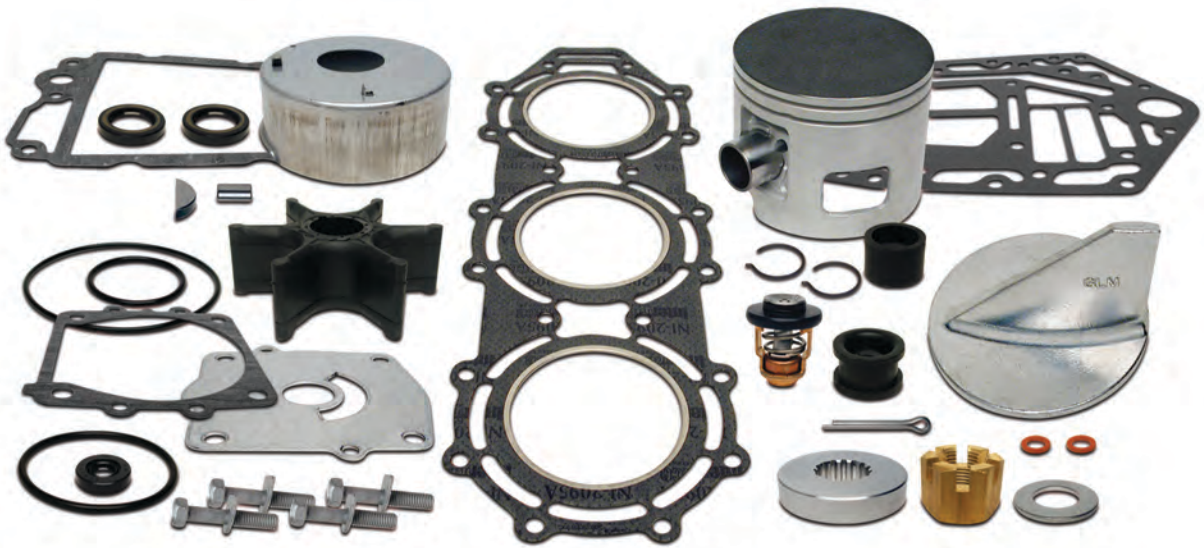




www.glmmarine.com



Quality Replacement Parts for
Yamaha®



GLM Products, Inc. is committed to producing the highest quality and cost efficient aftermarket marine products in the industry. At GLM, we use only the highest quality materials and most advanced technology for our product line, enabling us to produce the most reliable and compatible products for the marine aftermarket parts industry.

GLM offers an exciting line of exceptional products, which are brand new from factory and compatible and interchangeable with OEM application. Our in-house design and engineering teams enable us to make improvements on original OEM materials and designs. At GLM, we strive to include all new advancements, improvements, and superior materials with the ever-changing world of technology.

Consider the many additions to GLM's line over the past several years. No other aftermarket manufacturer can compare with our variety of products being offered that GLM has developed and re-designed. When you invest in a GLM product, you can be assured that you are receiving the highest quality aftermarket marine part available. GLM's innovation and exclusive aftermarket products keep us the only source for all your boat repair or maintenance needs.

At GLM Products, Inc. we deliver the highest quality and most complete line of over 4,000 aftermarket marine parts sold worldwide. At GLM, we are...

...the Leader of the Aftermarket Marine Parts Industry!



Contents of this catalog are copyrighted. Reproduction of any or all of its contents is prohibited. We have prepared this catalog to provide you with information that is helpful and accurate as possible. Although care has been taken to assure the accuracy of the data presented in this catalog, GLM Products, Inc. does not assume any liability for errors or omissions. All illustrations, photos, etc. used in this catalog are intended as representative views for reference only. MerCruiser and Mercury/Mariner/Force are registered trademarks of the Brunswick Corporation; OMC Cobra and OMC Stringer are registered trademarks of Outboard Marine Corporation; Volvo Penta is a registered trademark of AB Volvo; Johnson/Evinrude are registered trademarks of Bombardier Motor Corporation of America; Yamaha is a registered trademark of Yamaha Motor Company, U.S.A.; GLM is a registered trademark of GLM Products, Inc. Copyright © 2018.

TABLE OF CONTENTS

YAMAHA	
<i>Gearcase Exploded Views</i> Yamaha	Section 1
Yamaha Gearcase Components - 9.9 & 15 HP (1986 & Up)	6-7
Yamaha Gearcase Components - 9.9 & 15 HP (1996-2013)	8-9
Yamaha Gearcase Components - 20 & 25 HP 2-Cylinder (1988-2010) ...	10-11
Yamaha Gearcase Components - F-25 (1998 & Up) & C-30 HP (1993-97)	12-13
Yamaha Gearcase Components - 25, 30, 40 & 50 HP	14-15
Yamaha Gearcase Components - C-25 & C-30 HP	16-17
Yamaha Gearcase Components - 25, 30 & 40 HP	18-19
Yamaha Gearcase Components - C/CV-40 HP	20-21
Yamaha Gearcase Components - 30, 40, E48, 50, P50, 55 & 60 HP	22-23
Yamaha Gearcase Components - 40, 50 & 60 HP	24-25
Yamaha Gearcase Components - C/CV-55 HP	26-27
Yamaha Gearcase Components - C/P/E/T-60 & C-70 HP	28-29
Yamaha Gearcase Components - 60, 70, 75, 85 & 90 HP	30-31
Yamaha Gearcase Components - F-75, F-80, F-90 & F-100 HP	32-33
Yamaha Gearcase Components - 115, 130 HP (All F, LF & C)	34-35
Yamaha Gearcase Components - 150, 175, 200, 220 HP	36-37
Yamaha Gearcase Components - VF-200-VF-250 HP	38-39
Yamaha Gearcase Components - VZ-200, 225, 250 & 300 HP	40-41
Yamaha Gearcase Components - 220-225 HP	42-43
Yamaha Gearcase Components - 225, 250 & 300 HP V6	44-45
Yamaha Gearcase Components - 300 & 350 HP V8	46-47
<i>Gearcase Seal Kits</i> Yamaha	Section 2
Yamaha Gearcase Seal Kits - 9.9 HP thru 350 HP	50-54
Yamaha Gearcase Seal Kits Applications	55-56
Yamaha Gearcase Seal Kit Components - Damper, Seals & Grommets	57
Yamaha Gearcase Seal Kit Components - Misc. Gaskets & Seals	57
Yamaha Gearcase Seal Kit Components - Water Pump Gaskets	57-58
Yamaha Gearcase Seal Kit Components - Muffler Gaskets & Seals ..	59
Yamaha Gearcase Seal Kit Components - O-rings	60-61
Yamaha Gearcase Seal Kit Components - Oil Seals	62
<i>Cooling System</i> Yamaha	Section 3
Yamaha Water Pump Impellers & Impeller Kit	64-65
Yamaha Water Pump Kits - 9.9-15 HP (1986 & Up), (1996-13)	66-67
Yamaha Water Pump Kits - 20-25 HP (1988-2010)	68
Yamaha Water Pump Kits - 25 & 30 HP	69
Yamaha Water Pump Kits - 25, 30, 40 & 50 HP, 3-Cyl.	70
Yamaha Water Pump Kits - F-25 & C-30 HP	71
Yamaha Water Pump Kits - T-25, F-30 & F-40 HP 4-Stroke	72
Yamaha Water Pump Kits - 30, 40, E48, 50, 55 & 60 HP	73
Yamaha Water Pump Kits - 40-60 HP	74
Yamaha Water Pump Kits - C/CV-40 HP	75
Yamaha Water Pump Kits - 50-70 HP	76
Yamaha Water Pump Kits - C/CV-55 HP	77
Yamaha Water Pump Kits - 60, 70, 75, 85 & 90 HP	78
Yamaha Water Pump Kits - F-75, F-80, F-90 & F-100 HP	79
Yamaha Water Pump Kits - 115-300 HP Quick Guide	80
Yamaha Water Pump Service Kits - 115-300 HP	81
Yamaha Water Pump Kits - 115 HP 4-Stroke	82
Yamaha Water Pump Kits - 115-130 HP 2 & 4-Stroke	83
<i>Cooling System</i> Yamaha	Section 3 Cont...
Yamaha Water Pump Kits - 115 HP & 150 HP 2-Stroke	84
Yamaha Water Pump Kits - 150-300 HP 2-Stroke	85
Yamaha Water Pump Kits - 150-300 HP 2 & 4-Stroke	86
Yamaha Water Pump Kits - VF-200-VF-250 HP 4-Stroke	87
Yamaha Water Pump Kits - F-225-F-300 HP V6	88
Yamaha Water Pump Kits - 250 HP 4-Stroke	89
Yamaha Water Pump Kits - 300-350 HP V8 4-Stroke	90
Yamaha Water Pump Kit Applications	91-93
Yamaha Thermostats	94
Yamaha Thermostat Applications	95
<i>Pistons</i> Yamaha	Section 4
GLM Exclusive Marine Pistons	98
Yamaha Inline 48, 55, 75, 80, 85, 90 HP Pistons	99
Yamaha 115, 130, 150, 175, 200, 225 HP V4 & V6 Pistons	100-101
Yamaha 200, 225, 250 HP V6 Pistons	102
<i>Powerhead Gaskets</i> Yamaha	Section 5
Yamaha Head Gaskets	104
Suzuki Head Gaskets	105
Exhaust Manifold Gaskets	106
Powerhead Gaskets	107
<i>Fuel System</i> Yamaha	Section 6
Fuel Pumps & Diaphragm Kits	110
GLM's Plastic Inline Fuel Filters	110
Low Pick-up Water / Fuel Separator Mounting Bracket	111
How to Choose the Correct Water / Fuel Separator	112
Stainless Steel Brackets / Die Cast Aluminum Brackets	112
Water Separating Fuel Filter Kits	113
Carburetor Kits	114-115
Carburetor Kits Application	116
<i>Aluminum Anodes & Prop Kits</i> Yamaha	Section 7
Yamaha Aluminum Anodes	118-121
Suzuki Aluminum Anodes	122
Honda Aluminum Anodes	123
Yamaha Prop Nut Kits & Prop Wrench	124-125
<i>Oil Seals Shaft & Bore Size Charts - Year/Model Index - Warranty</i> Yamaha	Section 8
Yamaha - Oil Seals Shaft & Bore Size Charts	128
Yamaha - All Years and Models (1984-1989)	129
Yamaha - All Years and Models (1989 cont.-1992)	130
Yamaha - All Years and Models (1992 cont.-1995)	131
Yamaha - All Years and Models (1995 cont.-1997)	132
Yamaha - All Years and Models (1997 cont.-1999)	133
Yamaha - All Years and Models (1999 cont.-2002)	134
Yamaha - All Years and Models (2002 cont.-2004)	135
Yamaha - All Years and Models (2004 cont.-2006)	136
Yamaha - All Years and Models (2006 cont.)	137
GLM Limited Warranty, Procedures & Application	138-140



Section 1

Yamaha

Gearcase Exploded Views

<i>Yamaha Gearcase Components - 9.9 & 15 HP (1986 & Up)</i>	6-7
<i>Yamaha Gearcase Components - 9.9 & 15 HP (1996-2013)</i>	8-9
<i>Yamaha Gearcase Components - 20 & 25 HP 2-Cylinder (1988-10)</i> ...	10-11
<i>Yamaha Gearcase Components - F-25 & C-30 HP</i>	12-13
<i>Yamaha Gearcase Components - 25, 30, 40 & 50 HP</i>	14-15
<i>Yamaha Gearcase Components - C-25 & C-30 HP</i>	16-17
<i>Yamaha Gearcase Components - 25, 30 & 40 HP</i>	18-19
<i>Yamaha Gearcase Components - C/CV-40 HP</i>	20-21
<i>Yamaha Gearcase Components - 30, 40, E48, 50, P50, 55 & 60 HP</i> ..	22-23
<i>Yamaha Gearcase Components - 40, 50 & 60 HP</i>	24-25
<i>Yamaha Gearcase Components - C/CV-55 HP</i>	26-27
<i>Yamaha Gearcase Components - C/P/E/T-60 & C-70 HP</i>	28-29
<i>Yamaha Gearcase Components - 60, 70, 75, 85 & 90 HP</i>	30-31
<i>Yamaha Gearcase Components - F-75, F-80, F-90 & F-100 HP</i>	32-33
<i>Yamaha Gearcase Components - 115, 130 HP (All F, LF & C)</i>	34-35
<i>Yamaha Gearcase Components - 150, 175, 200, 220 HP</i>	36-37
<i>Yamaha Gearcase Components - VF-200-VF250 HP</i>	38-39
<i>Yamaha Gearcase Components -VZ-200, 225, 250 & 300 HP</i>	40-41
<i>Yamaha Gearcase Components - 220-225 HP</i>	42-43
<i>Yamaha Gearcase Components - 225, 250 & 300 HP V6</i>	44-45
<i>Yamaha Gearcase Components - 300 & 350 HP V8</i>	46-47

Yamaha

YAMAHA GEARCASE COMPONENTS - 9.9 & 15 HP (1986 & Up)

9.9 (1984-85, 1995), F9.9 (1986, 1995-96, 2006 4-Stroke), FT9.9 (1987)
 T9.9 (1995, 1997, 2006 4-Stroke), 15 (1984, 1988, 1995)

Complete Water
 Pump Kits

No. 12281 / 12269



1

Water Pump Kits
 w/o Housing

No. 12278 / 12273



2

Water Pump
 Hsg. Assembly

No. 12448



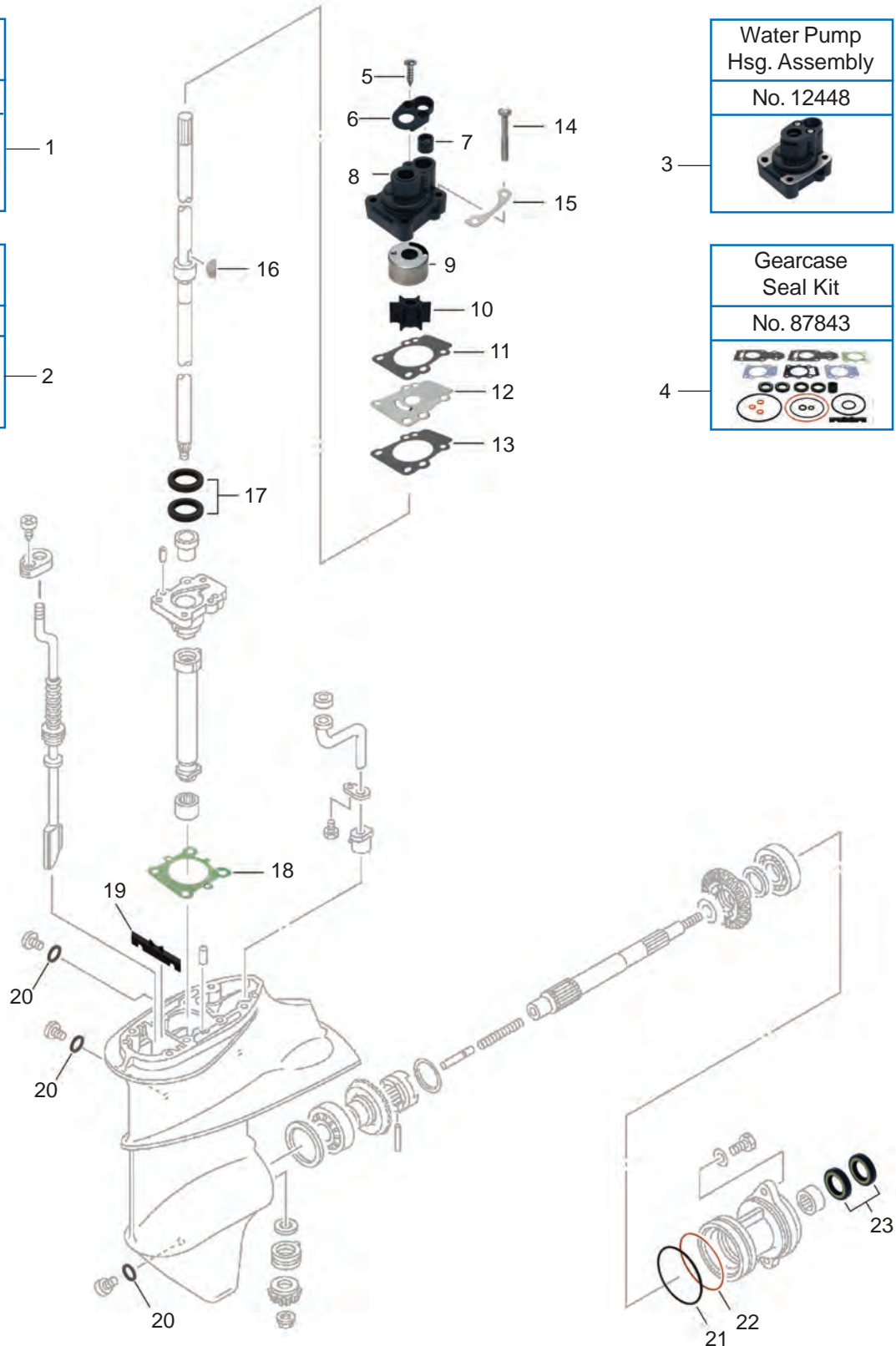
3

Gearcase
 Seal Kit

No. 87843



4



Yamaha

YAMAHA GEARCASE COMPONENTS - 9.9 & 15 HP (1996-2013)

Fits Models:

F6 (2001-06), F8 (2001-06), T8 (2001-06) 9.9 (1996-06), F9.9 (2003,2006),
T9.9 (2003, 2006), 15 (1996-01, 2003, 2006), F-15 (1998-06)

Complete Water
Pump Kits

No. 12087 / 12129



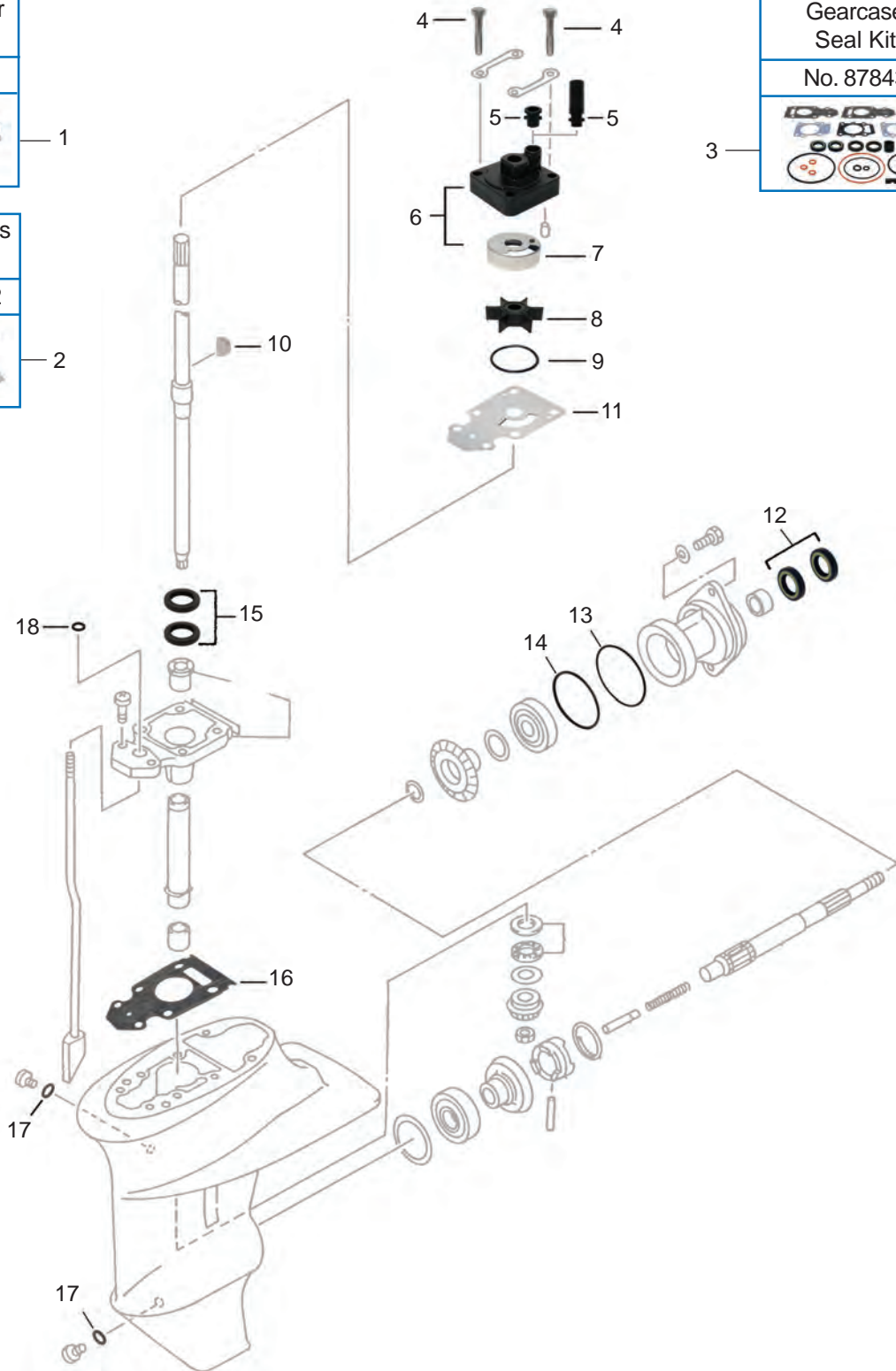
Water Pump Kits
w/o Housing

No. 12066 / 12052



Gearcase
Seal Kit

No. 87843



Yamaha

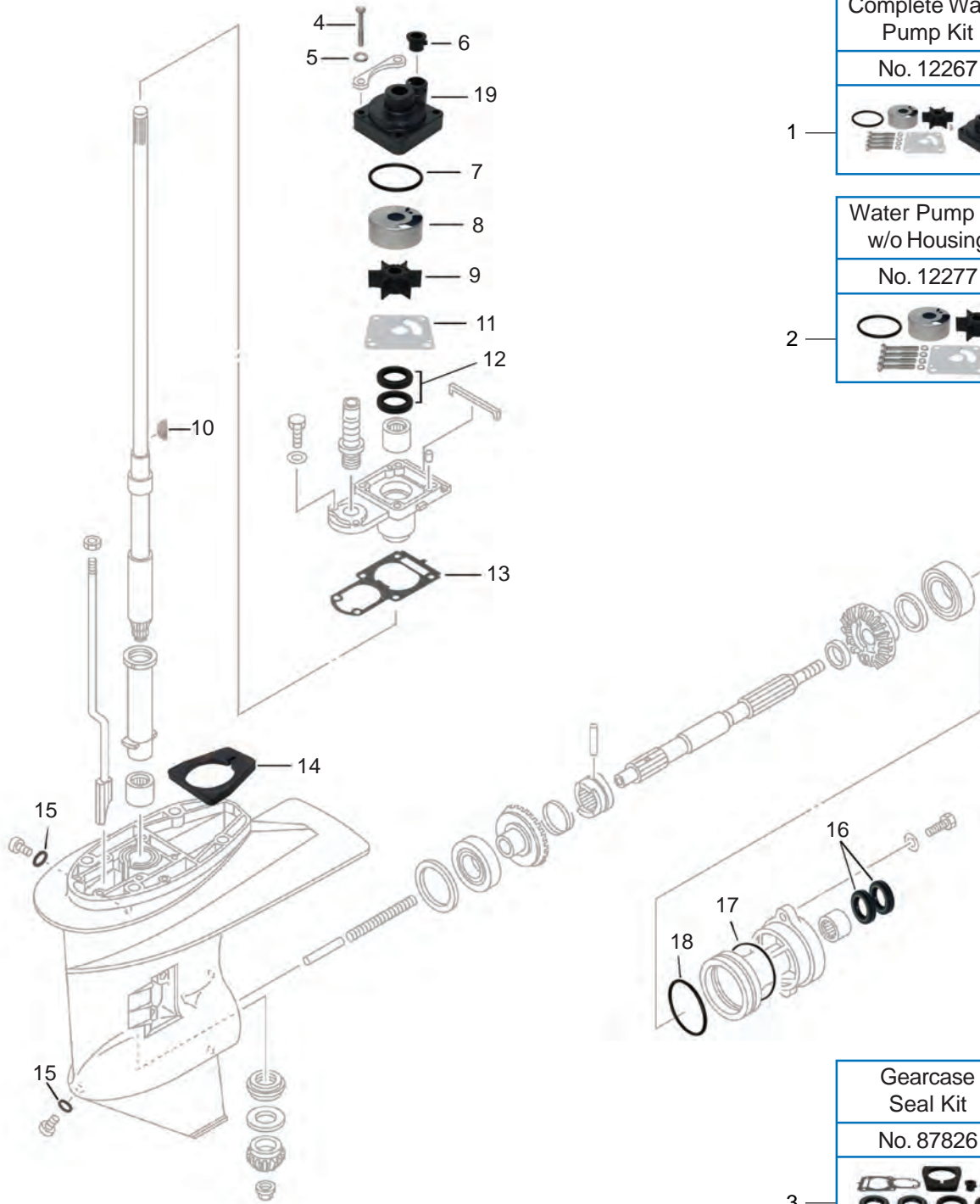
YAMAHA GEARCASE COMPONENTS - 9.9 & 15 HP (1996-2013)

GLM No.	Ref No.	OEM No.	Description
12087	1	63V-W0078-01 + 63V-44301-00-00	Complete Water Pump Kit (For 63V-W0078-01)
12129	1	69G-W0078-01 + 63V-44301-00-00	Complete Water Pump Kit (For 69G-W0078-01)
12066	2	63V-W0078-02	Water Pump Kit w/o Housing
12052	2	69G-W0078-00	Water Pump Kit w/o Housing
87843	3	N/A	Gearcase Seal Kit
22502	4◆+	97080-08045-00	Bolt (4) (For 63V-W0078-01)
22428	4!-	97095-08045-00	Bolt (4) (For 69G-W0078-01)
12865	5◆+	647-44366-00	Water Seal Damper (For 63V-W0078-01)
86324	5!-	68T-44366-00	Water Seal Damper (For 69G-W0078-01)
12445	6◆!	63V-44301-00-00	Water Pump Housing
12809	7◆!+-	63V-44322-00	Pump Cup
89619	8◆!+-	63V-44352-01	Impeller
84370	9◆!+-	93210-44704-00	O-ring
89589	10◆!+-	664-44338-00	Key, woodruff
12517	11◆+	63V-44323-00	Wear Plate (For 63V-W0078-01)
12516	11!-	68T-44323-00	Wear Plate (For 69G-W0078-01)
85660	12•	93101-17054	Oil Seal, Prop Shaft (2)
84350	13•	93210-56M80	O-Ring, Bearing Carrier
84360	14•	93210-57M09-00	O-Ring, Bearing Carrier
85232	15•	93102-20484	Oil Seal, Water Pump Base (2)
38130	16•	63V-45315-A0	Gasket, Water Pump (For 63V-W0078-01)
38140	16•	69G-45315-A0-00	Gasket, Water Pump (For 69G-W0078-01)
38015	17•	90430-08020	Gasket, Drain Fill (2)
45340	18•	93210-06ME6-00	O-ring, Shift Shaft
◆	Included in Kit No. 12087		
!	Included in Kit No. 12129		
+	Included in Kit No. 12066		
-	Included in Kit No. 12052		
•	Included in Kit No. 87843		

Yamaha

YAMAHA GEARCASE COMPONENTS - 20 & 25 HP - 2-CYL. (1988-2010)

Fits Models:
20 (1996-97), 25 (1988-98, 2000-01, 2003-04)



Complete Water
Pump Kit

No. 12267



Water Pump Kit
w/o Housing

No. 12277



Gearcase
Seal Kit

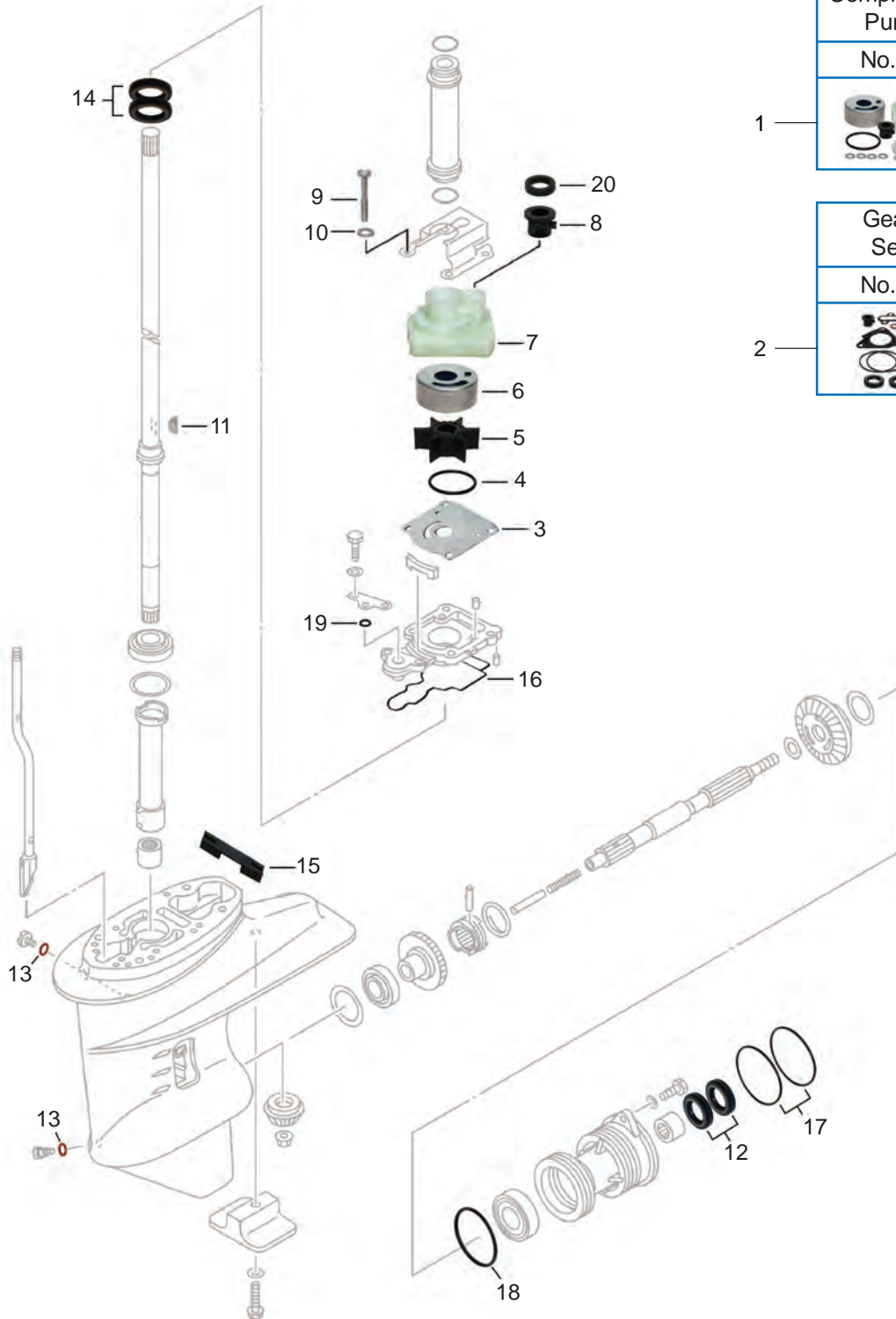
No. 87826



Yamaha

YAMAHA GEARCASE COMPONENTS - F-25 & C-30 HP

Fits Models:
4-Stroke: F-25HP (1998 & Up) &
2-Stroke: C-30HP (1993-97)



Yamaha

YAMAHA GEARCASE COMPONENTS - F-25 & C-30 HP

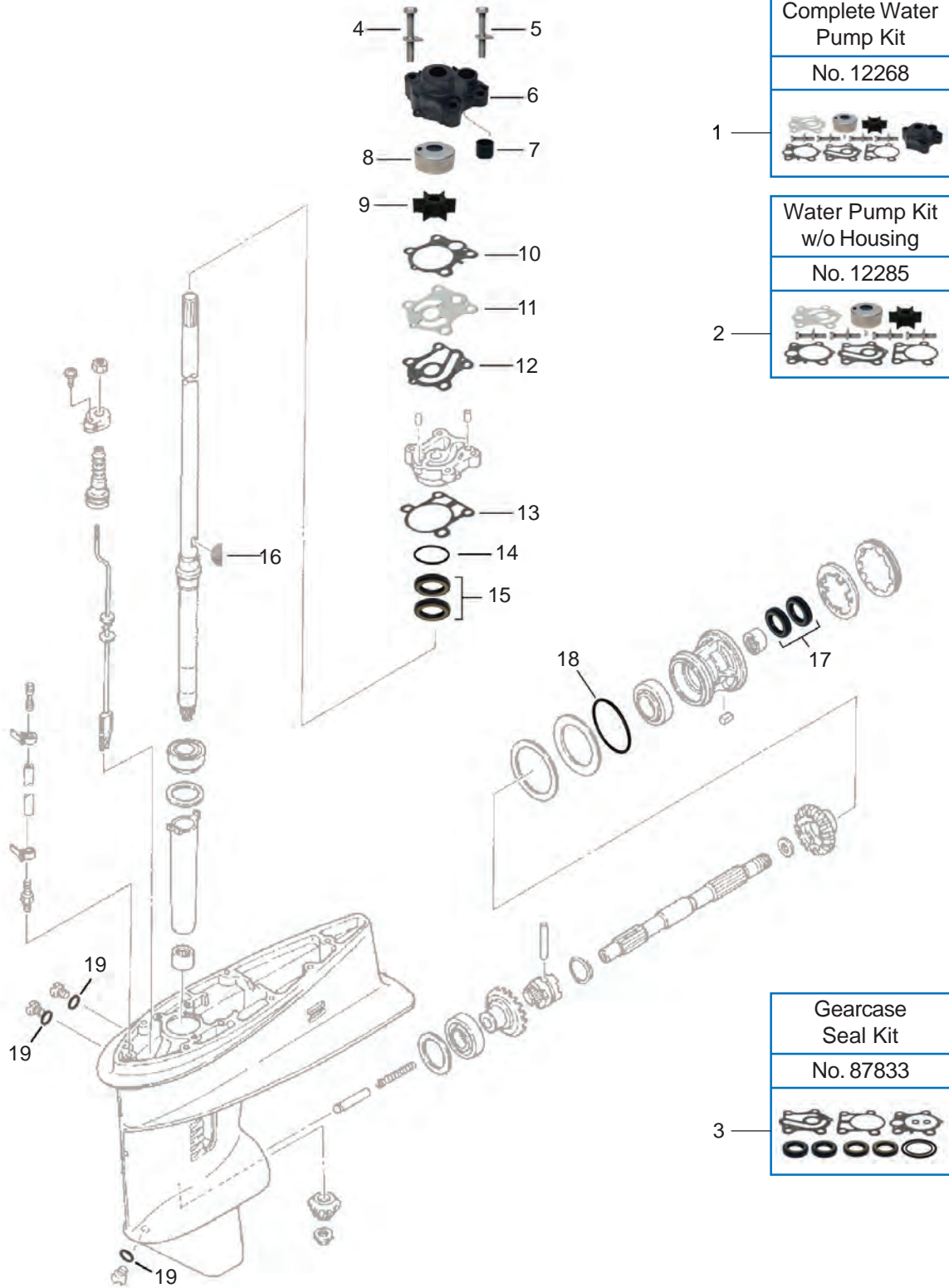
GLM No.	Ref No.	OEM No.	Description
12127	1	61N-W0078-11-00	Complete Water Pump Kit
87846	2	65W-W0001-20	Gearcase Seal Kit
12533	3◆	61N-44323-00-00	Wear Plate
84310	4◆•	93210-45161-00	O-ring
89900	5◆	6H4-44352-02-00	Impeller
12807	6◆	61N-44322-01-00	Pump Cup
12453	7◆	61N-44311-01-00	Water Pump Housing
38304	8◆•	6L2-44367-00-00	Damper, Water Seal
22428	9◆	97095-06040-00	Bolt (4)
21724	10◆	92990-06600-00	Washer (4)
89587	11◆	90280-03024-00	Key, woodruff
85231	12•	93101-20M07-00	Oil Seal
38015	13•	90430-08020-00	Gasket
85225	14•	93101-22067	Oil Seal
85625	15•	65W-45128-00	Seal
85621	16•	61N-45315-00	Packing, Lower Casing
84002	17•	93210-65M50-00	O-ring
84001	18•	93210-64ME7-00	O-ring
45340	19•	93210-06ME6-00	O-ring
38025	20•	90430-12072-00	Gasket
	◆	Included in Kit No. 12127	
	•	Included in Kit No. 87846	

Yamaha

YAMAHA GEARCASE COMPONENTS - 25, 30, 40 & 50 HP

Fits Models:

3-Cyl. 25 (1999, 2001-02) 30 (1997-99, 2001-02), 40 & 50HP

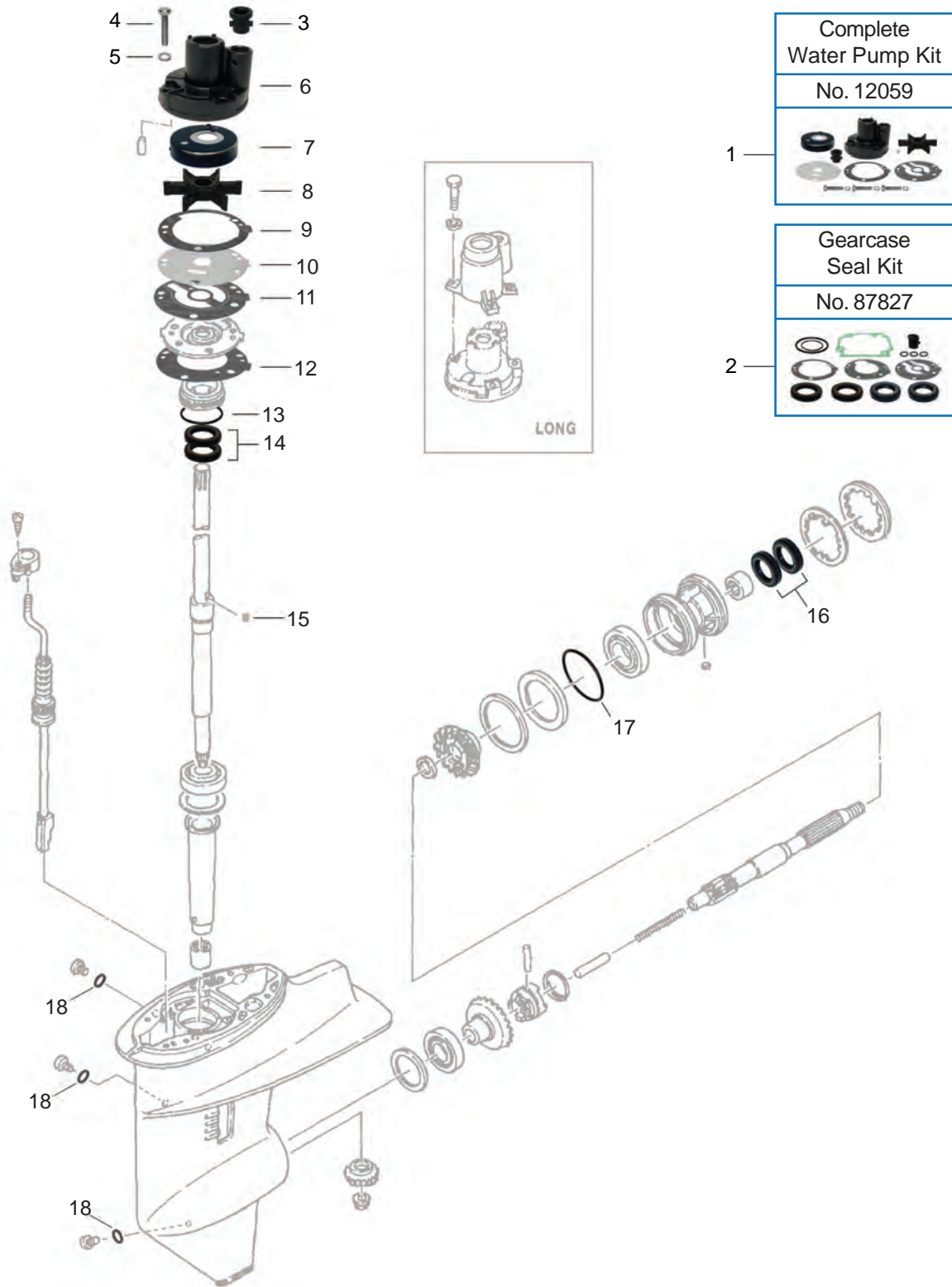


Yamaha

YAMAHA GEARCASE COMPONENTS - C25 & C30 HP

Fits Models:

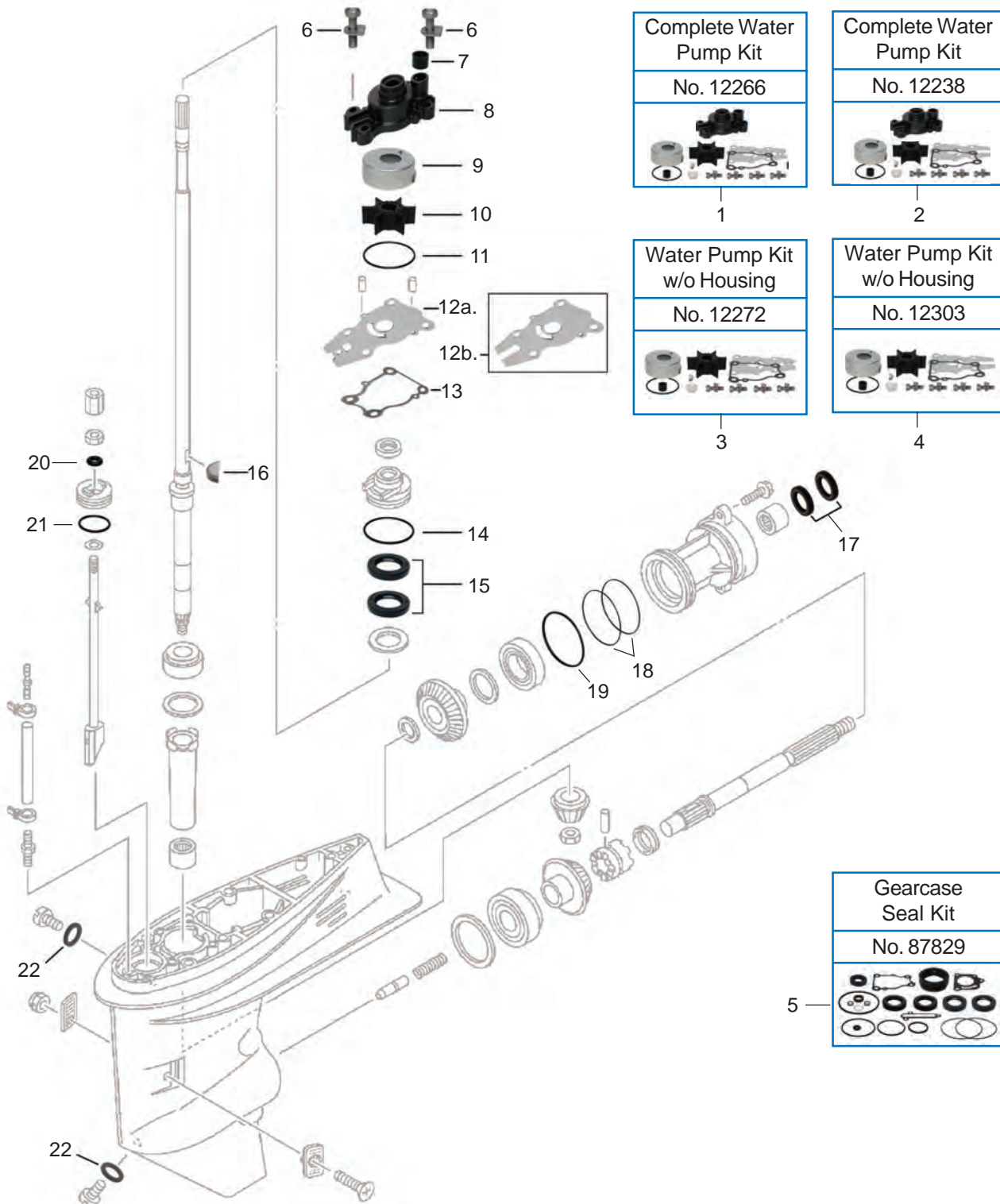
25 (1984-87), C/CV25 (1990-97), 30 (1984-86), C/CV 30 (1986-92)



Yamaha

YAMAHA GEARCASE COMPONENTS - 25, 30 & 40 HP

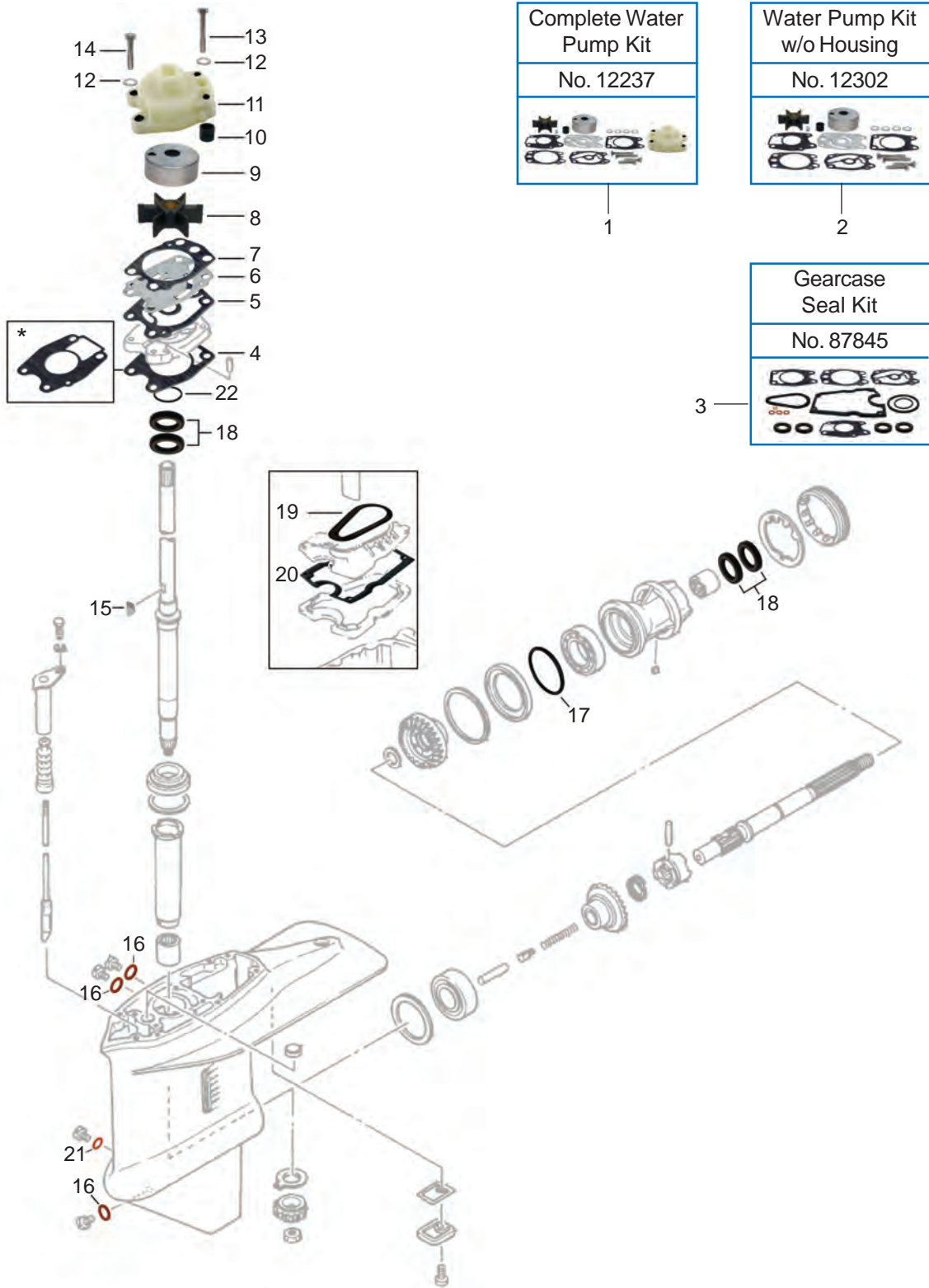
Fits Models:
T-25HP (2001 & Up), F-30HP (2001 & Up), F-40HP (2000 & Up) & F-40HP (2009-13)



Yamaha

YAMAHA GEARCASE COMPONENTS - C/CV-40 HP

Fits Models:
C/CV-40 (1990-97)

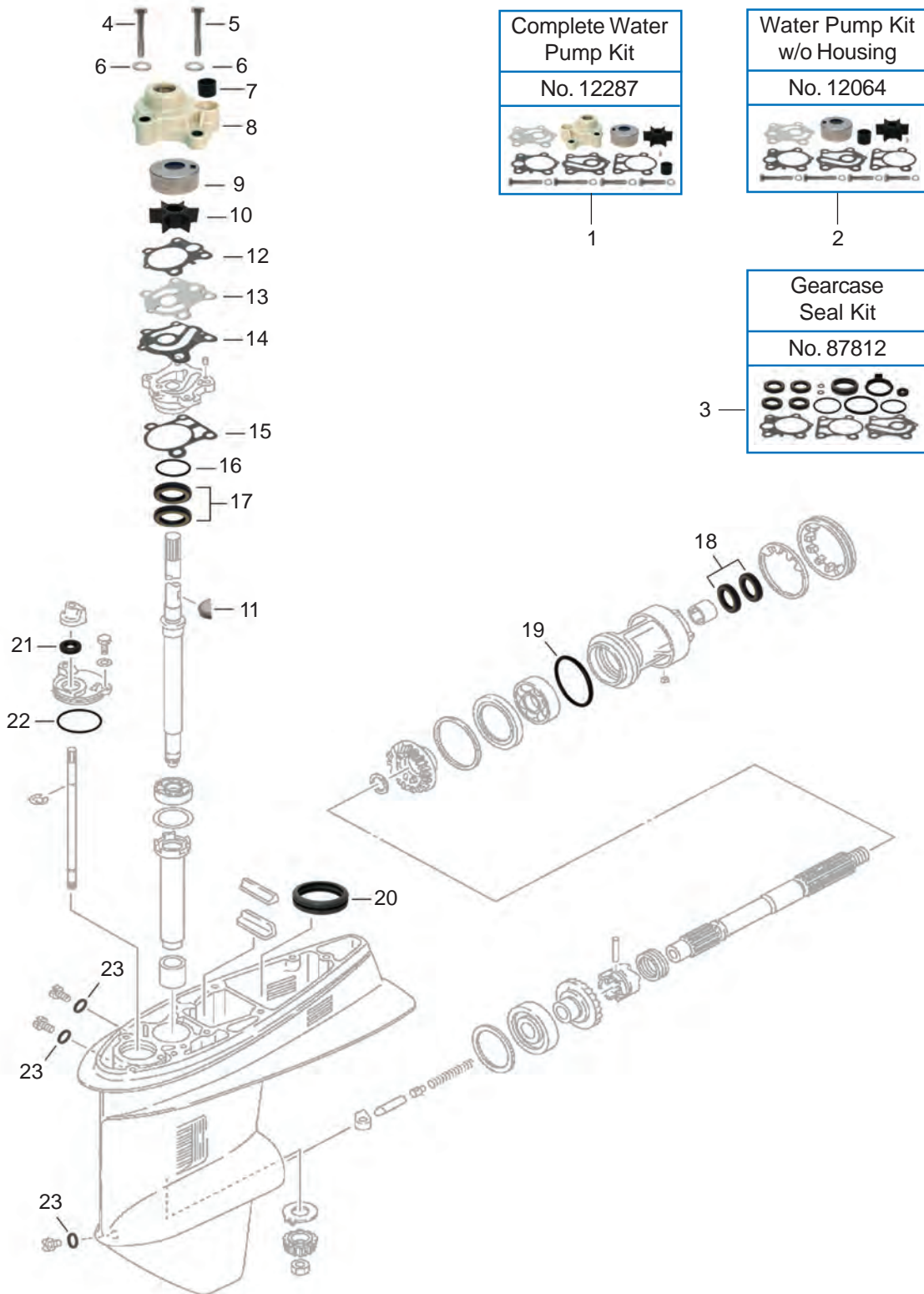


Yamaha

YAMAHA GEARCASE COMPONENTS - 30, 40, E48, 50, P50, 55 & 60 HP

Fits Models:

40, P40 (1984-94), 48HP, 50 (1984-94), C-55 (1989-95), P-50 (1987-94) & 55HP



Yamaha

YAMAHA GEARCASE COMPONENTS - 30, 40, E48, 50, P50, 55 & 60 HP

GLM No.	Ref No.	OEM No.	Description
12287	1	6H4-W0078-A0 + 663-44311-02-00	Complete Water Pump Kit
12064	2	6H4-W0078-A0	Water Pump Kit w/o Housing
87812	3	698-W0001-21	Gearcase Seal Kit
22503	4◆+	97080-08055	Bolt (2)
22502	5◆+	97080-08045	Bolt (2)
21720	6◆+	92995-08600-00	Washer (4)
12875	7◆+	663-44366-00	Damper, Water Seal
12446	8◆	663-44311-02-00	Water Pump Housing
12864	9◆+	663-44322-00	Pump Cup
89900	10◆+	6H4-44352-00-00	Impeller
89587	11◆+	90280-03024-00	Key, woodruff
38106	12◆+•	663-44315-A0	Gasket, Water Pump
12526	13◆+	663-44323-00	Wear Plate
38011	14◆+•	663-44324-A0	Gasket, Wear Plate
38010	15◆+•	663-443160-A0	Gasket, Water Pump
84260	16•	93210-41042	O-ring
85228	17•	93101-23070	Oil Seal
85225	18•	93101-22067	Oil Seal
84265	19•	93210-66M98	O-ring
38032	20•	663-45123-00	Gasket, Muffler
38036	20•	688-45123-00	Gasket, Muffler
85223	21•	93106-09014	Oil Seal
84255	22•	93210-49046	O-ring
38015	23•	90430-08020	Gasket, Drain Fill
◆ Included in Kit No. 12287			
+ Included in Kit No. 12064			
• Included in Kit No. 87812			

Yamaha

YAMAHA GEARCASE COMPONENTS - 40, 50 & 60 HP

Fits Models:

C/CV-40HP (1998 & Up), 40/P-40HP (1995-05), F-50HP (1995 & Up), 50HP (1995 & Up),
T-50HP (1996-97), P50HP (1995-96), F60HP (2002 & Up)

Complete Water
Pump Kit

No. 12289



1

Water Pump Kit
w/o Housing

No. 12276



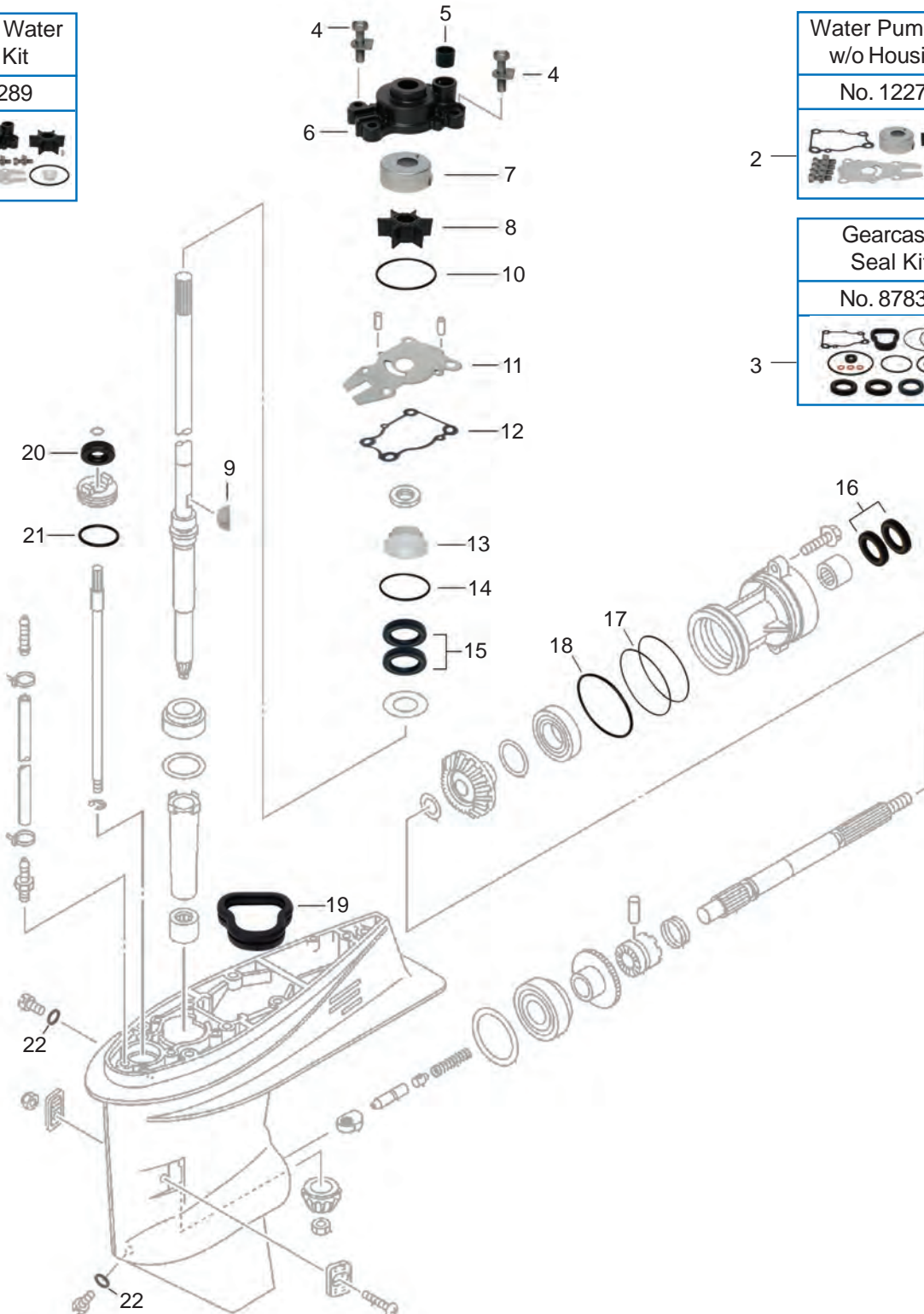
2

Gearcase
Seal Kit

No. 87834



3



Yamaha

YAMAHA GEARCASE COMPONENTS - C/CV-55 HP

Fits Models:
C/CV-55 (1989-95)

Complete Water
Pump Kit

No. 12288



1

Water Pump Kit
w/o Housing

No. 12279



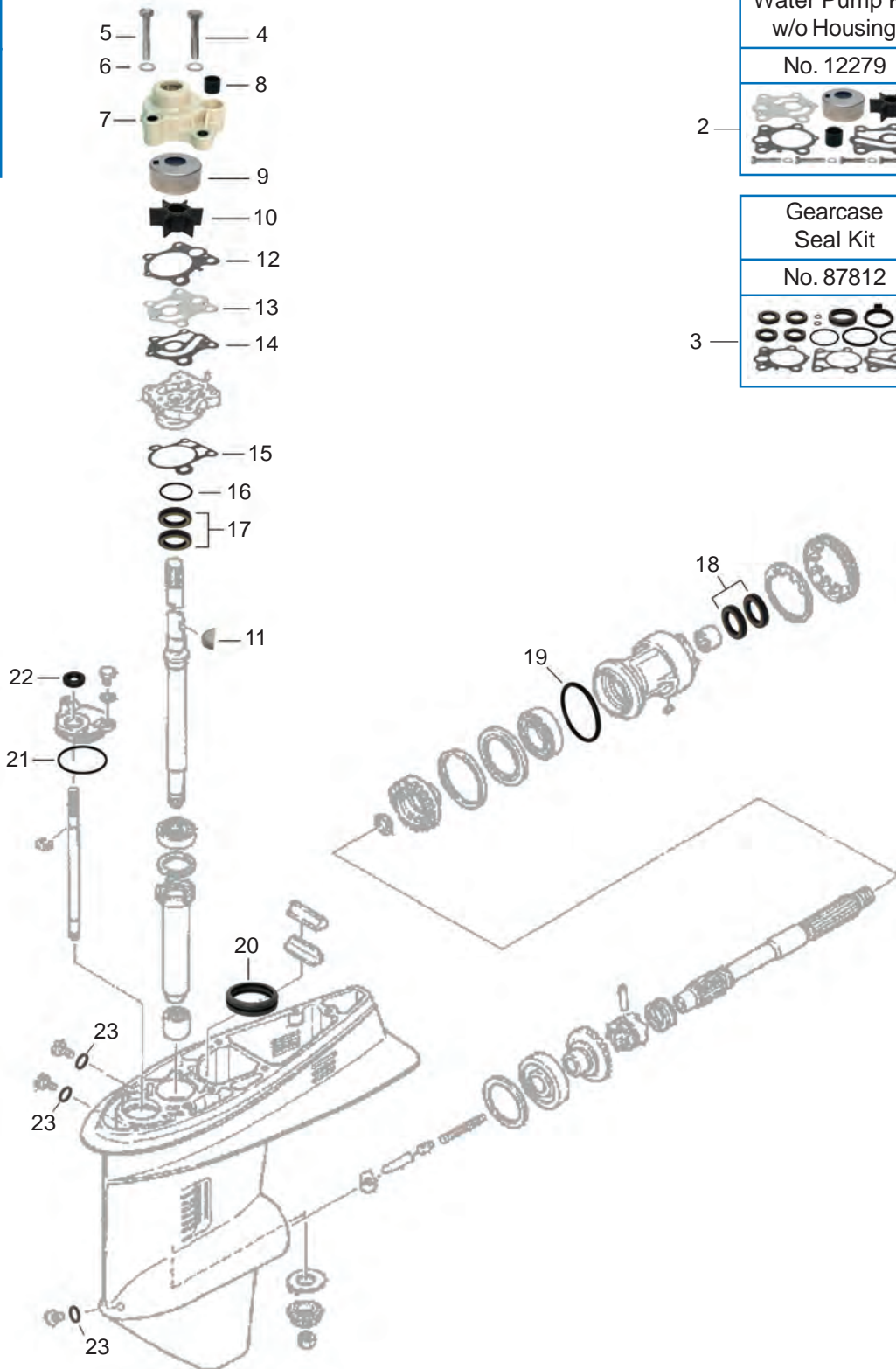
2

Gearcase
Seal Kit

No. 87812



3



Yamaha

YAMAHA GEARCASE COMPONENTS - C/P/E/T-60 & C70 HP

Fits Models:
C/P/E-60HP (1991-2001), T-60HP (2003 & Up), C70HP (1984-2003)

Complete Water
Pump Kit

No. 12291



1

Water Pump Kit
w/o Housing

No. 12283



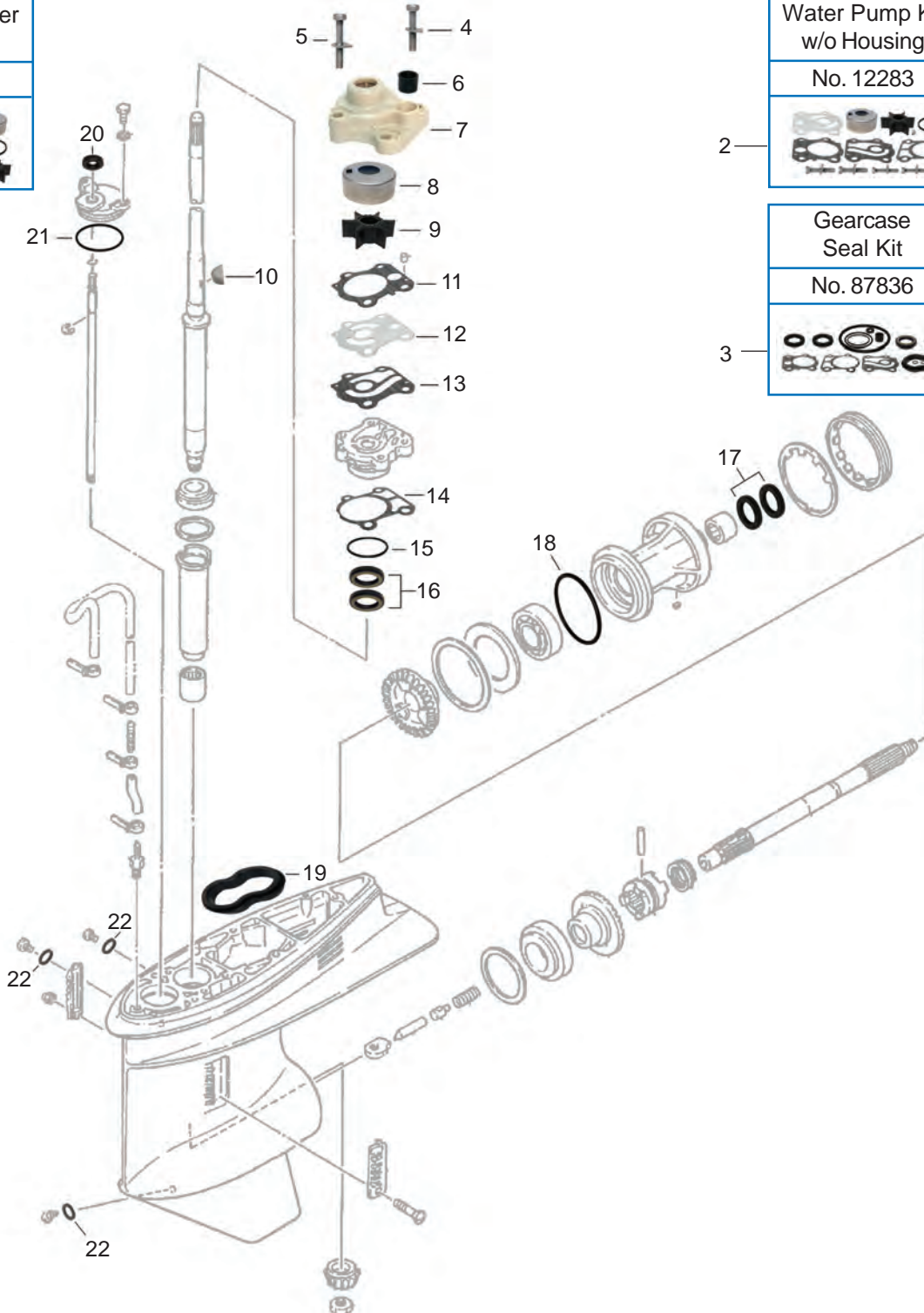
2

Gearcase
Seal Kit

No. 87836



3



Yamaha

YAMAHA GEARCASE COMPONENTS - C/P/E/T-60 & C70 HP

GLM No.	Ref No.	OEM No.	Description
12291	1	6H3-W0078-02 + 6H3-44311-02-00	Complete Water Pump Kit
12283	2	6H3-W0078-02	Water Pump Kit w/o Housing
87836	3	6H3-W0001-22	Gearcase Seal Kit
22504	4◆+	90119-08M14-00	Bolt w/ Washer (2)
22291	5◆+	90119-08M33-00	Bolt w/ Washer (2)
12875	6●	663-44366-00	Damper
12447	7◆	6H3-44311-02-00	Water Pump Housing
12864	8◆+	663-44322-00	Pump Cup
89910	9◆+	6H3-44352-00	Impeller
89599	10◆+	90280-02M03	Key, Woodruff
38004	11◆+	6H3-44315-A0	Gasket, Water Pump
12514	12◆+	6H3-44323-00	Wear Plate
38005	13◆+	6H3-44324-00	Gasket, Wear Plate
38002	14◆+	688-44316-A0	Gasket, Water Pump
84290	15◆+	93210-46044-00	O-ring
85228	16●	93101-23070	Oil Seal
85229	17●	93101-25M03	Oil Seal
84270	18●	93210-85M97	O-ring
38038	19●	6H3-45123-00	Gasket, Exhaust
85223	20●	93106-09014	Oil Seal
84255	21●	93210-49046	O-ring
38015	22●	90430-08020	Gasket, Drain Fill
◆ Included in Kit No. 12291 + Included in Kit No. 12283 ● Included in Kit No. 87836			

Yamaha

YAMAHA GEARCASE COMPONENTS - 60, 70, 75, 85 & 90 HP

Fits Models:

60HP (2004-05), 70HP (2004-09), C/P/E-75HP (1994-00), C/B-90HP (1984-09)

Complete Water
Pump Kit

No. 12293



1

Water Pump Kit
w/o Housing

No. 12282



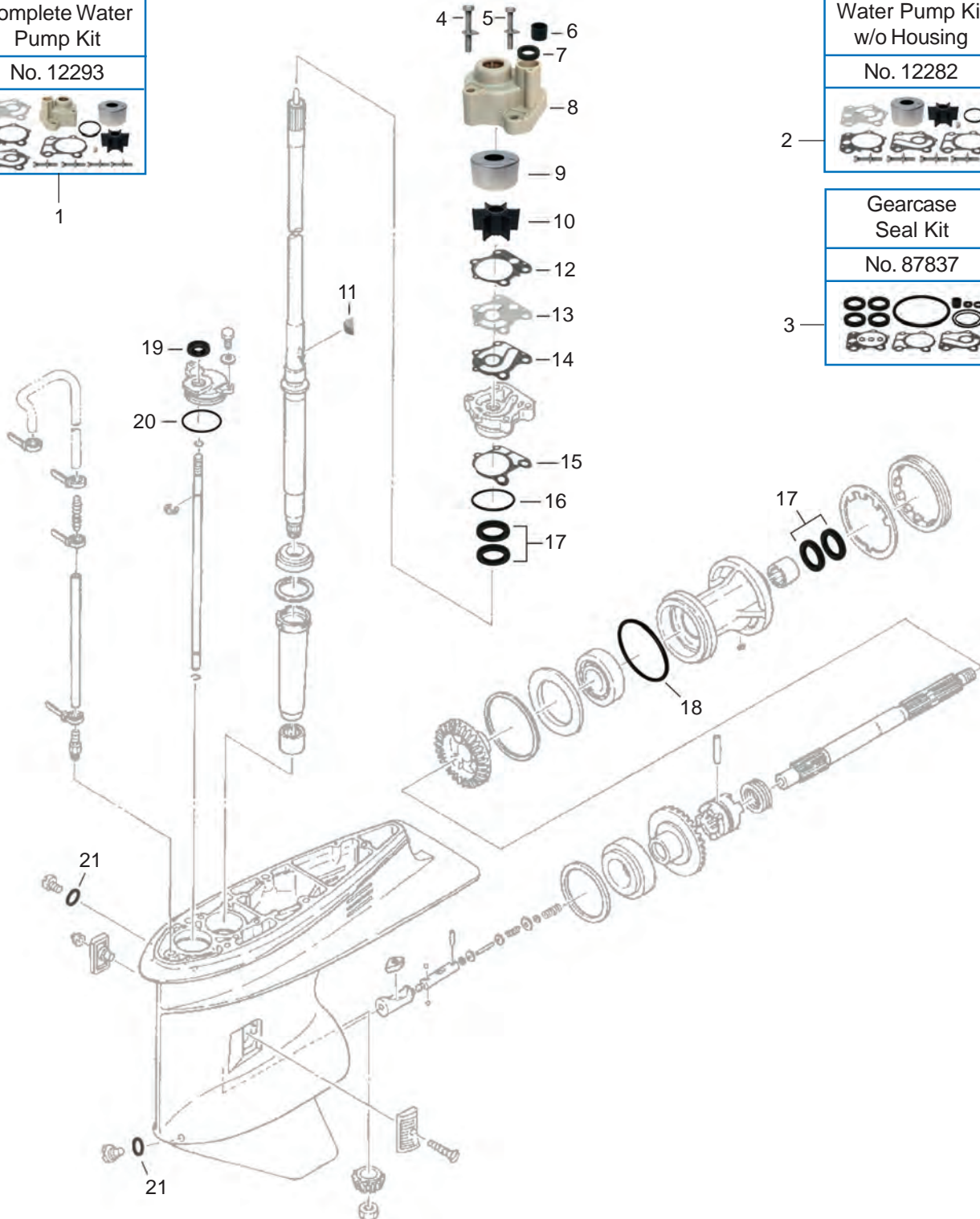
2

Gearcase
Seal Kit

No. 87837



3



Yamaha

YAMAHA GEARCASE COMPONENTS - 60, 70, 75, 85 & 90 HP

GLM No.	Ref No.	OEM No.	Description
12293	1	692-W0078-02 + 688-44311-01-00	Complete Water Pump Kit
12282	2	692-W0078-02	Water Pump Kit w/o Housing
87837	3	688-W0001-C0, 688-W000-1-22	Gearcase Seal Kit
22293	4♦+	90119-08M16-00	Bolt w/ Washer (2)
22508	5♦+	90119-08M13-00	Bolt w/ Washer (2)
12875	6•	663-44366-00	Damper
38025	7•	90430-12072	Gasket, Water Tube
12078	8♦	688-44311-01-00	Water Pump Housing
12862	9♦+	688-44322-00	Pump Cup
89920	10♦+	688-44352-03	Impeller
89595	11♦+	90280-04M04	Key, Woodruff
38001	12♦+•	688-44315-A0	Gasket, Water Pump
12513	13♦+	688-44323-00	Wear Plate
38003	14♦+•	688-44324-A0	Gasket, Wear Plate
38002	15♦+•	688-44316-A0	Gasket, Water Pump
84290	16♦+•	93210-46044-00	O-ring
85229	17•	93101-25M03	Oil Seal
84270	18•	93210-85M97	O-ring
85223	19•	93106-09014	Oil Seal
84255	20•	93210-49046	O-ring
38015	21•	90430-08020	Gasket, Drain Fill
♦ Included in Kit No. 12293			
+ Included in Kit No. 12282			
• Included in Kit No. 87837			

Yamaha

YAMAHA GEARCASE COMPONENTS - F-75, F-80, F-90 & F-100 HP

Fits Models:

F-75HP (2003 & Up), F-80HP (1999-03), F-90HP (2003 & Up), F-100HP (1999-03)

Complete Water
Pump Kit

No. 12295



19

Water Pump Kit
w/o Housing

No. 12275



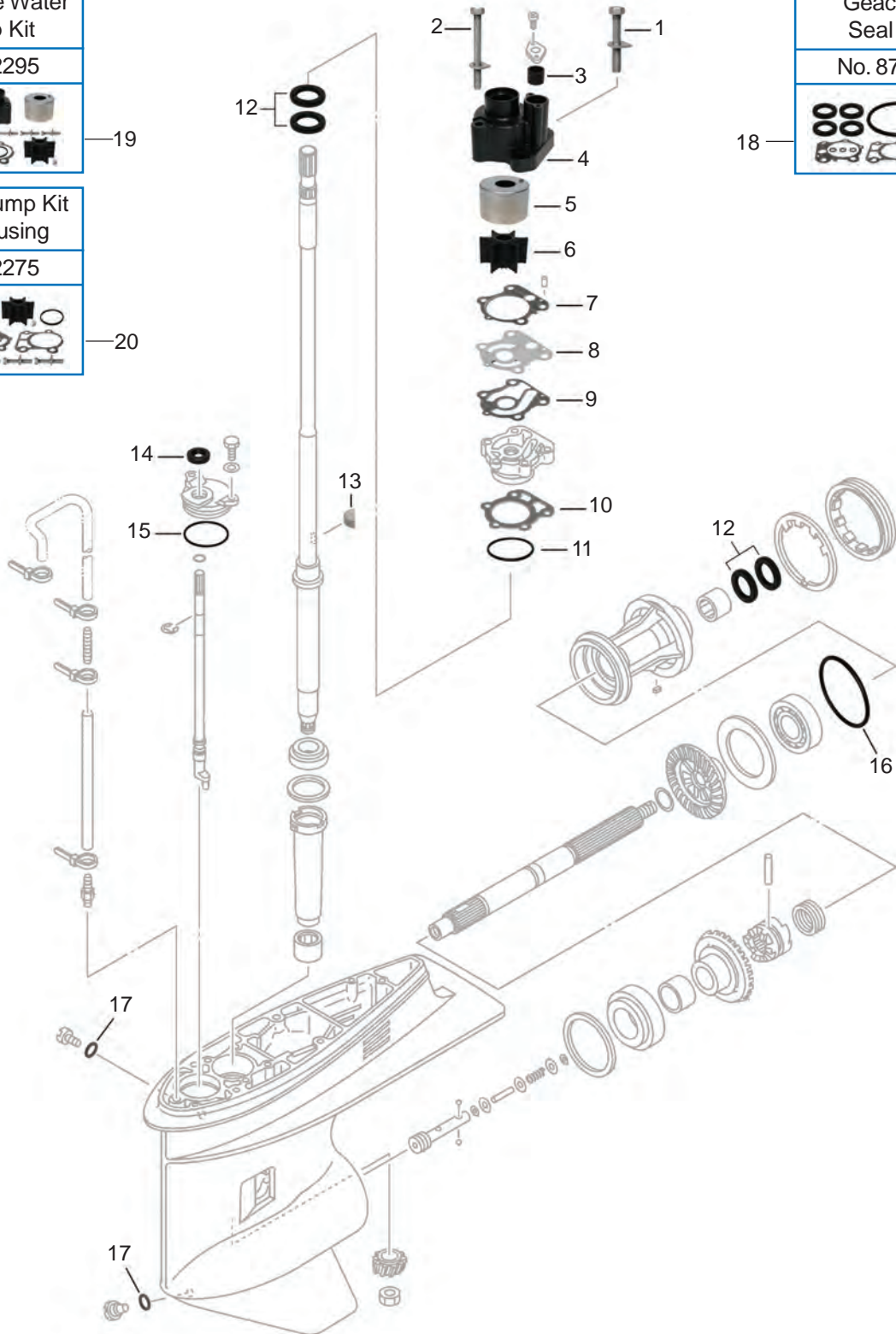
20

Geacase
Seal Kit

No. 87837



18



Yamaha

YAMAHA GEARCASE COMPONENTS - 115, 130 HP (All F, LF, & C)

Fits Models:
All 115 & 130HP (Except 115B)

Complete Water Pump Kit
No. 12296



Water Pump Kit w/o Housing
No. 12067




Complete Water Pump Kit
No. 12297



Water Pump Kit w/o Housing
No. 12286



Complete Water Pump Kit
No. 12086




Water Pump Kit w/o Housing
No. 12054



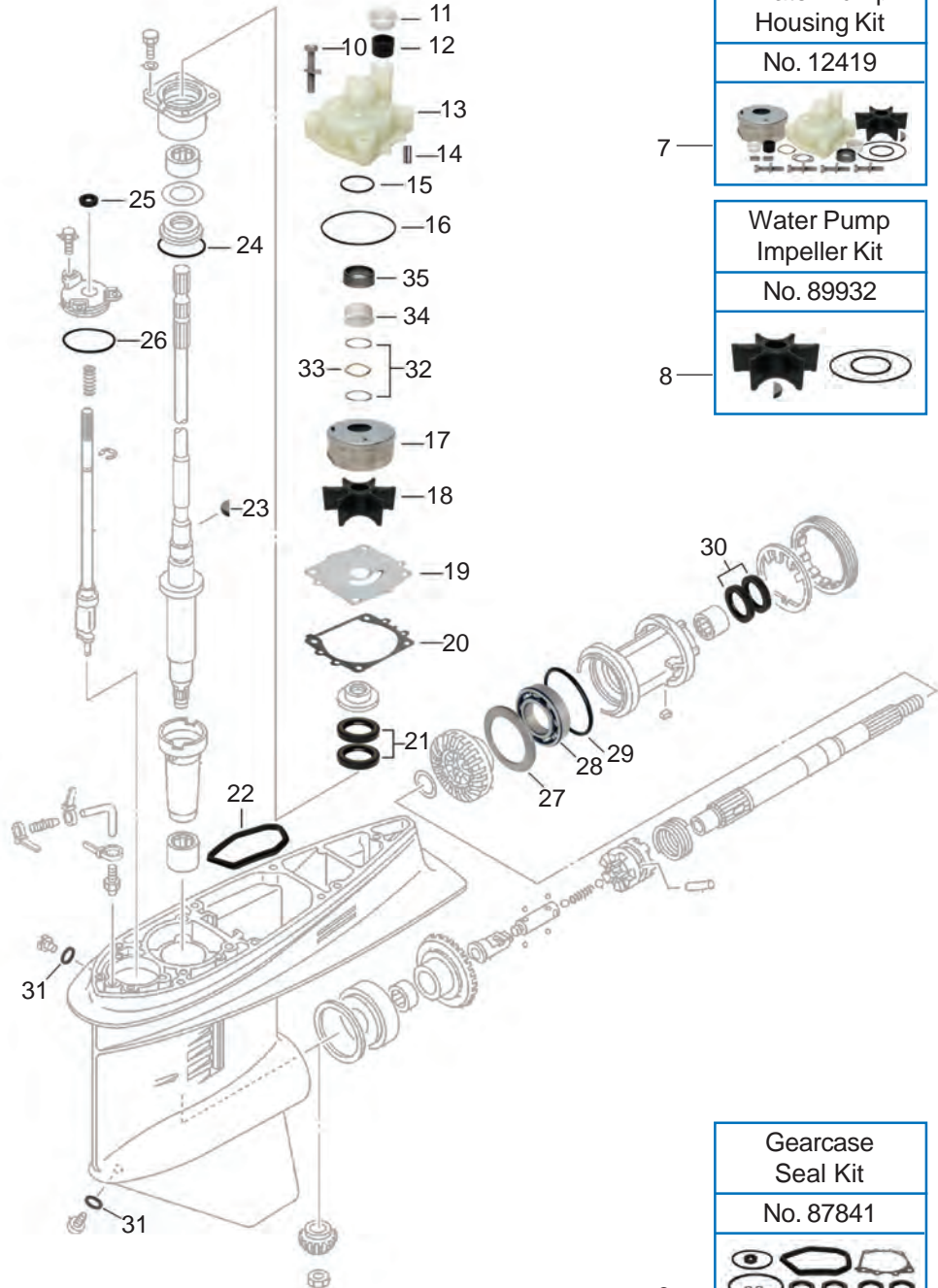
Water Pump Housing Kit
No. 12419



Water Pump Impeller Kit
No. 89932



Gearcase Seal Kit
No. 87841

Yamaha

YAMAHA GEARCASE COMPONENTS - 115, 130 HP (All F, LF, & C)

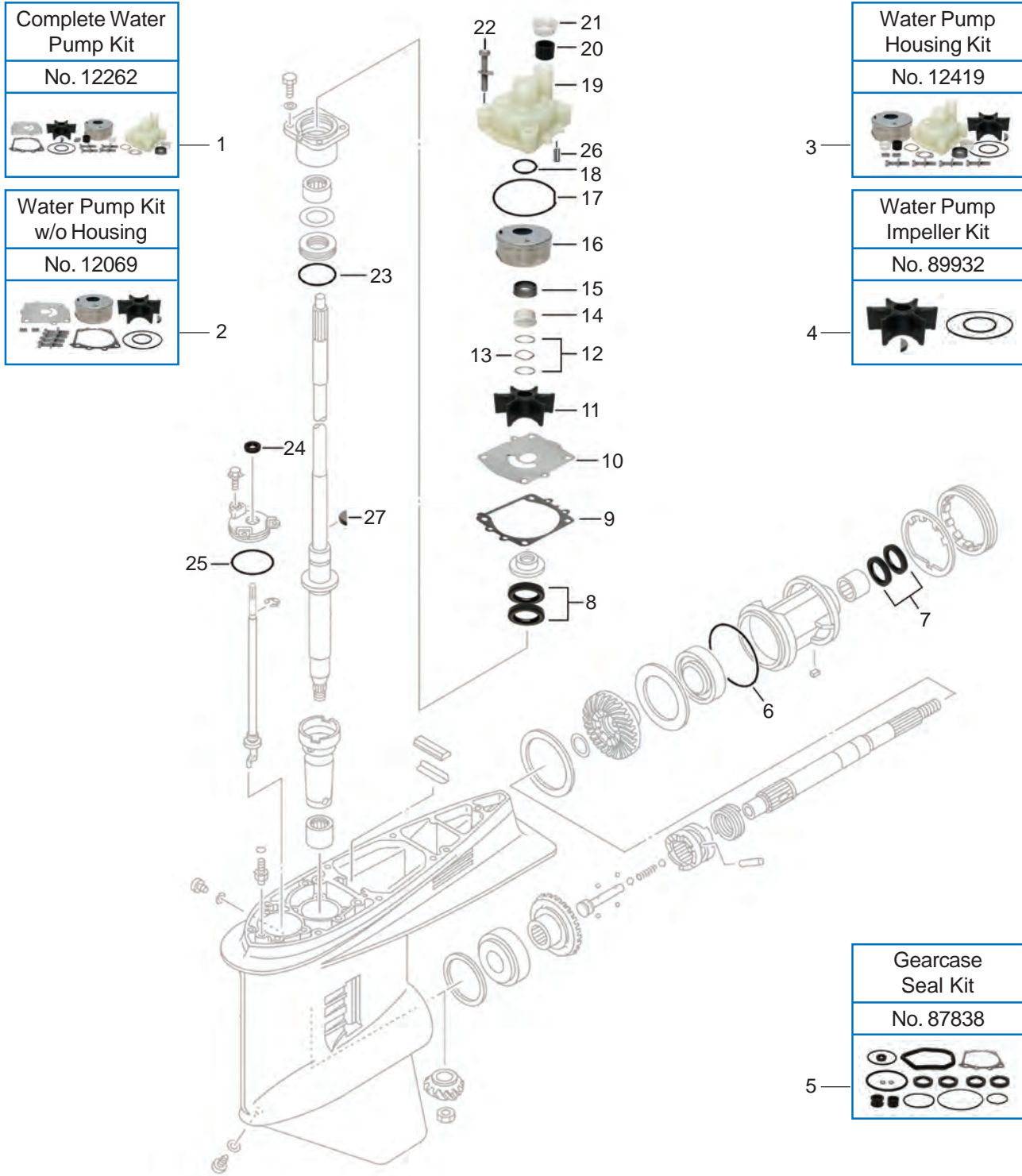
GLM No.	Ref No.	OEM No.	Description
12296	1	68V-W0078-00 + 61A-44311-00-00	Complete Water Pump Kit
12067	2	68V-W0078-00	Water Pump Kit w/o Housing
12297	3	6N6-W0078-02 + 61A-44311-00-00	Complete Water Pump Kit
12286	4	6N6-W0078-02	Water Pump Kit w/o Housing
12086	5	6E5-W0078-01 + 6E5-44311-00-00	Complete Water Pump Kit
12054	6	6E5-W0078-01	Water Pump Kit w/o Housing
12419	7	N/A	Water Pump Housing Kit
89932	8	N/A	Water Pump Impeller Kit
87841	9	6G5-W0001-C1	Gearcase Seal Kit
22504	10 ◆+•-#	90119-08M14	Bolt w/ Washer (4)
22502	10a. !<	97080-08045	Bolt (4)
22506	10b. !<	90209-08M02	Washer (4)
12839	11 #	6E5-44312-00-00	Cover, Water Pump Housing
38300	12 #∧	6E5-44365-00-00	Damper
12074	13 ◆◆#	61A-44311-01-00	Water Pump Housing (1993 & Up)
12077	13!	6E5-44311-00-00	Water Pump Housing (1984-1992)
12808	14 ◆+•-!< #	93606-12019	Pin, Dowell (2)
84300	15 ◆+•-!< # *∧	93210-37M67	O-ring
84295	16 ◆+•-!< # *∧	93210-86M38	O-ring
12870	17 ◆+•-#	61A-44322-02	Pump Cup
12871	17!<	6E5-44322-00	Pump Cup
89930	18 ◆+•-!< # *	6E5-44352-01-00	Impeller
12518	19 ◆+	68V-44323-00	Wear Plate
12522	19•-!<	6E5-44323-00	Wear Plate
38000	20 ◆+•-!<∧	6E5-44315-A0	Gasket, Water Pump
85222	21∧	93101-28M16	Seal, Drive Shaft
38029	22∧	6E5-45123-00-00	Gasket, Muffler
89588	23 ◆+•-!< # *	90280-04002-00	Key, Woodruff
84215	24∧	93210-54534-00	O-ring, Drive Shaft
85223	25∧	93106-09014	Seal, Shift Shaft
84240	26∧	93210-58677-00	O-ring, Shift Shaft
23140	27	6G5-45576-00-00	Thrust Washer
21620	28	93306-209U0-00	Ball Bearing
83445	29∧	93210-97M55-00	O-ring, Prop Carrier
85221	30∧	93101-30M17	Seal, Prop Shaft
38015	31∧	90430-08020	Gasket, Drain Fill
21657	32	90201-22M01-00	Washer
21727	33	90206-22M19-00	Spring Washer
22199	34	61A-45538-00-00	Spacer
11194	35	61A-45527-00-00	Collar
◆ Included in Kit No. 12296			
+ Included in Kit No. 12067			
• Included in Kit No. 12297			
- Included in Kit No. 12286			
! Included in Kit No. 12086			
< Included in Kit No. 12054			
# Included in Kit No. 12419			
* Included in Kit No. 89932			
∧ Included in Kit No. 87841			

Yamaha

YAMAHA GEARCASE COMPONENTS - 150, 175, 200, 220 HP (All Except VF200 & VZ200)

Fits Models:

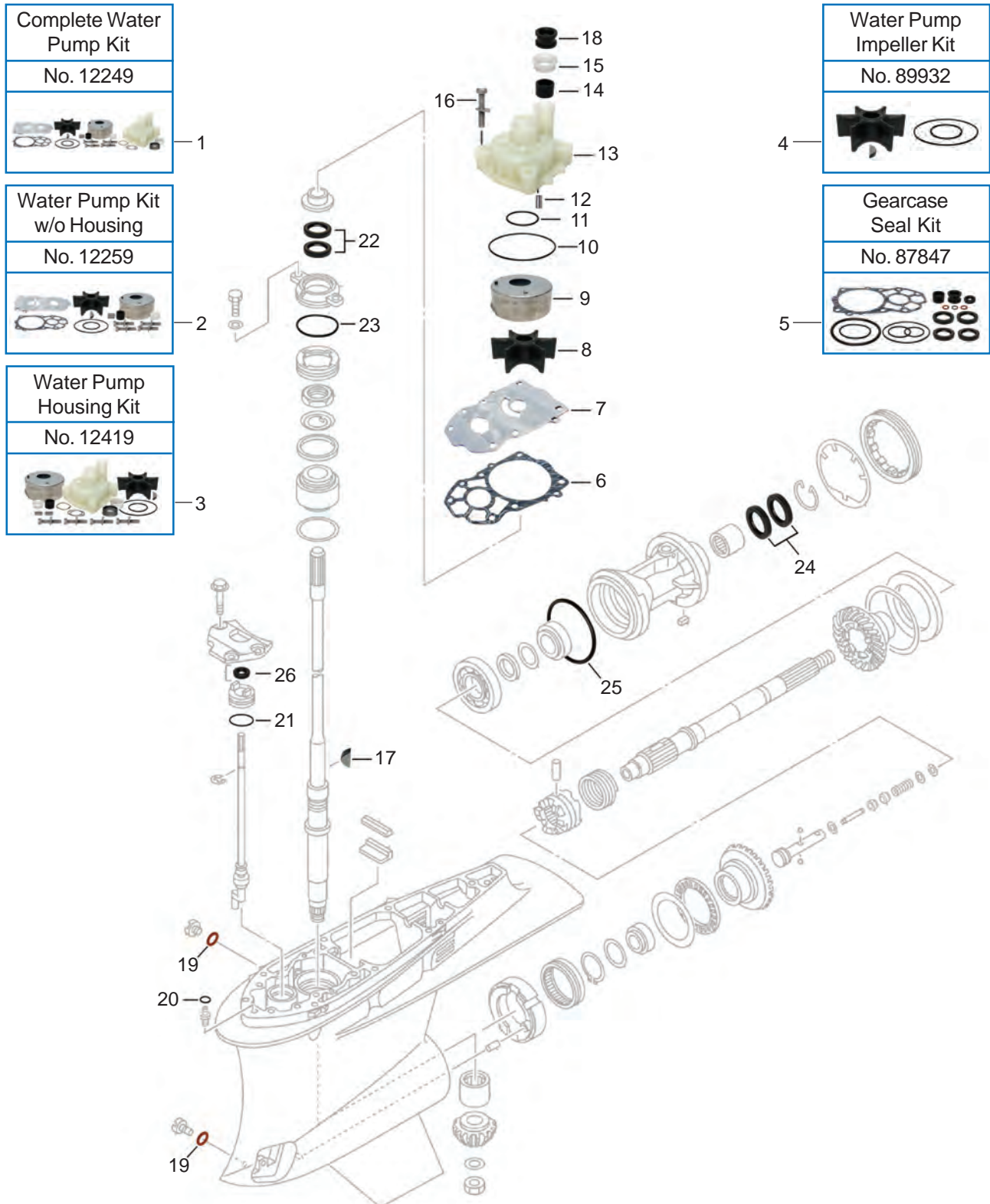
All 150, 175, 200 & 220 HP (1984 & Up) except VF-200 (All) & VZ-200 (2005 & Up)



Yamaha

YAMAHA GEARCASE COMPONENTS - VF200-VF250 HP

Fits Models:
4-Stroke: VF-200, VF-225 & VF-250HP (2006 & Up)



Yamaha

YAMAHA GEARCASE COMPONENTS - VZ-200, 225, 250 & 300 HP

Fits Models:

VZ-200 (2005-09), VZ-225 (2003-09), VZ-250 (2003-09), VZ-300 (2004-09)

Complete Water Pump Kit
No. 12261


Complete Water Pump Kit
No. 12263

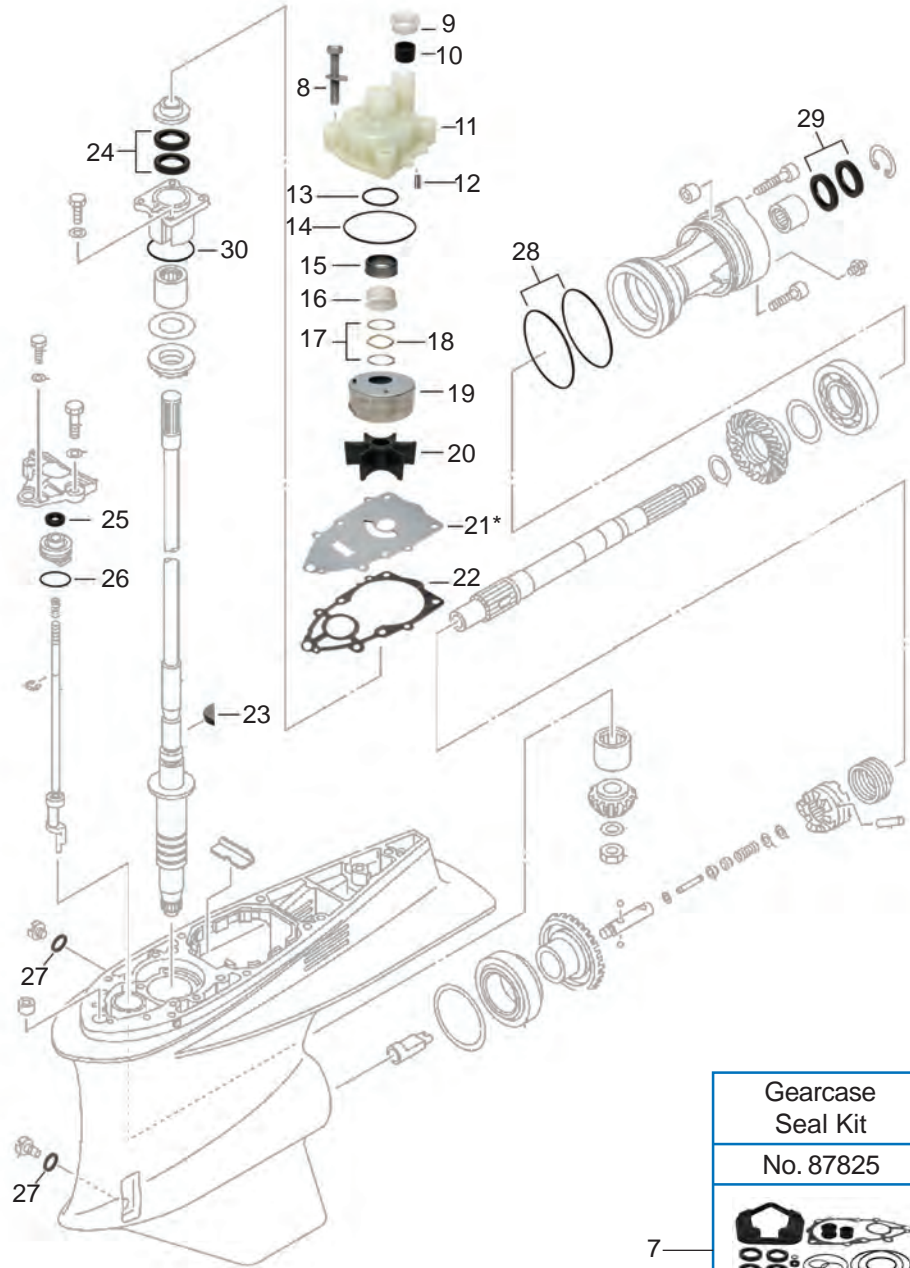

Water Pump Kit w/o Housing
No. 12068


Water Pump Kit w/o Housing
No. 12258


Water Pump Housing Kit
No. 12419


Water Pump Impeller Kit
No. 89932


Gearcase Seal Kit
No. 87825

Yamaha

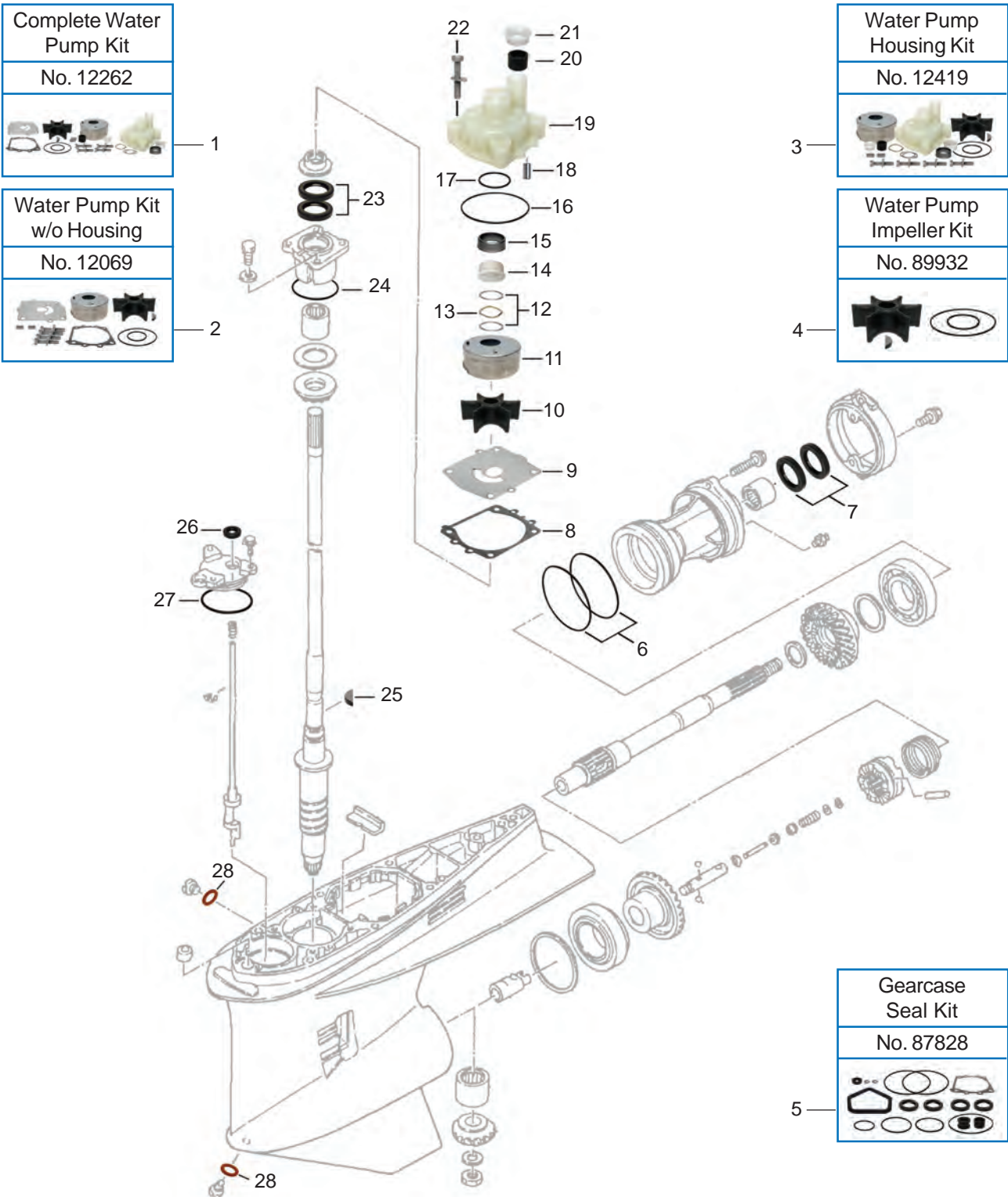
YAMAHA GEARCASE COMPONENTS - VZ-200, 225, 250 & 300 HP

GLM No.	Ref No.	OEM No.	Description
12261	1	60X-W0078-00 + 61A-44311-01-00	Complete Water Pump Kit
12263	2	6P2-W0078-00 + 61A-44311-01-00	Complete Water Pump Kit
12068	3	60X-W0078-00	Water Pump Kit w/o Housing
12258	4	6P2-W0078-00	Water Pump Kit w/o Housing
12419	5	N/A	Water Pump Housing Kit
89932	6	N/A	Water Pump Impeller Kit
87825	7	6D0-W0001-21	Gearcase Seal Kit
22504	8 ♦+•-#	90119-08M14	Bolt w/ Washer (4)
12839	9 #	6E5-44312-00-00	Cover, Water Pump Housing
38300	10 #^	6E5-44365-00-00	Damper
12074	11 ♦#	61A-44311-01-00	Water Pump Housing
12808	12 ♦+•-#	93606-12019	Pin, Dowell (2)
84300	13 ♦+•-#*^	93210-37M67	O-ring
84295	14 ♦+•-#*^	93210-86M38	O-ring
11194	15	61A-45527-00-00	Collar
22199	16	61A-45538-00-00	Spacer
21657	17	90201-22M01-00	Washer
21727	18	90206-22M19-00	Spring Washer
12870	19 ♦+•-#	61A-44322-02	Pump Cup
89930	20 ♦+•-#*	6E5-44352-01-00	Impeller
12519*	21 ♦+	60X-44323-00	Wear Plate for 2-Stroke
12529*	21 •-	6P2-44323-00-00	Wear Plate
38006	22 ♦+•-^	60X-44315-A0	Gasket, Water Pump
89588	23 ♦+•-#*	90280-04002-00	Key, Woodruff
85222	24^	93101-28M16-00	Oil Seal, Drive Shaft
85223	25^	93106-09014	Oil Seal, Shift Shaft
84211	26^	93210-33M49	O-ring, Shift Shaft
38015	27^	90430-08020	Gasket, Drain Fill
84212	28^	93211-04384	O-ring, Prop Carrier
85221	29^	93101-30002	Oil Seal, Prop Shaft
84205	30^	93210-65752-00	O-ring
♦ Included in Kit No. 12261 • Included in Kit No. 12263 + Included in Kit No. 12068 - Included in Kit No. 12258 # Included in Kit No. 12419 * Included in Kit No. 89932 ^ Included in Kit No. 87825			

Yamaha

YAMAHA GEARCASE COMPONENTS - 220-225 HP

Fits Models:
225, S225, L225 & EXCEL - 2-Stroke



Yamaha

YAMAHA GEARCASE COMPONENTS - 225, 250, 300 HP - V6

Fits Models:
225HP, 250HP, 300HP - V6

Complete Water
Pump Kit

No. 12265



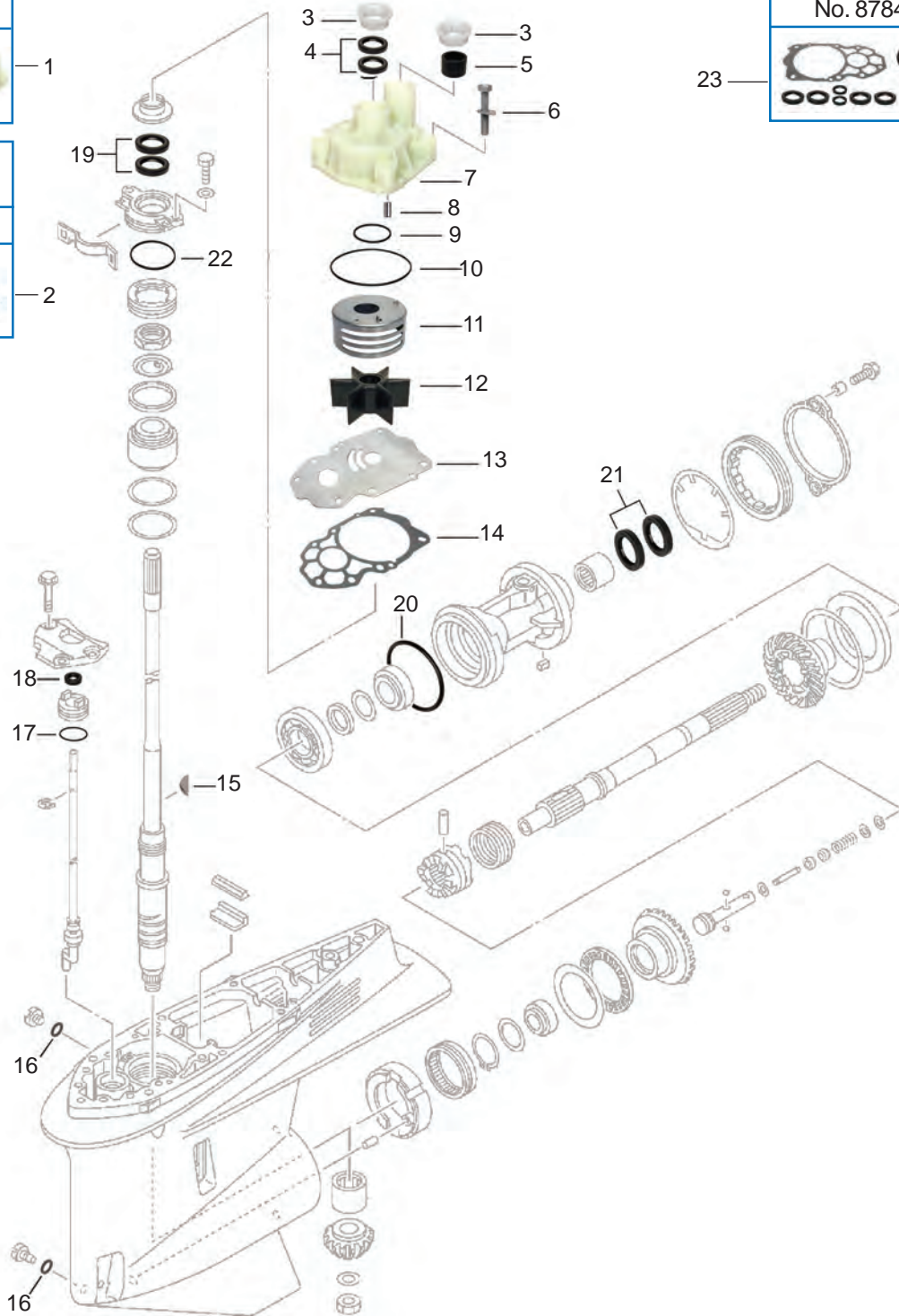
Water Pump Kit
w/o Housing

No. 12063



Gearcase
Seal kit

No. 87844



Yamaha

YAMAHA GEARCASE COMPONENTS - 300 & 350 HP - V8

Fits Models:
300HP & 350HP - V8

Complete Water
Pump Kit

No. 12248



1

Water Pump Kit
w/o Housing

No. 12089



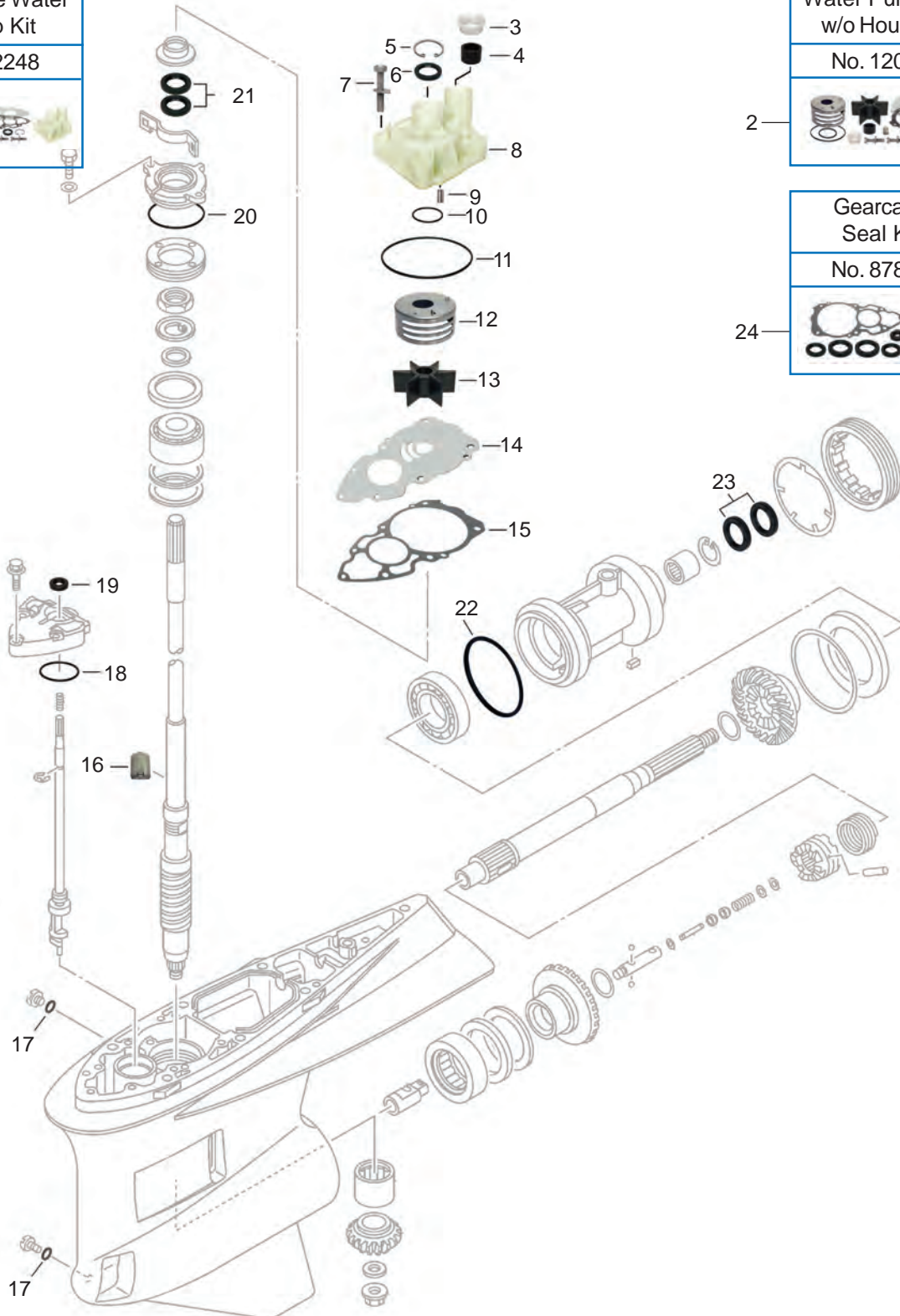
2

Gearcase
Seal Kit

No. 87850



24





Section 2

Yamaha

Gearcase Seal Kits*

Yamaha Gearcase Seal Kits - 9.9 HP thru 350 HP 50-54

Yamaha Gearcase Seal Kits Applications 55-56

Yamaha Gearcase Seal Kit Components - Damper, Seals & Grommets ... 57

Yamaha Gearcase Seal Kit Components - Misc. Gaskets & Seals 57

Yamaha Gearcase Seal Kit Components - Water Pump Gaskets 57-58

Yamaha Gearcase Seal Kit Components - Gaskets & Seals - Muffler 59

Yamaha Gearcase Seal Kit Components - O-rings 60-61

Yamaha Gearcase Seal Kit Components - Oil Seals 62

**Note: These kits are not exact YAMAHA replacement kits. We have improved our seal kits by omitting gaskets not necessary to seal the lower unit. These kits are designed specifically to seal the lower units, therefore lowering your kit cost. The Yamaha OEM numbers are for model reference only.*



Yamaha

YAMAHA GEARCASE SEAL KITS

No. 87843

GEARCASE SEAL KIT

OEM: N/A

Reference:

63V-W0001-22-00
683-W0001-C1-00
63V-W0001-21-00
6G8-W0001-C0-00
6G9-W0001-C0-00
6G8-W0001-C2-00
6G9-W0001-C2-00
6G8-W0001-C4-00
6G9-W0001-C4-00
6G8-W0001-C6-00
6G9-W0001-C6-00



Note: This is not an exact YAMAHA replacement kit. We have improved our seal kit by omitting gaskets not necessary to seal the lower unit. This kit is designed specifically to seal the lower units on all Yamaha 9.9 or 15 HP. OEM numbers for model reference only.

Fits Models: All 9.9 & 15 HP, 2 & 4-Stroke



No. 87814

GEARCASE SEAL KIT

OEM: 66M-W0001-20
66R-W0001-21



Fits Models: 9.9, T9.9HP (2005 & Up)
15, F15HP (1998-04)

No. 87826

GEARCASE SEAL KIT

OEM: 6L2-W0001-C3, 6L2-W0001-20
6L2-W0001-21, 6L2-W0001-22
6L2-W0001-23



Fits Models: 20HP (1996-97),
25HP (1988-98, 2000, 2002-05)



No. 87827

GEARCASE SEAL KIT

OEM: 689-W0001-C2
689-W0001-23



For 689-W0001-C2
Fits Models: C30HP (1991-92), CV25HP (1990), CV30HP (1989-90)
For 689-W0001-23
Fits Models: C25HP (1991-97)

No. 87846

GEARCASE SEAL KIT

OEM: 65W-W0001-20, 65W-W0001-21
65W-W0001-22, 65W-W0001-23



Fits Models: F25 HP (1998 & Up), 4-Stroke
& C30 HP (1993-97), 2-Stroke



No. 87833

GEARCASE SEAL KIT

OEM: 6J8-W0001-C2



Fits Models: F25HP (1999-01),
30HP (1987, 1989-93, 1996-99, 2001-02)

Yamaha

YAMAHA GEARCASE SEAL KITS

No. 87829

GEARCASE SEAL KIT
OEM: 67C-W0001-20
67C-W0001-21
67C-W0001-22



Fits Models: F30HP (2001-05),
F40HP (2000-05), T25HP (2001-05)

No. 87813

GEARCASE SEAL KIT
OEM: 69W-W0001-20
6BL-W0001-21



Fits Models: 25, T25HP (2006 & Up),
60, F60HP (2002-04)

No. 87824

GEARCASE SEAL KIT
OEM: 6BG-W0001-20
6BG-W0001-21



Fits Models: 30, F30,
40, F40HP (2006 & Up)

No. 87845

GEARCASE SEAL KIT
OEM: 6A0-W0001-20
6A0-W0001-21
6A0-W0001-22



Fits Models:
C40HP (1990-97) & CV40HP (1990-97)

No. 87834

GEARCASE SEAL KIT
OEM: 63D-W0001-20



Fits Models:
C40HP (1998-02), C50HP (1998-01),
P40HP (1998), P50HP (1991-96),
40HP (1984-85), 50HP (1986-05)

No. 87812

GEARCASE SEAL KIT
OEM: 698-W0001-21
698-W0001-C0



For 698-W0001-21
Fits Models: C55HP (1991-95), E48HP (1995, 1997-00)

For 698-W0001-C0
Fits Models: CV55HP (1989)

For 6H4-W0001-21, 6H4-W0001-C0

Yamaha

YAMAHA GEARCASE SEAL KITS

No. 87817

GEARCASE SEAL KIT
OEM: 62Y-W0001-20
62Y-W0001-21
62Y-W0001-22



Fits Models:
50, F50HP (2002-04)

No. 87818

GEARCASE SEAL KIT
OEM: 6C5-W0001-20
6C5-W0001-21



Fits Models:
50, F50, 60, F60HP (2006 & Up)

No. 87836

GEARCASE SEAL KIT
OEM: 6H3-W0001-21
6H3-W0001-22
6H2-W0001-20



For 6H3-W0001-22
Fits Models: C60HP (1996-01), C70HP (2000-01),
E60HP (1995-00), P60HP (1991-99)

For 6H2-W0001-20
Fits Models: 60HP (2001-05), 70HP (1984-05)

No. 87819

GEARCASE SEAL KIT
OEM: 6C6-W0001-20
6C6-W0001-21



Fits Models:
50, 60HP (2006 & Up)

No. 87837

GEARCASE SEAL KIT
OEM: 688-W0001-C0, 688-W0001-21
688-W0001-22



For 688-W0001-C0
Fits Models: CV85HP (1989-90)

For 688-W0001-22
Fits Models: B90HP (1998-99), C75HP (1994-98), C80HP (1997),
C85HP (1991-96), C90HP (1997-01), E75HP (1995-00),
P75HP (1996-99), 90HP (1984-05)

No. 87816

GEARCASE SEAL KIT
OEM: 67F-W0001-20
67F-W0001-21



Fits Models:
75, F75, 90, F90HP (2003 & Up)

Yamaha

YAMAHA GEARCASE SEAL KITS

No. 87839

GEARCASE SEAL KIT
OEM: 6F3-W0001-C1



Fits Models:
115 (1994-00), 130HP (1994-04)

No. 87811

GEARCASE SEAL KIT
OEM: 68V-W0001-20
68V-W0001-21



Fits Models:
115, F115HP (2004 & Up)

No. 87838

GEARCASE SEAL KIT
OEM: 6E5-W0001-F1



Fits Models:
115-130HP, V4

No. 87815

GEARCASE SEAL KIT
OEM: 63P-W0001-20
63P-W0001-21



Fits Models:
150, F150, 175, F175, 200, F200HP (2006 & Up)

No. 87841

GEARCASE SEAL KIT
OEM: 6G5-W0001-C1



Fits Models:
150, 175, 200, 220HP (2005 & Up)
Except VF200 & VZ200

No. 87847

GEARCASE SEAL KIT
OEM: 6CB-W0001-20



Fits Models:
4-Stroke, VF200HP (2006 & Up),
VF225HP (2006 & Up), VF250HP (2006 & Up)

Yamaha

YAMAHA GEARCASE SEAL KITS

No. 87823

GEARCASE SEAL KIT
OEM: 69J-W0001-20
69J-W0001-21
69J-W0001-22



Fits Models:
200, F200, 225, F225HP (2006 & Up)

No. 87822

GEARCASE SEAL KIT
OEM: 6P2-W0001-20
6P2-W0001-21
6P2-W0001-30



Fits Models:
250, F250HP (2006 & Up)

No. 87825

GEARCASE SEAL KIT
OEM: 6D0-W0001-20
6D0-W0001-21



Fits Models:
200-300HP (LZ, Z & VZ)

No. 87844

GEARCASE SEAL KIT
OEM: 6CE-W0001-20
6CE-W0001-21



Fits Models:
225, 250, 300HP

No. 87828

GEARCASE SEAL KIT
OEM: 65L-W0001-C0, 60V-W0001-20
61A-W0001-21



Fits Models:
L225HP (1994-99), L250HP (1990-99), LX225HP (2000-03)
LX250HP (2000-03), 225 HP (1994-96), S225HP (1996-99),
250 HP (1990-92, 1994-95), S250HP (1996-99),
SX225HP (2000-03), SX250HP (2000-03), LZ250HP (2003 & Up)
Z250HP (2003 & Up)

No. 87850

GEARCASE SEAL KIT
OEM: 6AW-W0001-21



Fits Models:
300, 350HP

Yamaha

YAMAHA GEARCASE SEAL KIT APPLICATIONS

Model / HP	Year(s)	OEM No's (for Reference Only)	GLM's Seal Kit
9.9 / 15 / 2 & 4-Stroke	All	63V-W0001-22, 683-W0001-C1, 63V-W0001-21, 6G8-W0001-C0, 6G9-W0001-C0, 6G8-W0001-C2, 6G9-W0001-C2, 6G8-W0001-C4 6G9-W0001-C4, 6G8-W0001-C6, 6G9-W0001-C6	87843
9.9	2005 & Up	66M-W0001-20, 66R-W0001-21	87814
T9.9	2005 & Up	66M-W0001-20, 66R-W0001-21	87814
15	1998-04	66M-W0001-20, 66R-W0001-21	87814
F15	1998-04	66M-W0001-20, 66R-W0001-21	87814
20	1996-97	6L2-W0001-C3, 6L2-W0001-20, 6L2-W0001-21,	87826
25	1988-98, 2000, 2002-05	6L2-W0001-22, 6L2-W0001-23	87826
25	2006 & Up	69W-W0001-20, 6BL-W0001-21	87813
C25	1991-97	689-W0001-23	87827
CV25	1990	689-W0001-C2	87827
F25 / 4-Stroke	1998 & Up	65W-W0001-20, 65W-W0001-21, 65W-W0001-22, 65W-W0001-23	87846
F25	1999-01	6J8-W0001-C2	87833
T25	2001-05	67C-W0001-20, 67C-W0001-21, 67C-W0001-22	87829
T25	2006 & Up	69W-W0001-20, 6BL-W0001-21	87813
30	1987, 1989-93	6J8-W0001-C2	87833
30	1996-99, 2001-02	6J8-W0001-C2	87833
30	2006 & Up	6BG-W0001-20, 6BG-W0001-21	87824
C30	1991-92	689-W0001-C2	87827
C30 / 2-Stroke	1993-97	65W-W0001-20, 65W-W0001-21, 65W-W0001-22, 65W-W0001-23	87846
CV30	1989-90	689-W0001-C2	87827
F30	2001-05	67C-W0001-20, 67C-W0001-21, 67C-W0001-22	87829
F30	2006 & Up	6BG-W0001-20, 6BG-W0001-21	87824
40	1985-85	63D-W0001-20	87834
40	2006 & Up	6BG-W0001-20, 6BG-W0001-21	87824
C40	1990-97	6A0-W0001-20, 6A0-W0001-21, 6A0-W0001-22	87845
C40	1998-02	63D-W0001-20	87834
CV40	1990-97	6A0-W0001-20, 6A0-W0001-21, 6A0-W0001-22	87845
F40	2000-05	67C-W0001-20, 67C-W0001-21, 67C-W0001-22	87829
F40	2006 & Up	6BG-W0001-20, 6BG-W0001-21	87824
P40	1998	63D-W0001-20	87834
E48	1995, 1997-00	698-W0001-21, 6H4-W0001-21, 6H4-W0001-C0	87812
50	1986-05	63D-W0001-20	87834
50	2002-04	62Y-W0001-20, 62Y-W0001-21, 62Y-W0001-22	87817
50	2006 & Up	6C5-W0001-20, 6C5-W0001-21	87818
50	2006 & Up	6C6-W0001-20, 6C6-W0001-21	87819
F50	2002-04	62Y-W0001-20, 62Y-W0001-21, 62Y-W0001-22	87817
F50	2006 & Up	6C5-W0001-20, 6C5-W0001-21	87818
C50	1998-01	63D-W0001-20	87834
P50	1991-96	63D-W0001-20	87834
C55	1991-95	698-W0001-21, 6H4-W0001-21, 6H4-W0001-C0	87812
CV55	1989	698-W0001-C0, 6H4-W0001-21, 6H4-W0001-C0	87812
60	2001-05	6H3-W0001-21, 6H2-W0001-20	87836
60	2002-04	69W-W0001-20, 6BL-W0001-21	87813
60	2006 & Up	6C5-W0001-20, 6C5-W0001-21	87818
60	2006 & Up	6C6-W0001-20, 6C6-W0001-21	87819
C60	1996-01	6H3-W0001-21, 6H3-W0001-22	87836
E60	1995-00	6H3-W0001-21, 6H3-W0001-22	87836
F60	2002-04	69W-W0001-20, 6BL-W0001-21	87813
F60	2006 & Up	6C5-W0001-20, 6C5-W0001-21	87818
P60	1991-99	6H3-W0001-21, 6H3-W0001-22	87836
70	1984-05	6H3-W0001-21, 6H2-W0001-20	87836
C70	2000-01	6H3-W0001-21, 6H3-W0001-22	87836
75	2003 & Up	67F-W0001-20, 67F-W0001-21	87816
C75	1994-98	688-W0001-21, 688-W0001-22	87837

Yamaha

YAMAHA GEARCASE SEAL KIT APPLICATIONS

Model / HP	Year(s)	OEM No's (for Reference Only)	GLM's Seal Kit
E75	1995-00	688-W0001-21, 688-W0001-22	87837
F75	2003 & Up	67F-W0001-20, 67F-W0001-21	87816
P75	1996-99	688-W0001-21, 688-W0001-22	87837
C80	1997	688-W0001-21, 688-W0001-22	87837
C85	1991-96	688-W0001-21, 688-W0001-22	87837
CV85	1989-90	688-W0001-21, 688-W0001-C0	87837
90	1984-05	688-W0001-21, 688-W0001-22	87837
90	2003 & Up	67F-W0001-20, 67F-W0001-21	87816
B90	1998-99	688-W0001-21, 688-W0001-22	87837
C90	1997-01	688-W0001-21, 688-W0001-22	87837
F90	2003 & Up	67F-W0001-20, 67F-W0001-21	87816
115, V4	-	6E5-W0001-F1	87838
115	1994-00	6F3-W0001-C1	87839
115	2004 & Up	68V-W0001-20, 68V-W0001-21	87811
F115	2004 & Up	68V-W0001-20, 68V-W0001-21	87811
130, V4	-	6E5-W0001-F1	87838
130	1994-04	6F3-W0001-C1	87839
150	2005 & Up	6G5-W0001-C1	87841
150	2006 & Up	63P-W0001-20, 63P-W0001-21	87815
F150	2006 & Up	63P-W0001-20, 63P-W0001-21	87815
175	2005 & Up	6G5-W0001-C1	87841
175	2006 & Up	63P-W0001-20, 63P-W0001-21	87815
F175	2006 & Up	63P-W0001-20, 63P-W0001-21	87815
200	2005 & Up	6G5-W0001-C1	87841
200	2006 & Up	63P-W0001-20, 63P-W0001-21	87815
200	2006 & Up	69J-W0001-20, 69J-W0001-21, 69J-W0001-22	87823
200-300 (LZ, Z & VZ)	-	6D0-W0001-20, 6D0-W0001-21	87825
F200	2006 & Up	63P-W0001-20, 63P-W0001-21	87815
F200	2006 & Up	69J-W0001-20, 69J-W0001-21, 69J-W0001-22	87823
VF200, 4-Stroke	2006 & Up	6CB-W0001-20	87847
220	2005 & Up	6G5-W0001-C1	87841
225	1994-96	65L-W0001-C0, 60V-W0001-20, 61A-W0001-21	87828
225	2006 & Up	69J-W0001-20, 69J-W0001-21, 69J-W0001-22	87823
225	-	6CE-W0001-20, 6CE-W0001-21	87844
F225	2006 & Up	69J-W0001-20, 69J-W0001-21, 69J-W0001-22	87823
L225	1994-99	65L-W0001-C0, 60V-W0001-20, 61A-W0001-21	87828
LX225	2000-03	65L-W0001-C0, 60V-W0001-20, 61A-W0001-21	87828
S225	1996-99	65L-W0001-C0, 60V-W0001-20, 61A-W0001-21	87828
SX225	2000-03	65L-W0001-C0, 60V-W0001-20, 61A-W0001-21	87828
VF225, 4-Stroke	2006 & Up	6CB-W0001-20	87847
250	1990-92, 1994-95	65L-W0001-C0, 60V-W0001-20, 61A-W0001-21	87828
250	-	6CE-W0001-20, 6CE-W0001-21	87844
250	2006 & Up	6P2-W0001-20, 6P2-W0001-21, 6P2-W0001-30	87822
F250	2006 & Up	6P2-W0001-20, 6P2-W0001-21, 6P2-W0001-30	87822
L250	1990-99	65L-W0001-C0, 60V-W0001-20, 61A-W0001-21	87828
LX250	2000-03	65L-W0001-C0, 60V-W0001-20, 61A-W0001-21	87828
LZ250	2003 & Up	65L-W0001-C0, 60V-W0001-20, 61A-W0001-21	87828
S250	1996-99	65L-W0001-C0, 60V-W0001-20, 61A-W0001-21	87828
SX250	2000-03	65L-W0001-C0, 60V-W0001-20, 61A-W0001-21	87828
VF250, 4-Stroke	2006 & Up	6CB-W0001-20	87847
Z250	2003 & Up	65L-W0001-C0, 60V-W0001-20, 61A-W0001-21	87828
300	-	6AW-W0001-21	87850
300	-	6CE-W0001-20, 6CE-W0001-21	87844
350	-	6AW-W0001-21	87850




Yamaha

YAMAHA GEARCASE SEAL KIT COMPONENTS

Damper - Water Seals & Grommets

<p>No. 12867 DAMPER, WATER OEM: 6AW-44365-00</p> 	<p>No. 85624 DAMPER, WATER OEM: 6E5-44366-00</p> 	<p>No. 38305 DAMPER, WATER SEAL OEM: 689-44366-00</p> 	<p>No. 85622 DAMPER, SEAL OEM: 682-45375-01</p> 	
<p>No. 12869 DAMPER, WATER SEAL OEM: 626-44365-01</p> 	<p>No. 12877 GROMMET, WATER TUBE OEM: 682-44365-01</p> 	<p>No. 12875 DAMPER, WATER SEAL OEM: 663-44366-00</p> 	<p>No. 38300 DAMPER, WATER SEAL OEM: 6E5-44365-00</p> 	<p>No. 38304 DAMPER, WATER SEAL OEM: 6L2-44367-00</p> 

Misc. Gaskets & Seals

<p>No. 38065 GASKET, EXHAUST MANIFOLD OEM: 62Y-41133-00</p> 	<p>No. 85621 PACKING, LOWER CASING OEM: 61N-45315-00</p> 	<p>No. 21656 WASHER, OIL DRAIN PLUG OEM: 90430-14M09</p> 	
<p>No. 38015 GASKET OEM: 90430-08020, 90430-08003</p> 	<p>No. 38025 GASKET, WATER TUBE OEM: 90430-12072</p> 	<p>No. 38023 GASKET OEM: 62Y-13475-00</p> 	<p>No. 36910 GASKET, EXHAUST TUBE OEM: 6G8-41133-A0-00</p> 






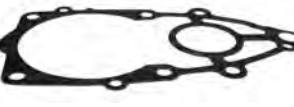














Gaskets - Water Pump

<p>No. 38005 GASKET, CARTRIDGE OEM: 6H3-44324-A0</p> 	<p>No. 38011 GASKET, CARTRIDGE OEM: 663-44324-A0</p> 	<p>No. 38109 GASKET, CARTRIDGE OEM: 689-44324-A0</p> 
<p>No. 36930 GASKET, WATER PUMP BASE OEM: 683-45315-A0</p> 	<p>No. 38120 GASKET, WATER PUMP BASE OEM: 6G8-45315-A0</p> 	<p>No. 38130 GASKET, WATER PUMP BASE OEM: 63V-45315-A0</p> 

Yamaha

YAMAHA GEARCASE SEAL KIT COMPONENTS

Gaskets - Water Pump

<p>No. 38058 GASKET, WATER PUMP OEM: 676-44315-A1-00</p> 	<p>No. 38059 GASKET, WATER PUMP OEM: 676-44324-A1-00</p> 	<p>No. 38061 GASKET, WATER PUMP OEM: 679-44316-A1-00</p> 	<p>No. 38062 GASKET, WATER PUMP OEM: 676-44316-A1-00</p> 
<p>No. 38057 GASKET, WATER PUMP OEM: 6CB-44315-00</p> 	<p>No. 38006 GASKET, WATER PUMP OEM: 60X-44315-A0</p> 	<p>No. 38050 GASKET, IMPELLER PLATE OEM: 6AW-44315-00</p> 	<p>No. 38060 GASKET, IMPELLER PLATE OEM: 6CE-44315-00</p> 
<p>No. 38000 GASKET, WATER PUMP OEM: 6E5-44315-A0</p> 	<p>No. 38001 GASKET, WATER PUMP OEM: 688-44315-A0</p> 	<p>No. 38002 GASKET, WATER PUMP OEM: 688-44316-A0</p> 	<p>No. 38004 GASKET, WATER PUMP OEM: 6H3-44315-A0</p> 
<p>No. 38007 GASKET, WATER PUMP OEM: 65N-44315-A0</p> 	<p>No. 38008 GASKET, WATER PUMP OEM: 63D-44316-00</p> 	<p>No. 38009 GASKET, WATER PUMP OEM: 689-44315-A0</p> 	<p>No. 38010 GASKET, WATER PUMP OEM: 663-44316-A0</p> 
<p>No. 38106 GASKET, WATER PUMP OEM: 663-44315-A0</p> 	<p>No. 38107 GASKET, WATER PUMP OEM: 682-44315-A0</p> 	<p>No. 38108 GASKET, WATER PUMP OEM: 689-44316-A0</p> 	<p>No. 38003 GASKET, WATER PUMP OEM: 688-44324-A0</p> 

Yamaha

YAMAHA GEARCASE SEAL KIT COMPONENTS










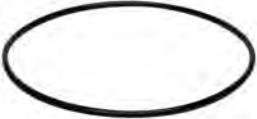









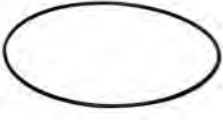

Gaskets & Seals - Muffler

<p>No. 38014 GASKET, MUFFLER OEM: 61A-45123-01</p> 	<p>No. 38018 GASKET, MUFFLER OEM: 63D-45123-00</p> 	<p>No. 38021 GASKET, MUFFLER OEM: 67C-45123-00</p> 	<p>No. 38072  GASKET, MUFFLER OEM: 69J-45123-00</p> 
<p>No. 38029 GASKET, MUFFLER OEM: 6E5-45123-00</p> 	<p>No. 38032 GASKET, MUFFLER OEM: 663-45123-00</p> 	<p>No. 38036 GASKET, MUFFLER OEM: 688-45123-00</p> 	<p>No. 38073  GASKET, MUFFLER OEM: 67F-45123-00</p> 
<p>No. 38038 GASKET, MUFFLER OEM: 6H3-45123-00</p> 	<p>No. 38040 GASKET, EX. MANIFOLD OEM: 6L2-41134-00</p> 	<p>No. 38035 GASKET, CARTRIDGE OEM: 688-41133-00</p> 	<p>No. 38074  GASKET, MUFFLER OEM: 6C5-45123-00</p> 
<p>No. 38302 SEAL OEM: 6H3-45127</p> 	<p>No. 38303 SEAL OEM: 62Y-45127</p> 	<p>No. 38055 SEAL, EXHAUST OEM: 6DO-45123-00</p> 	<p>No. 38075  GASKET, MUFFLER OEM: 68V-45123-00</p> 
<p>No. 38064 SEAL OEM: 676-45128-00</p> 	<p>No. 38063 SEAL OEM: 676-45127-00</p> 	<p>No. 85625 SEAL OEM: 65W-45128-00</p> 	

Yamaha

YAMAHA GEARCASE SEAL KIT COMPONENTS












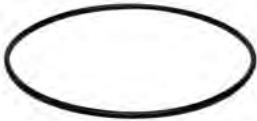






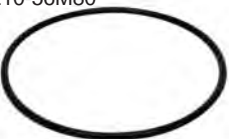


O-rings

<p>No. 84001 O-RING OEM: 93210-64ME7</p> 	<p>No. 84002 O-RING OEM: 93210-65M50</p> 	<p>No. 84003 O-RING OEM: 93210-26240</p> 
<p>No. 84004 O-RING OEM: 93210-22298</p> 	<p>No. 87213 O-RING OEM: 93210-33M85</p> 	<p>No. 83480 O-RING, PROP CARRIER OEM: 93211-10232</p> 
<p>No. 45070 O-RING, BEARING HSG. OEM: N/A</p> 	<p>No. 84211 O-RING, SHIFT SHAFT OEM: 93210-33M85</p> 	<p>No. 84212 O-RING, PROP CARRIER OEM: 93211-04384</p> 
<p>No. 45330 O-RING OEM: 93210-94003</p> 	<p>No. 84216 O-RING, PROP CARRIER OEM: 93211-02001</p> 	<p>No. 84360 O-RING OEM: 93210-57M09-00</p> 
<p>No. 80160 O-RING OEM: 93210-16772-00</p> 	<p>No. 84200 O-RING OEM: 93210-33MG4</p> 	<p>No. 84205 O-RING OEM: 93210-65752</p> 
<p>No. 84210 O-RING OEM: 93211-04384</p> 	<p>No. 84215 O-RING OEM: 93210-54534</p> 	<p>No. 84220 O-RING OEM: 93210-48MG8</p> 
<p>No. 84225 O-RING OEM: 93210-69MG6</p> 	<p>No. 84230 O-RING OEM: 93210-74775</p> 	<p>No. 45340 O-RING OEM: 93210-06ME6</p> 

Yamaha

YAMAHA GEARCASE SEAL KIT COMPONENTS

O-rings

<p>No. 84240 O-RING OEM: 93210-58677</p> 	<p>No. 84245 O-RING OEM: 93210-97M55</p> 	<p>No. 84250 O-RING OEM: 93210-86M39</p> 
<p>No. 84255 O-RING OEM: 93210-49046</p> 	<p>No. 84260 O-RING OEM: 93210-41042</p> 	<p>No. 84265 O-RING OEM: 93210-66M98</p> 
<p>No. 84270 O-RING OEM: 93210-85M97</p> 	<p>No. 84275 O-RING OEM: 93210-60MA3</p> 	<p>No. 84280 O-RING OEM: 93210-60M99</p> 
<p>No. 84285 O-RING OEM: 93210-40M10</p> 	<p>No. 84290 O-RING OEM: 93210-46044</p> 	<p>No. 84295 O-RING OEM: 93210-86M38</p> 
<p>No. 84300 O-RING OEM: 93210-37M67</p> 	<p>No. 84305 O-RING OEM: 93210-59MG7</p> 	<p>No. 84310 O-RING OEM: 93210-45161</p> 
<p>No. 84320 O-RING OEM: 93210-08M60</p> 	<p>No. 84335 O-RING OEM: 93210-74316</p> 	<p>No. 84340 O-RING OEM: 93210-74M68</p> 
<p>No. 84350 O-RING OEM: 93210-56M80</p> 	<p>No. 84380 O-RING OEM: 93210-48001-00</p> 	<p>No. 84390 O-RING OEM: 93210-09350</p> 

Yamaha

YAMAHA GEARCASE SEAL KIT COMPONENTS

Oil Seals

<p>No. 85221 OIL SEAL OEM: 93101-30M17</p> 	<p>No. 85222 OIL SEAL OEM: 93101-28M16</p> 	<p>No. 85223 OIL SEAL OEM: 93106-09014</p> 
<p>No. 85224 OIL SEAL OEM: 93101-25M57</p> 	<p>No. 85225 OIL SEAL OEM: 93101-22067</p> 	<p>No. 85226 OIL SEAL OEM: 93110-16004</p> 
<p>No. 85227 OIL SEAL OEM: 93101-22M60</p> 	<p>No. 85228 OIL SEAL OEM: 93101-23070</p> 	<p>No. 85229 OIL SEAL OEM: 93101-25M03</p> 
<p>No. 85231 OIL SEAL OEM: 93101-20M07</p> 	<p>No. 85232 OIL SEAL OEM: 93102-20484</p> 	<p>No. 85660 OIL SEAL OEM: 93101-17054</p> 
<p>No. 85658 OIL SEAL OEM: 93101-13M27</p> 	<p>No. 85234 OIL SEAL, WATER PUMP HSG. OEM: 93104-22M07</p> 	<p>No. 85235 OIL SEAL, DRIVE SHAFT OEM: 93101-28018</p> 
<p>No. 85236 OIL SEAL, PROP SHAFT OEM: 93101-35018</p> 	<p>No. 85237 OIL SEAL, SHIFT SHAFT OEM: 93101-12M70-0</p> 	<p>No. 85238 OIL SEAL OEM: 93104-16M01</p> 
<p>No. 85239 OIL SEAL OEM: 93101-30002</p>  <p style="text-align: right;">NEW</p>	<p>No. 85241 OIL SEAL OEM: 93101-20001</p>  <p style="text-align: right;">NEW</p>	

Section 3

Yamaha Cooling System

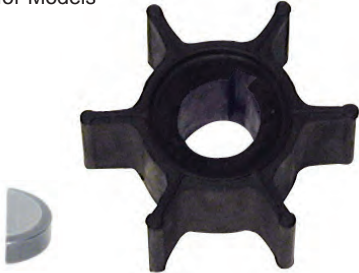
<i>Yamaha Water Pump Impellers & Impeller Kit</i>	64-65
<i>Yamaha Water Pump Kits - 9.9-15 HP (1986 & Up), (1996-13)</i>	66-67
<i>Yamaha Water Pump Kits - 20-25 HP (1988-2010)</i>	68
<i>Yamaha Water Pump Kits - 25 & 30 HP</i>	69
<i>Yamaha Water Pump Kits - 25, 30, 40 & 50 HP 3-Cylinder</i>	70
<i>Yamaha Water Pump Kits - F-25 & C-30 HP</i>	71
<i>Yamaha Water Pump Kits - T-25, F-30 & F-40 HP 4-Stroke</i>	72
<i>Yamaha Water Pump Kits - 30, 40, E48, 50, 55 & 60 HP</i>	73
<i>Yamaha Water Pump Kits - 40-60 HP</i>	74
<i>Yamaha Water Pump Kits - C/CV-40 HP</i>	75
<i>Yamaha Water Pump Kits - 50-70 HP</i>	76
<i>Yamaha Water Pump Kits - C/CV-55 HP</i>	77
<i>Yamaha Water Pump Kits - 60, 70, 75, 85 & 90 HP</i>	78
<i>Yamaha Water Pump Kits - F-75, F-80, F-90 & F-100 HP</i>	79
<i>Yamaha Water Pump Kits - 115-300 HP Quick Guide</i>	80
<i>Yamaha Water Pump Service Kits - 115-300 HP</i>	81
<i>Yamaha Water Pump Kits - 115 HP 4-Stroke</i>	82
<i>Yamaha Water Pump Kits - 115-130 HP 2 & 4-Stroke</i>	83
<i>Yamaha Water Pump Kits - 115 & 150 HP 2-Stroke</i>	84
<i>Yamaha Water Pump Kits - 150-300 HP 2-Stroke</i>	85
<i>Yamaha Water Pump Kits - 150-300 HP 2 & 4-Stroke</i>	86
<i>Yamaha Water Pump Kits - VF200-VF250 HP 4-Stroke</i>	87
<i>Yamaha Water Pump Kits - F225-F300 HP V6</i>	88
<i>Yamaha Water Pump Kits - 250 HP 4-Stroke</i>	89
<i>Yamaha Water Pump Kits - 300-350 HP V8 4-Stroke</i>	90
<i>Yamaha Water Pump Kit Applications</i>	91-93
<i>Yamaha Thermostats</i>	94
<i>Yamaha Thermostat Applications</i>	95

Yamaha

YAMAHA WATER PUMP IMPELLERS

No. 89870

IMPELLER
OEM: 6G1-44352-00
See Water Pumps
Application Guide
for Models



*No. N/A

KEY, WOODRUFF
OEM: 28-81912M

*Order Separately

No. 89860

IMPELLER
OEM: 6E0-44352-00
See Water Pumps
Application Guide
for Models



*No. N/A

KEY, PIN
OEM: 17-82355M

*Order Separately

No. 89850

IMPELLER
OEM: 646-44352-01
See Water Pumps
Application Guide
for Models



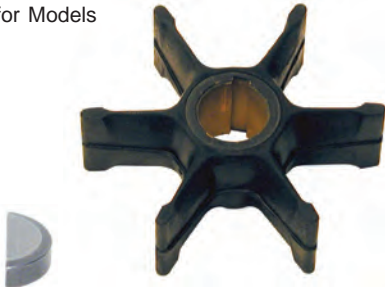
*No. N/A

KEY, PIN
OEM: 17-82355M

*Order Separately

No. 89660

IMPELLER
OEM: 6F5-44352-00
See Water Pumps
Application Guide
for Models



*No. 89595

KEY, WOODRUFF
OEM: 90280-04M04-00

*Order Separately

No. 89619

IMPELLER
OEM: 63V-44352-01
See Water Pumps
Application Guide
for Models



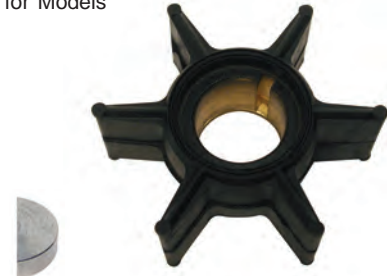
*No. 89589

KEY, WOODRUFF
OEM: 664-44338-00

*Order Separately

No. 89900

IMPELLER
OEM: 6H4-44352-02-00
See Water Pumps
Application Guide
for Models



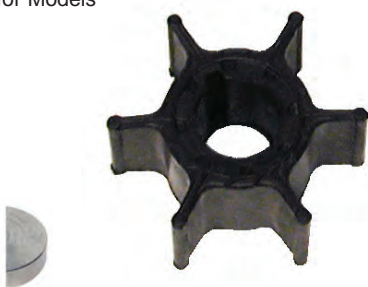
*No. 89587

KEY, WOODRUFF
OEM: 90280-03024

*Order Separately

No. 89880

IMPELLER
OEM: 682-44352-03
See Water Pumps
Application Guide
for Models



*No. 89587

KEY, WOODRUFF
OEM: 90280-03024

*Order Separately

No. 89622

IMPELLER
OEM: 6L2-44352-00
See Water Pumps
Application Guide
for Models



*No. 89587

KEY, WOODRUFF
OEM: 90280-03024

*Order Separately

No. 89890

IMPELLER
OEM: 689-44352-02
See Water Pumps
Application Guide
for Models



*No. 89589

KEY, WOODRUFF
OEM: 664-44338-00

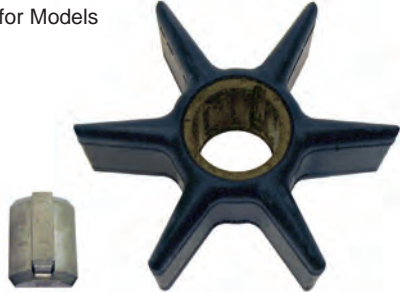
*Order Separately

Yamaha

YAMAHA WATER PUMP IMPELLERS

No. 89960

IMPELLER
OEM: 6AW-44352-00
See Water Pumps
Application Guide
for Models

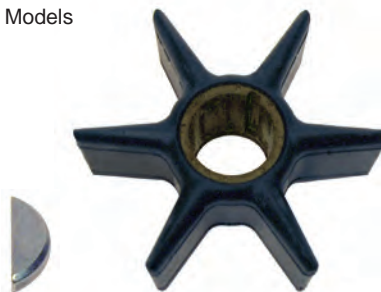


*No. 89586

KEY
OEM: 6AW-44336-00 *Order Separately

No. 89300

IMPELLER
OEM: 6CE-44352-00-00
See Water Pumps
Application Guide
for Models



*No. 89588

KEY, WOODRUFF *Order Separately
OEM: 90280-04002-00

No. 89624

IMPELLER
OEM: 67F-44352-00
See Water Pumps
Application Guide
for Models



*No. 89595

KEY, WOODRUFF
OEM: 90280-04M04-00 *Order Separately

No. 89920

IMPELLER
OEM: 688-44352-03
See Water Pumps
Application Guide
for Models



*No. 89595

KEY, WOODRUFF
OEM: 90280-04M04-00 *Order Separately

No. 89910

IMPELLER
OEM: 6H3-44352-00
See Water Pumps
Application Guide
for Models



*No. 89599

KEY, WOODRUFF
OEM: 90280-03M03-00 *Order Separately

No. 89930

IMPELLER
OEM: 6E5-44352-01-00
See Water Pumps
Application Guide
for Models



*No. 89588

KEY, WOODRUFF
OEM: 90280-04M05-00, 90280-04002-00 *Order Separately

No. 89932

IMPELLER KIT
OEM: N/A



For 115 thru 300 HP
See Pg. 73 for Models

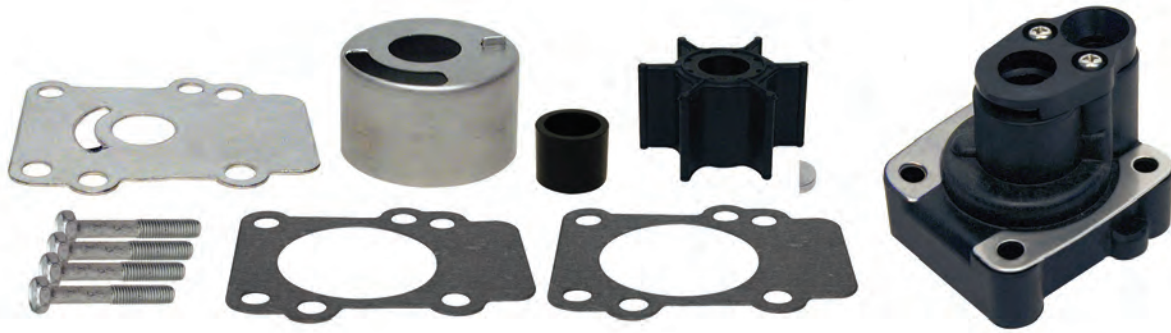
Kit Contains:

GLM	OEM	ITEM
84300	93210-37M67	O-ring
84295	93210-86M38	O-ring
89930	6E5-44352-01-00	Impeller
89588	90280-04002-00	Key, woodruff



Yamaha

YAMAHA WATER PUMP KITS - 9.9-15 HP (1986 & Up)



No. 12278 / No. 12273

No. 12281 / No. 12269

No. 12281

COMPLETE WATER PUMP KIT
OEM: 682-W0078-A1-00 +
682-44300-01-00

No. 12269

COMPLETE WATER PUMP KIT
OEM: 682-W0078-A3-00 +
682-44300-01-00

No. 12278

WATER PUMP KIT
w/o HOUSING
OEM: 682-W0078-A1

No. 12273

WATER PUMP KIT
w/o HOUSING
OEM: 682-W0078-A3

Kits contain these items also available individually

No. 22428

BOLT (4)
For No. 12281/12278
OEM: 97095-06040



No. 89587

KEY, WOODRUFF
OEM: 90280-03024



No. 22426

BOLT (4)
For No. 12269/12273
OEM: 97095-06045



No. 38107

GASKET, WATER PUMP (2)
OEM: 682-44315-A0



No. 12877

DAMPER, WATER SEAL
OEM: 682-44365-00



No. 12515

WEAR PLATE
OEM: 682-44323-00



No. 12448

WATER PUMP HSG ASSY.
OEM: 682-44300-01-00



No. 12876

PUMP CUP
OEM: 682-44322-00



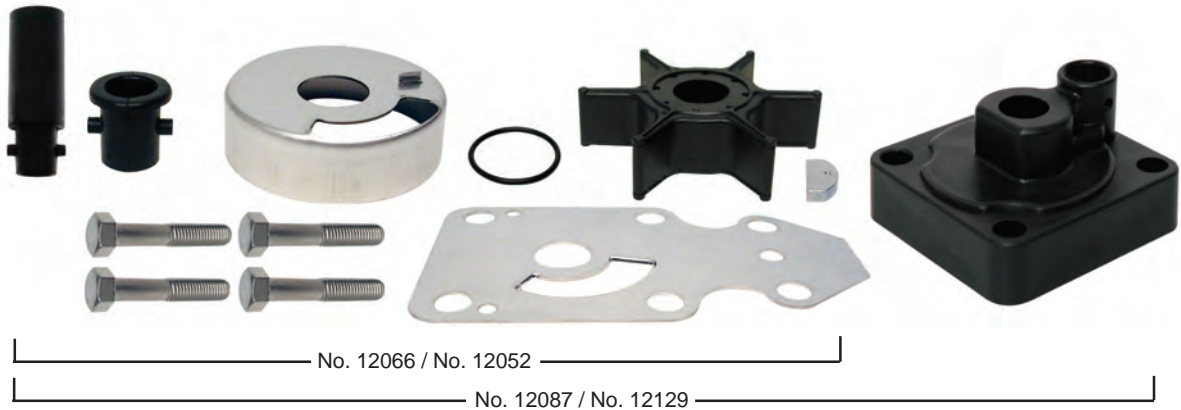
No. 89880

IMPELLER
OEM: 682-44352-03



Yamaha

YAMAHA WATER PUMP KITS - 9.9-15 HP (1996-2013)



No. 12087

COMPLETE WATER PUMP KIT
OEM: 63V-W0078-01
+ 63V-44301-00-00

No. 12129

COMPLETE WATER PUMP KIT
OEM: 69G-W0078-01
+ 63V-44301-00-00

No. 12066

WATER PUMP KIT
w/o HOUSING
OEM: 63V-W0078-02

No. 12052

WATER PUMP KIT
w/o HOUSING
OEM: 69G-W0078-00

Kit contains these items also available individually

No. 22502

BOLT (4)
For No. 12087/12066
OEM: 97080-08045-00



No. 89619

IMPELLER
OEM: 63V-44352-01



No. 22428

BOLT (4)
For No. 12129/12052
OEM: 97095-08045-00



No. 89589

KEY, WOODRUFF
OEM: 664-44338-00



No. 12865

DAMPER, WATER SEAL
For No. 12087/12066
OEM: 647-44366-00



No. 12517

WEAR PLATE
For No. 12087/12066
OEM: 63V-44323-00



No. 86324

DAMPER, WATER SEAL
For No. 12129/12052
OEM: 68T-44366-00



No. 12516

WEAR PLATE
For No. 12129/12052
OEM: 68T-44323-00



No. 12445

WATER PUMP HOUSING
OEM: 63V-44301-00-00



No. 84370

O-RING
OEM: 93210-44704-00



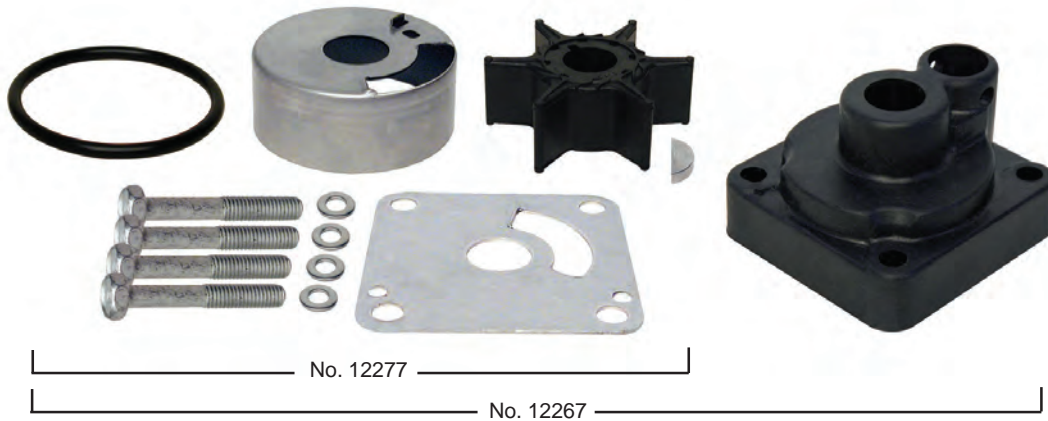
No. 12809

PUMP CUP
OEM: 63V-44322-00



Yamaha

YAMAHA WATER PUMP KITS - 20-25 HP (1988-2010)



No. 12267
 COMPLETE WATER PUMP KIT
 OEM: 6L2-W0078-00 +
 6L2-44311-00-00

No. 12277
 WATER PUMP KIT w/o HOUSING
 OEM: 6L2-W0078-00

Kit contains these items also available individually

No. 22428
 BOLT (4)
 OEM: 97095-06040



No. 89622
 IMPELLER
 OEM: 6L2-44352-00



No. 21490
 WASHER (4)
 OEM: 92990-06600-00



No. 89587
 KEY, WOODRUFF
 OEM: 90280-03024



No. 12455
 WATER PUMP HOUSING
 OEM: 6L2-44311-00-00



No. 12508
 WEAR PLATE
 OEM: 6L2-44323-00



No. 84310
 O-RING
 OEM: 93210-45161



No. 12866
 PUMPCUP
 OEM: 6L2-44322-00



Yamaha

YAMAHA WATER PUMP KITS - 25 & 30 HP



No. 12059

COMPLETE WATER PUMP KIT
OEM: 689-W0078-A6

Kit contains these items also available individually

No. 23234

BOLT (3)
OEM: 97080-06030-00



No. 89589

KEY, WOODRUFF
OEM: 664-44338-00



No. 21490

WASHER (3)
OEM: 92990-06600-00



No. 38109

GASKET, PUMP CUP
OEM: 689-44324-A0



No. 12869

DAMPER, WATER SEAL
OEM: 626-44365-01



No. 12527

WEAR PLATE
OEM: 689-44323-03



No. 12076

WATER PUMP HOUSING
OEM: 689-44311-03



No. 38108

GASKET, WEAR PUMP
OEM: 689-44316-A0



No. 12868

PUMPCUP
OEM: 689-W4432-02-00



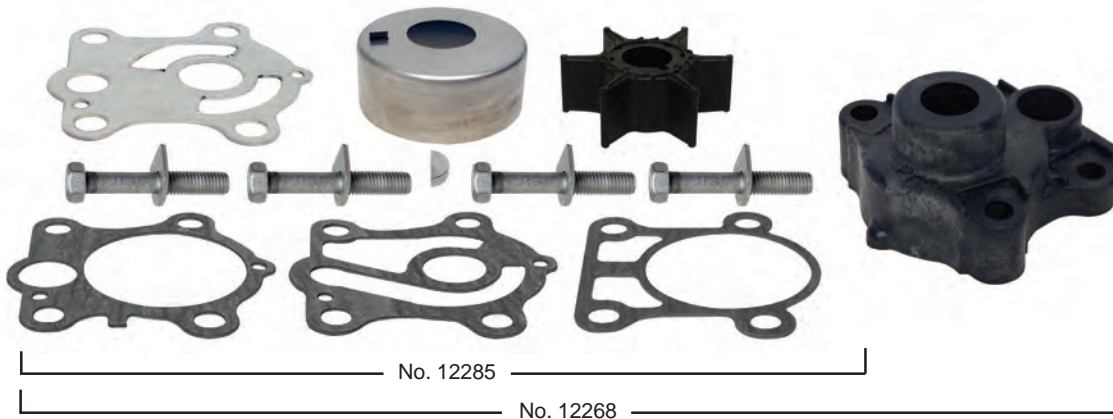
No. 89890

IMPELLER
OEM: 689-44352-00



Yamaha

YAMAHA WATER PUMP KITS - 25, 30, 40 & 50 HP 3-CYL.



No. 12268

COMPLETE WATER PUMP KIT
OEM: 6J8-W0078-A2 +
6J8-44311-00

No. 12285

WATER PUMP KIT w/o HOUSING
OEM: 6J8-W0078-A2

Kit contains these items also available individually

No. 22292

BOLT w/ WASHER (2)
OEM: 90119-08M34



No. 38106

GASKET, WATER PUMP
OEM: 663-44315-A0



No. 22508

BOLT w/ WASHER (2)
OEM: 90119-08M13-00



No. 12526

WEAR PLATE
OEM: 663-44323-00



No. 12452

WATER PUMP HOUSING
OEM: 6J8-44311-00-00



No. 38011

GASKET, WEAR PLATE
OEM: 663-44324-A0



No. 12864

PUMP CUP
OEM: 663-44322-00



No. 38010

GASKET, WATER PUMP
OEM: 663-443160-A0



No. 89900

IMPELLER
OEM: 6H4-44352-02-00



No. 89587

KEY, WOODRUFF
OEM: 90280-03024



Yamaha

YAMAHA WATER PUMP KITS - F-25 & C-30 HP



No. 12127

COMPLETE WATER PUMP KIT
OEM: 61N-W0078-11-00

Kit contains these items also available individually

No. 38304

DAMPER, WATER SEAL
OEM: 6L2-44367-00-00



No. 89900

IMPELLER
OEM: 6H4-44352-02-00



No. 22428

BOLT (4)
OEM: 97095-06040-00



No. 89587

KEY, WOODRUFF
OEM: 90280-03024-00



No. 21490

WASHER (4)
OEM: 92990-06600-00



No. 12533

WEAR PLATE
OEM: 61N-44323-00-00



No. 12453

WATER PUMPHOUSING
OEM: 61N-44311-01-00



No. 84310

O-RING
OEM: 93210-45161-00



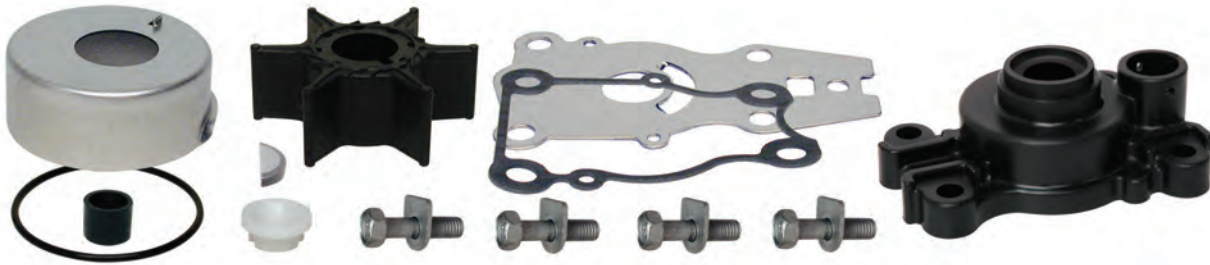
No. 12807

PUMPCUP
OEM: 61N-44322-01-00



Yamaha

YAMAHA WATER PUMP KITS - T-25, F-30 & F-40 HP 4-Stroke



No. 12272 / No. 12303

No. 12266 / No. 12238

No. 12266

COMPLETE WATER PUMP KIT
OEM: 66T-W0078-00 +
66T-44311-00

No. 12238

COMPLETE WATER PUMP KIT
OEM: 6BG-W0078-00 +
66T-44311-00

No. 12272

WATER PUMP KIT
w/o HOUSING
OEM: 66T-W0078-00

No. 12303

WATER PUMP KIT
w/o HOUSING
OEM: 6BG-W0078-00

Kits contain these items also available individually

No. 22429

BOLT w/ WASHER (4)
OEM: 90119-08M15



No. 89599

KEY, WOODRUFF
OEM: 90280-03M03



No. 12874

COVER, PUMP HSG.
OEM: 63D-44312-00



No. 84305

O-RING
OEM: 93210-59MG7



No. 12875

DAMPER, WATER SEAL
OEM: 663-44366-00



No. 12512

WEAR PLATE
For No. 12266/12272
OEM: 66T-44323-00



No. 12451

WATER PUMP HOUSING
OEM: 66T-44311-00



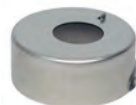
No. 12524

WEAR PLATE
For No. 12238/12303
OEM: 63D-44323-00



No. 12873

PUMP CUP
OEM: 63D-44322-00



No. 38008

GASKET, WATER PUMP
OEM: 63D-44316-00



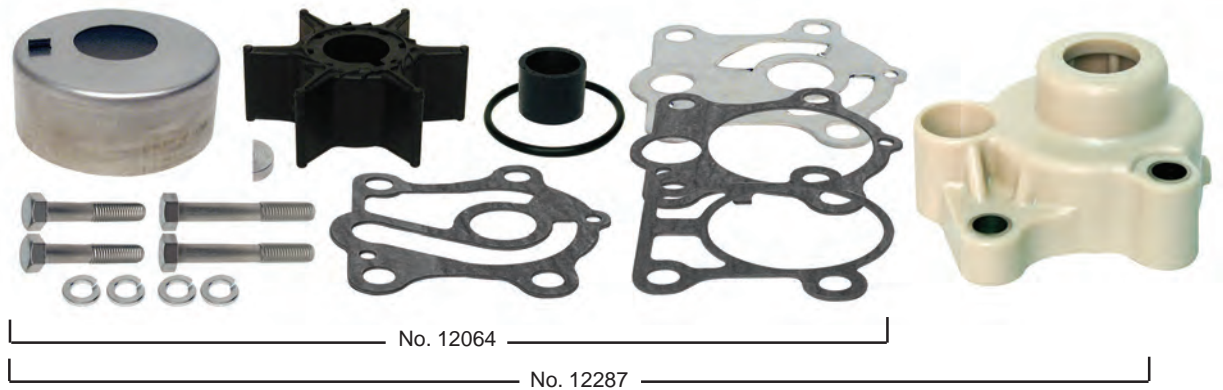
No. 89900

IMPELLER
OEM: 6H4-44352-02



Yamaha

YAMAHA WATER PUMP KITS - 30, 40, E48, 50, 55 & 60 HP



No. 12287
 COMPLETE WATER PUMP KIT
 OEM: 6H4-W0078-A0
 + 663-44311-02-00

No. 12064
 WATER PUMP KIT w/o HOUSING
 OEM: 6H4-W0078-A0

Kits contain these items also available individually

No. 22503
 BOLT (2)
 OEM: 97080-08055



No. 89900
 IMPELLER
 OEM: 6H4-44352-02-00



No. 22502
 BOLT (2)
 OEM: 97080-08045



No. 89587
 KEY, WOODRUFF
 OEM: 90280-03024



No. 21720
 WASHER (4)
 OEM: 92990-08600-00



No. 38106
 GASKET, WATER PUMP
 OEM: 663-44315-A0



No. 12875
 DAMPER, WATER SEAL
 OEM: 663-44366-00



No. 12526
 WEAR PLATE
 OEM: 663-44323-00



No. 12446
 WATER PUMP HOUSING
 OEM: 663-44311-02-00



No. 38011
 GASKET, WEAR PLATE
 OEM: 663-44324-A0



No. 12864
 PUMP CUP
 OEM: 663-44322-00

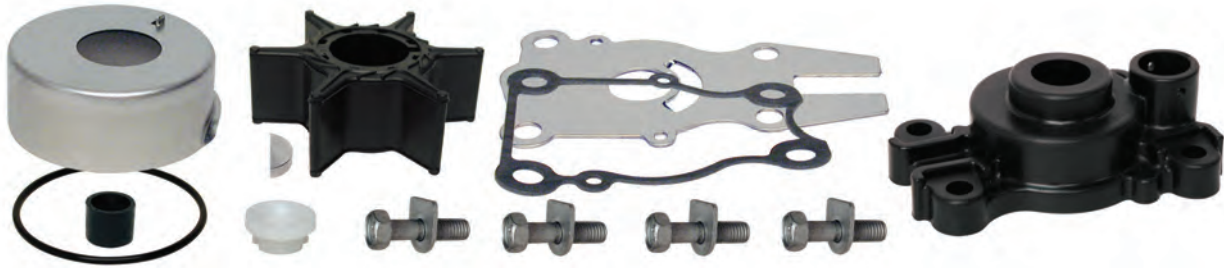


No. 38010
 GASKET, WATER PUMP
 OEM: 663-443160-A0



Yamaha

YAMAHA WATER PUMP KITS - 40-60 HP



_____ No. 12276 _____

_____ No. 12289 _____

No. 12289

COMPLETE WATER PUMP KIT
OEM: 63D-W0078-01
+ 63D-44311-00-00

No. 12276

WATER PUMP KIT w/o HOUSING
OEM: 63D-W0078-01
& 63D-W0078-00

Kits contain these items also available individually

No. 22429

BOLT w/ WASHER (4)
OEM: 90119-08M15



No. 89587

KEY, WOODRUFF
OEM: 90280-03024



No. 12874

COVER, PUMP HSG.
OEM: 63D-44312-00



No. 84305

O-RING
OEM: 93210-59MG7



No. 12875

DAMPER, WATER SEAL
OEM: 663-44366-00



No. 12524

WEAR PLATE
OEM: 63D-44323-00



No. 12079

WATER PUMP HOUSING
OEM: 63D-44311-01-00



No. 38008

GASKET, WATER PUMP
OEM: 63D-44316-00



No. 12873

PUMP CUP
OEM: 63D-44322-00



No. 89910

IMPELLER
OEM: 6H3-44352-00



Yamaha

YAMAHA WATER PUMP KITS - C/CV-40 HP



No. 12237
COMPLETE WATER PUMP KIT
OEM: 679-W0078-A1 +
676-44311-00

No. 12302
WATER PUMP KIT
w/o HOUSING
OEM: 679-W0078-A1-00
& 6F5-W0078-A0-00

Kit contains these items also available individually

No. 22503
BOLT (2)
OEM: 97080-08055



No. 22502
BOLT (2)
OEM: 97080-08045



No. 21720
WASHER (4)
OEM: 92990-08600-00



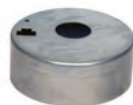
No. 12875
DAMPER, WATER SEAL
OEM: 663-44366-00



No. 12454
WATER PUMP HOUSING
OEM: 676-44311-00



No. 12805
PUMPCUP
OEM: 676-44322-00-00



No. 89660
IMPELLER
OEM: 6F5-44352-00-00



No. 89595
KEY, WOODRUFF
OEM: 90280-04M00-00



No. 38058
GASKET, WATER PUMP
OEM: 676-44315-A1-00



No. 12509
WEAR PLATE
OEM: 676-44323-00-00



No. 38059
GASKET, WATER PUMP
OEM: 676-44324-A1-00



No. 38061
GASKET, WATER PUMP
OEM: 679-44316-A1-00



No. 38062
GASKET, WATER PUMP
OEM: 676-44316-A1-00



Yamaha

YAMAHA WATER PUMP KITS - 50-70 HP



No. 12283

No. 12291

No. 12291

COMPLETE WATER PUMP KIT

OEM: 6H3-W0078-01, 6H3-W0078-02
+ 6H3-44311-02-00

No. 12283

WATER PUMP KIT w/o HOUSING

OEM: 6H3-W0078-A0, 6H3-W0078-02
& 6K5-W0078-01

Kits contain these items also available individually

No. 22291

BOLT w/ WASHER (2)
OEM: 90119-08M33-00



No. 38004

GASKET, WATER PUMP
OEM: 6H3-44315-A0



No. 22504

BOLT w/ WASHER (2)
OEM: 90119-08M14-00



No. 12514

WEAR PLATE
OEM: 6H3-44323-00



No. 12447

WATER PUMP HOUSING
OEM: 6H3-44311-02-00



No. 38005

GASKET, WEAR PLATE
OEM: 6H3-44324-A0



No. 12864

PUMP CUP
OEM: 663-44322-00



No. 38002

GASKET, WATER PUMP
OEM: 688-44316-A0



No. 89910

IMPELLER
OEM: 6H3-44352-00



No. 84290

O-RING
OEM: 93210-46044-00



No. 89599

KEY, WOODRUFF
OEM: 90280-03M03-00



Yamaha

YAMAHA WATER PUMP KITS - C/CV-55 HP



No. 12288

COMPLETE WATER PUMP KIT
 OEM: 663-W0078-01, 663-W0078-A0
 + 663-44311-02-00

No. 12279

WATER PUMP KIT w/o HOUSING
 OEM: 663-W0078-01,
 663-W0078-A0

Kits contain these items also available individually

No. 22503

BOLT (2)
 OEM: 97080-08055



No. 89910

IMPELLER
 OEM: 6H3-44352-00



No. 22502

BOLT (2)
 OEM: 97080-08045



No. 89599

KEY, WOODRUFF
 OEM: 90280-03M03-00



No. 21720

WASHER (4)
 OEM: 92990-08600-00



No. 38106

GASKET, WATER PUMP
 OEM: 663-44315-A0



No. 12875

DAMPER, WATER SEAL
 OEM: 663-44366-00



No. 12526

WEAR PLATE
 OEM: 663-44323-00



No. 12446

WATER PUMP HOUSING
 OEM: 663-44311-02-00



No. 38011

GASKET, PUMP CUP
 OEM: 663-44324-A0



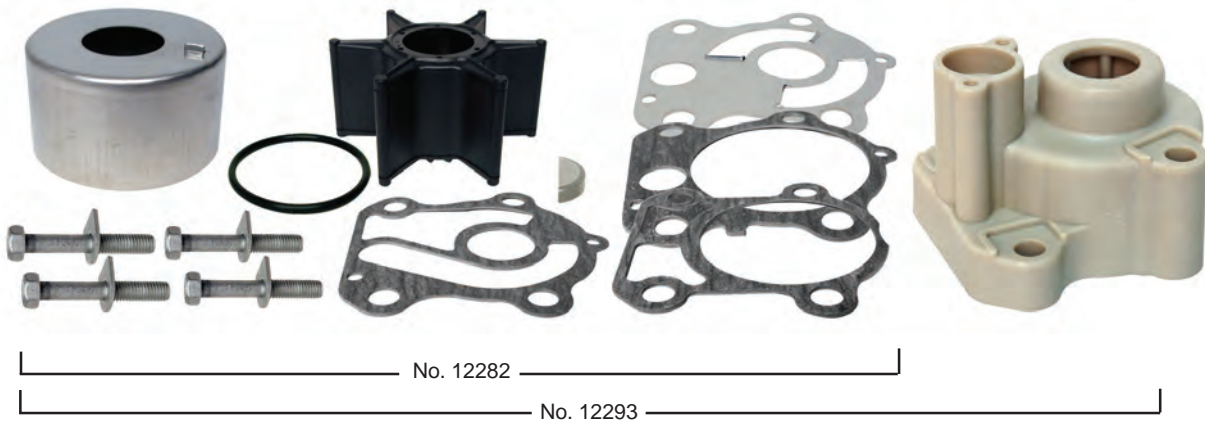
No. 12864

PUMPCUP
 OEM: 663-44322-00



Yamaha

YAMAHA WATER PUMP KITS - 60, 70, 75, 85 & 90 HP



No. 12293

COMPLETE WATER PUMP KIT
OEM: 692-W0078-02
+ 688-44311-01-00

No. 12282

WATER PUMP KIT w/o HOUSING
OEM: 692-W0078-02, 692-W0078-01
& 692-W0078-A0

Kits contain these items also available individually

No. 22293

BOLT w/ WASHER (2)
OEM: 90119-08M16-00



No. 38001

GASKET, WATER PUMP
OEM: 688-44315-A0



No. 22508

BOLT w/ WASHER (2)
OEM: 90119-08M13-00



No. 12513

WEAR PLATE
OEM: 688-44323-00



No. 12078

WATER PUMP HOUSING
OEM: 688-44311-01-00



No. 38003

GASKET, WEAR PLATE
OEM: 688-44324-A0



No. 12862

PUMPCUP
OEM: 688-44322-00



No. 38002

GASKET, WATER PUMP
OEM: 688-44316-A0



No. 89920

IMPELLER
OEM: 688-44352-03



No. 84290

O-RING
OEM: 93210-46044-00



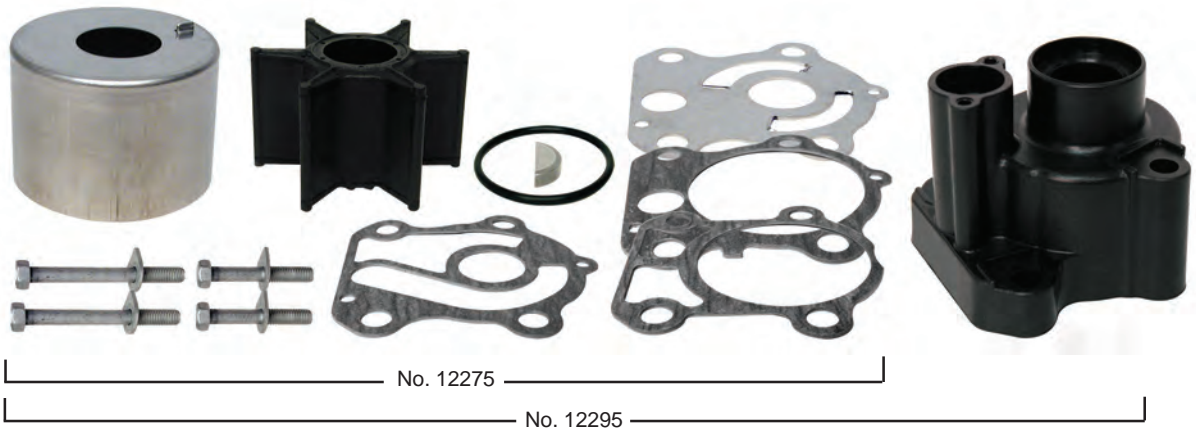
No. 89595

KEY, WOODRUFF
OEM: 90280-04M04



Yamaha

YAMAHA WATER PUMP KITS - F-75, F-80, F-90 & F-100 HP



No. 12295
 COMPLETE WATER PUMP KIT
 OEM: 67F-W0078-00
 + 67F-44311-01-00

No. 12275
 WATER PUMP KIT w/o HOUSING
 OEM: 67F-W0078-00

Kits contain these items also available individually

No. 22509
 BOLT w/ WASHER (2)
 OEM: 90119-08M87



No. 38001
 GASKET, WATER PUMP
 OEM: 688-44315-A0



No. 22508
 BOLT w/ WASHER (2)
 OEM: 90119-08M13



No. 12523
 WEAR PLATE
 OEM: 67F-44323-00



No. 12443
 WATER PUMPHOUSING
 OEM: 67F-44311-01-00



No. 38003
 GASKET, WEAR PLATE
 OEM: 688-44324-A0



No. 12872
 PUMPCUP
 OEM: 67F-44322-00



No. 38002
 GASKET, WATER PUMP
 OEM: 688-44316-A0



No. 89624
 IMPELLER
 OEM: 67F-44352-00



No. 84290
 O-RING
 OEM: 93210-46044











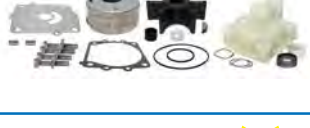
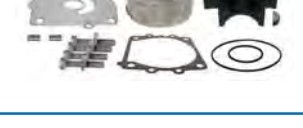







No. 89595
 KEY, WOODRUFF
 OEM: 90280-04M04



Yamaha

YAMAHA WATER PUMP KITS - 115-300 HP QUICK GUIDE

Housing Kit	Complete w/ Housing	Without Housing	HP / 2 or 4-Stroke
No. 12419 OEM: N/A For 115 thru 300HP 	No. 12296 OEM: 68V-W0078-00 + 61A-44311-00-00 	No. 12067 OEM: 68V-W0078-00 	115 HP 4-Stroke
	No. 12297 OEM: 6N6-W0078-02, 6E5-W0078-A1 + 61A-44311-01-00 	No. 12286 OEM: 6N6-W0078-02 	115-130 HP 2-Stroke & 4-Stroke
	No. 12298 OEM: 65N-W0078-A1 + 61A-44311-00-00 	No. 12075 OEM: 65N-W0078-A1 	115 & 150 HP 2-Stroke
	No. 12261 OEM: 60X-W0078-00 + 61A-44311-01-00 	No. 12068 OEM: 60X-W0078-00 	150-300 HP 2-Stroke
Anti-Knock Washer Kit			
No. 11199 OEM: N/A For 115 thru 300HP 	No. 12262 OEM: 61A-W0078-A3 + 61A-44311-01-00 	No. 12069 OEM: 61A-W0078-A3 	150-300 HP 2-Stroke & 4-Stroke
	No. 89932 OEM: N/A For 115 thru 300HP 	No. 12249 OEM: 6CB-W0078-00 + 61A-44311-01-00 	No. 12259 OEM: 6CB-W0078-00 
	No. 12263 OEM: 6P2-W0078-00 + 61A-44311-01-00 	No. 12258 OEM: 6P2-W0078-00 	250 HP 4-Stroke

Yamaha

YAMAHA WATER PUMP SERVICE KITS - 115-300 HP



No. 12419
 WATER PUMP HOUSING KIT
 OEM: N/A

No. 89932
 WATER PUMP IMPELLER KIT
 OEM: N/A

No. 11199
 ANTI-KNOCK WASHER KIT
 OEM: N/A



Kits contain these items also available individually

No. 22504
 BOLT, w/ WASHER (4)
 OEM: 90119-08M14



No. 84295
 O-RING
 OEM: 93210-86M38



No. 12839
 COVER
 OEM: 6E5-44312-00-00



No. 12870
 PUMP CUP
 OEM: 61A-44322-02



No. 38300
 DAMPER
 OEM: 6E5-44365-00-00



No. 89930
 IMPELLER
 OEM: 6E5-44352-01-00



No. 12074
 WATER PUMP HOUSING
 OEM: 61A-44311-01-00



No. 89588
 KEY, WOODRUFF
 OEM: 90280-04002-00



No. 12808
 PIN, DOWELL (2)
 OEM: 93606-12019



No. 11199*
 ANTI-KNOCK WASHER KIT
 OEM: N/A
 *Items not sold separately

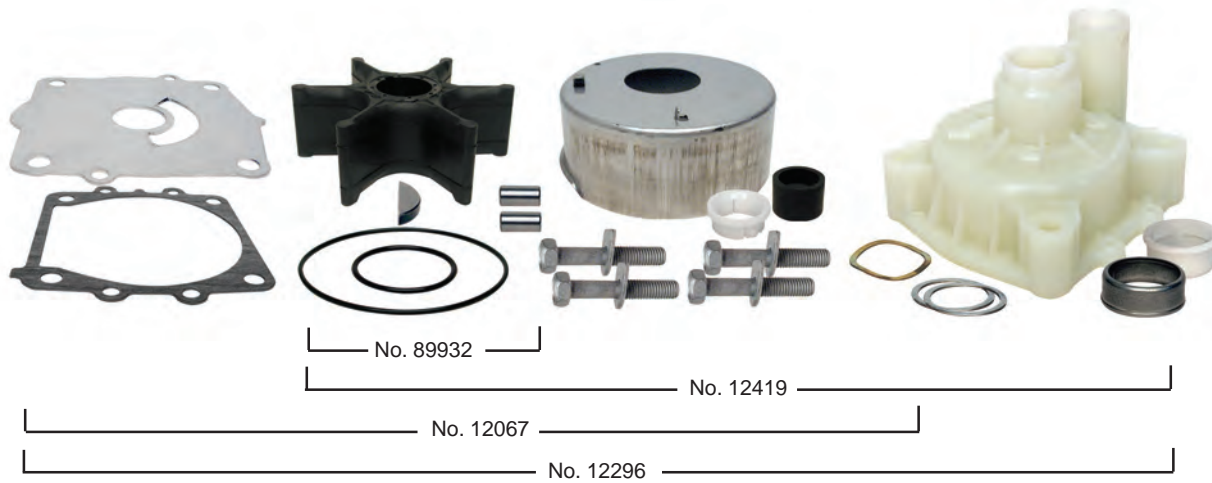


No. 84300
 O-RING
 OEM: 93210-37M67



Yamaha

YAMAHA WATER PUMP KITS - 115 HP



No. 12296

COMPLETE WATER PUMP KIT
OEM: 68V-W0078-00
+ 61A-44311-00-00

No. 12419

WATER PUMP HOUSING KIT
OEM: N/A

No. 12067

WATER PUMP KIT w/o HOUSING
OEM: 68V-W0078-00

No. 89932

WATER PUMP IMPELLER KIT
OEM: N/A

Kits contain these items also available individually

No. 22504

BOLT, w/ WASHER (4)
OEM: 90119-08M14



No. 84295

O-RING
OEM: 93210-86M38



No. 12839

COVER
OEM: 6E5-44312-00-00



No. 12870

PUMP CUP
OEM: 61A-44322-02



No. 38300

DAMPER
OEM: 6E5-44365-00-00



No. 89930

IMPELLER
OEM: 6E5-44352-01-00



No. 12074

WATER PUMP HOUSING
OEM: 61A-44311-01-00



No. 89588

KEY, WOODRUFF
OEM: 90280-04002-00



No. 12808

PIN, DOWELL (2)
OEM: 93606-12019



No. 12518

WEAR PLATE
OEM: 68V-44323-00



No. 84300

O-RING
OEM: 93210-37M67



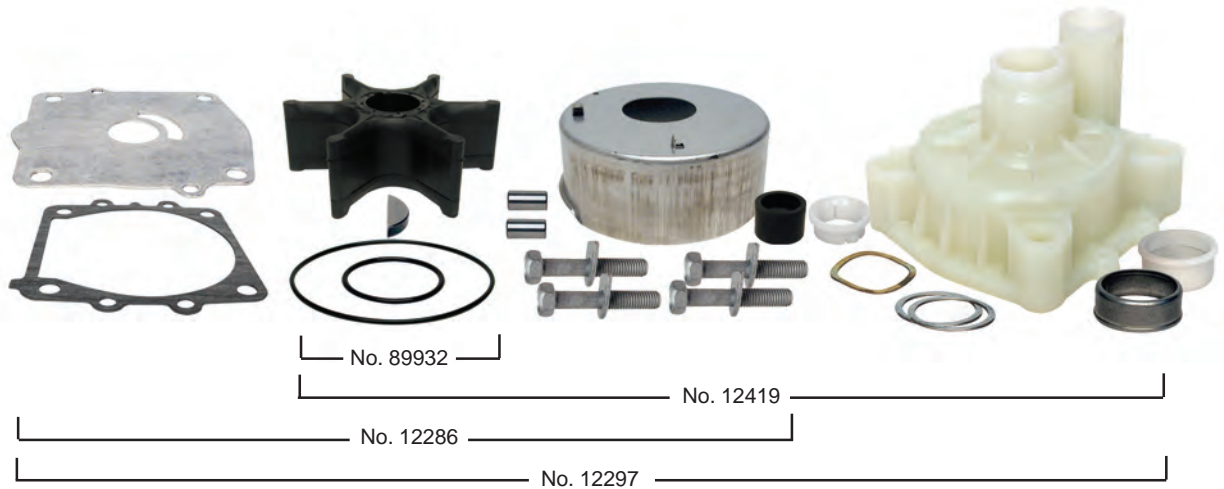
No. 38000

GASKET, WATER PUMP
OEM: 6E5-44315-A0



Yamaha

YAMAHA WATER PUMP KITS - 115-130 HP



No. 12297

COMPLETE WATER PUMP KIT
OEM: 6N6-W0078-02,
6E5-W0078-A1 + 61A-44311-01-00

No. 12419

WATER PUMP
HOUSING KIT
OEM: N/A

No. 12286

WATER PUMP KIT w/o HOUSING
OEM: 6N6-W0078-02,
6E5-W0078-A1
& 6N6-W0078-00

No. 89932

WATER PUMP
IMPELLER KIT
OEM: N/A

Kits contain these items also available individually

No. 22504

BOLT, w/ WASHER (4)
OEM: 90119-08M14



No. 84295

O-RING
OEM: 93210-86M38



No. 12839

COVER
OEM: 6E5-44312-00-00



No. 12870

PUMP CUP
OEM: 61A-44322-02



No. 38300

DAMPER
OEM: 6E5-44365-00-00



No. 89930

IMPELLER
OEM: 6E5-44352-01-00



No. 12074

WATER PUMP HOUSING
OEM: 61A-44311-01-00



No. 89588

KEY, WOODRUFF
OEM: 90280-04002-00



No. 12808

PIN, DOWELL (2)
OEM: 93606-12019



No. 12522

WEAR PLATE
OEM: 6E5-44323-00



No. 84300

O-RING
OEM: 93210-37M67



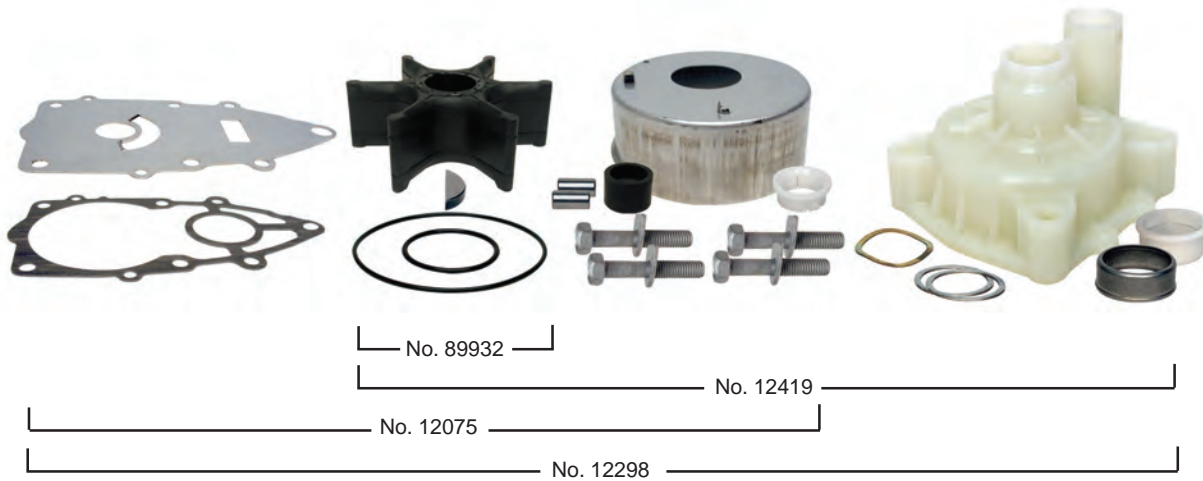
No. 38000

GASKET, WATER PUMP
OEM: 6E5-44315-A0



Yamaha

YAMAHA WATER PUMP KITS - 115 HP & 150 HP



No. 12298
 COMPLETE WATER PUMP KIT
 OEM: 65N-W0078-A1
 + 61A-44311-00-00

No. 12419
 WATER PUMP
 HOUSING KIT
 OEM: N/A

No. 12075
 WATER PUMP KIT w/o HOUSING
 OEM: 65N-W0078-A1

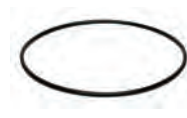
No. 89932
 WATER PUMP
 IMPELLER KIT
 OEM: N/A

Kits contain these items also available individually

No. 22504
 BOLT, w/ WASHER (4)
 OEM: 90119-08M14



No. 84295
 O-RING
 OEM: 93210-86M38



No. 12839
 COVER
 OEM: 6E5-44312-00-00



No. 12870
 PUMP CUP
 OEM: 61A-44322-02



No. 38300
 DAMPER
 OEM: 6E5-44365-00-00



No. 89930
 IMPELLER
 OEM: 6E5-44352-01-00



No. 12074
 WATER PUMP HOUSING
 OEM: 61A-44311-01-00



No. 89588
 KEY, WOODRUFF
 OEM: 90280-04002-00



No. 12808
 PIN, DOWELL (2)
 OEM: 93606-12019



No. 12521
 WEAR PLATE
 OEM: 65N-44323-00



No. 84300
 O-RING
 OEM: 93210-37M67

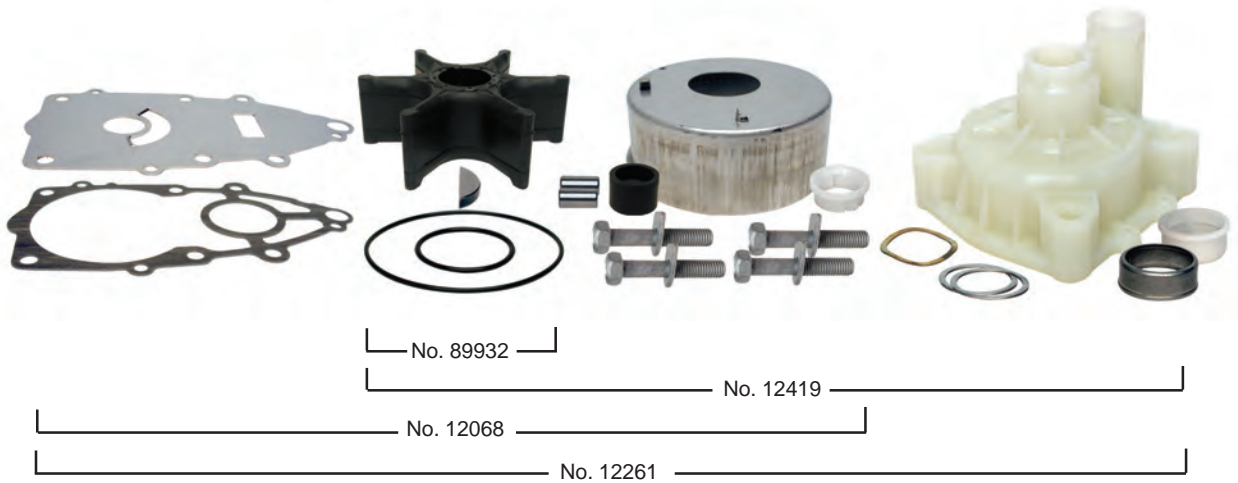


No. 38007
 GASKET, WATER PUMP
 OEM: 65N-44315-A0



Yamaha

YAMAHA WATER PUMP KITS - 150-300 HP - 2-STROKE



No. 12261

COMPLETE WATER PUMP KIT
OEM: 60X-W0078-00
+ 61A-44311-01-00

No. 12419

WATER PUMP
HOUSING KIT
OEM: N/A

No. 12068

WATER PUMP KIT w/o HOUSING
OEM: 60X-W0078-00

No. 89932

WATER PUMP
IMPELLER KIT
OEM: N/A

Kits contain these items also available individually

No. 22504

BOLT, w/ WASHER (4)
OEM: 90119-08M14



No. 84295

O-RING
OEM: 93210-86M38



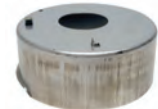
No. 12839

COVER
OEM: 6E5-44312-00-00



No. 12870

PUMP CUP
OEM: 61A-44322-02



No. 38300

DAMPER
OEM: 6E5-44365-00-00



No. 89930

IMPELLER
OEM: 6E5-44352-01-00



No. 12074

WATER PUMP HOUSING
OEM: 61A-44311-01-00



No. 89588

KEY, WOODRUFF
OEM: 90280-04002-00



No. 12808

PIN, DOWELL (2)
OEM: 93606-12019



No. 12519

WEAR PLATE
OEM: 60X-44323-00



No. 84300

O-RING
OEM: 93210-37M67



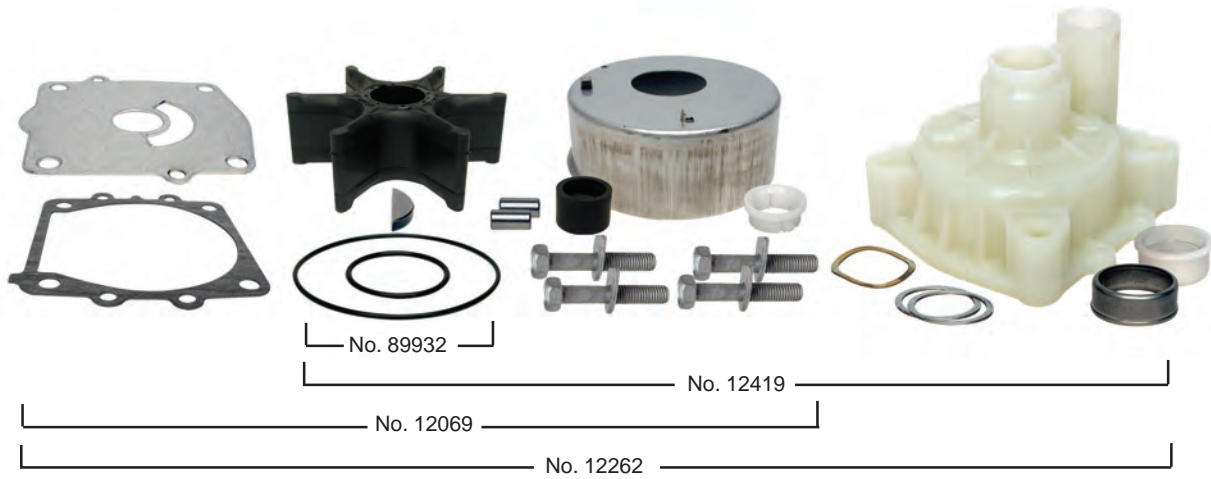
No. 38006

GASKET, WATER PUMP
OEM: 60X-44315-A0



Yamaha

YAMAHA WATER PUMP KITS - 150-300 HP - 2 & 4-STROKE



No. 12262

COMPLETE WATER PUMP KIT
OEM: 61A-W0078-A3
+ 61A-44311-01-00

No. 12419

WATER PUMP
HOUSING KIT
OEM: N/A

No. 12069

WATER PUMP KIT w/o HOUSING
OEM: 61A-W0078-A3, 61A-W0078-A1-00
& 695-W0078-A1-00

No. 89932

WATER PUMP
IMPELLER KIT
OEM: N/A

Kits contain these items also available individually

No. 22504

BOLT, w/ WASHER (4)
OEM: 90119-08M14



No. 84295

O-RING
OEM: 93210-86M38



No. 12839

COVER
OEM: 6E5-44312-00-00



No. 12870

PUMP CUP
OEM: 61A-44322-02



No. 38300

DAMPER
OEM: 6E5-44365-00-00



No. 89930

IMPELLER
OEM: 6E5-44352-01-00



No. 12074

WATER PUMP HOUSING
OEM: 61A-44311-01-00



No. 89588

KEY, WOODRUFF
OEM: 90280-04002-00



No. 12808

PIN, DOWELL (2)
OEM: 93606-12019



No. 12511

WEAR PLATE
OEM: 6G5-44323-00



No. 84300

O-RING
OEM: 93210-37M67



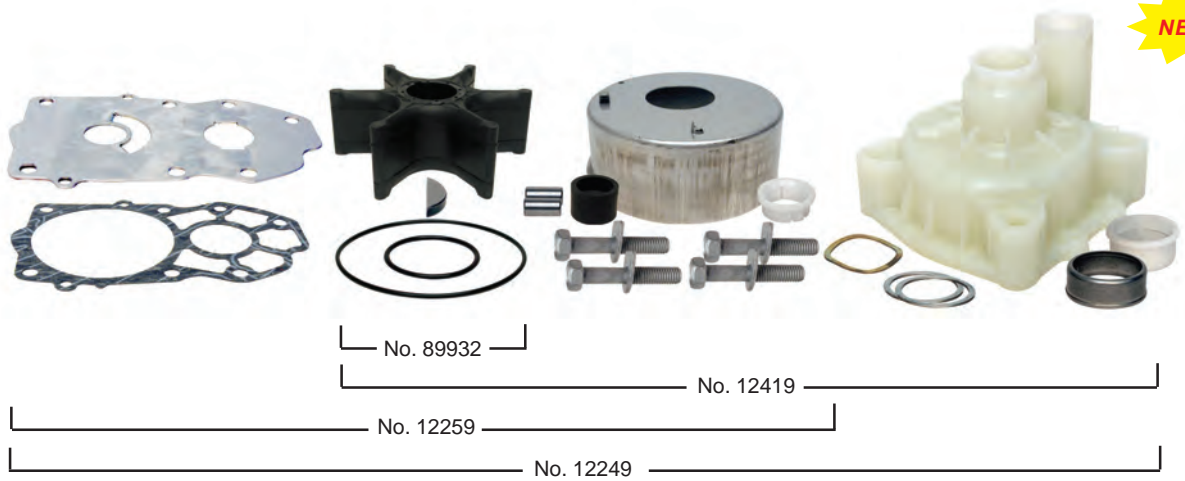
No. 38000

GASKET, WATER PUMP
OEM: 6E5-44315-A0



Yamaha

YAMAHA WATER PUMP KITS - VF200-VF250 HP



No. 12249
COMPLETE WATER PUMP KIT
OEM: 6CB-W0078-00
+ 61A-44311-01-00

No. 12419
WATER PUMP
HOUSING KIT
OEM: N/A

No. 12259
WATER PUMP KIT w/o HOUSING
OEM: 6CB-W0078-00

No. 89932
WATER PUMP
IMPELLER KIT
OEM: N/A

Kits contain these items also available individually

No. 22504
BOLT, w/ WASHER (4)
OEM: 90119-08M14



No. 84295
O-RING
OEM: 93210-86M38



No. 12839
COVER
OEM: 6E5-44312-00-00



No. 12870
PUMP CUP
OEM: 61A-44322-02



No. 38300
DAMPER
OEM: 6E5-44365-00-00



No. 89930
IMPELLER
OEM: 6E5-44352-01-00



No. 12074
WATER PUMP HOUSING
OEM: 61A-44311-01-00



No. 89588
KEY, WOODRUFF
OEM: 90280-04002-00



No. 12808
PIN, DOWELL (2)
OEM: 93606-12019



No. 12553
WEAR PLATE
OEM: 6CB-44323-00



No. 84300
O-RING
OEM: 93210-37M67

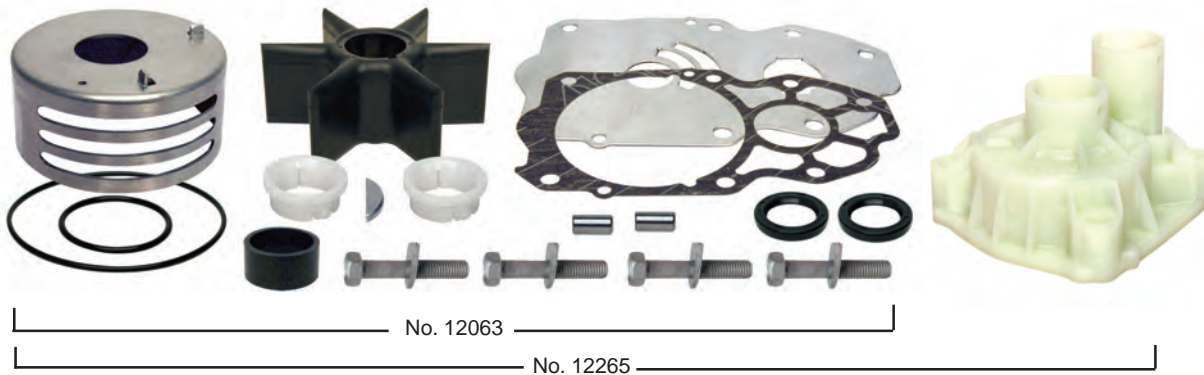


No. 38057
GASKET, WATER PUMP
OEM: 6CB-44315-00



Yamaha

YAMAHA WATER PUMP KITS - F225-F300 HP V6



No. 12265

COMPLETE WATER PUMP KIT
OEM: 6CE-W0078-00 + 6CE-44311-01-00

No. 12063

WATER PUMP KIT w/o HOUSING
OEM: 6CE-W0078-00

Kits contain these items also available individually

No. 22504

BOLT, w/ WASHER (4)
OEM: 90119-08M14



No. 45330

O-RING
OEM: 93210-94003



No. 12863

COVER, WATER PUMP HSG (2)
OEM: 6AW-44312-00-00



No. 12879

PUMP CUP
OEM: 6AW-44322-00



No. 85234

OIL SEAL (2)
OEM: 93104-22M07-00



No. 89300

IMPELLER
OEM: 6CE-44352-00-00



No. 12867

DAMPER
OEM: 6AW-44365-00-00



No. 89588

KEY, WOODRUFF
OEM: 90280-04002-00



No. 12406

WATER PUMP HOUSING
OEM: 6CE-44311-01-00



No. 12531

WEAR PLATE
OEM: 6CE-44323-00



No. 12808

PIN, DOWELL (2)
OEM: 93606-12019



No. 38060

GASKET, WATER PUMP
OEM: 6CE-44315-00-00



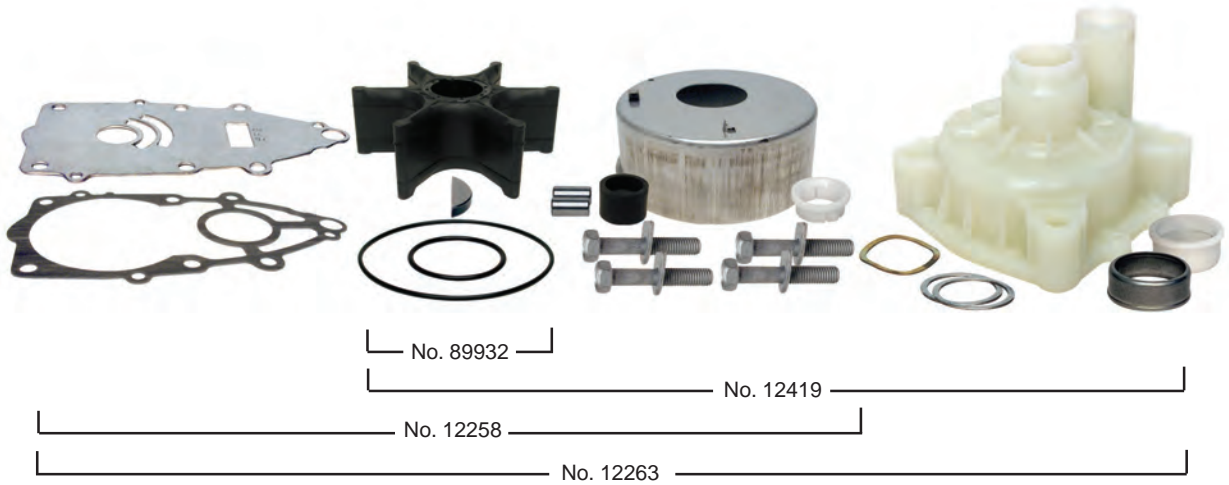
No. 84300

O-RING
OEM: 93210-37M67



Yamaha

YAMAHA WATER PUMP KITS - 250HP 4-STROKE



No. 12263

COMPLETE WATER PUMP KIT
OEM: 6P2-W0078-00
+ 61A-44311-01-00

No. 12419

WATER PUMP
HOUSING KIT
OEM: N/A

No. 12258

WATER PUMP KIT w/o HOUSING
OEM: 6P2-W0078-00

No. 89932

WATER PUMP
IMPELLER KIT
OEM: N/A

Kits contain these items also available individually

No. 22504

BOLT, w/ WASHER (4)
OEM: 90119-08M14



No. 84295

O-RING
OEM: 93210-86M38



No. 12839

COVER
OEM: 6E5-44312-00-00



No. 12870

PUMP CUP
OEM: 61A-44322-02



No. 38300

DAMPER
OEM: 6E5-44365-00-00



No. 89930

IMPELLER
OEM: 6E5-44352-01-00



No. 12074

WATER PUMP HOUSING
OEM: 61A-44311-01-00



No. 89588

KEY, WOODRUFF
OEM: 90280-04002-00



No. 12808

PIN, DOWELL (2)
OEM: 93606-12019



No. 12529

WEAR PLATE
OEM: 6P2-44323-00



No. 84300

O-RING
OEM: 93210-37M67



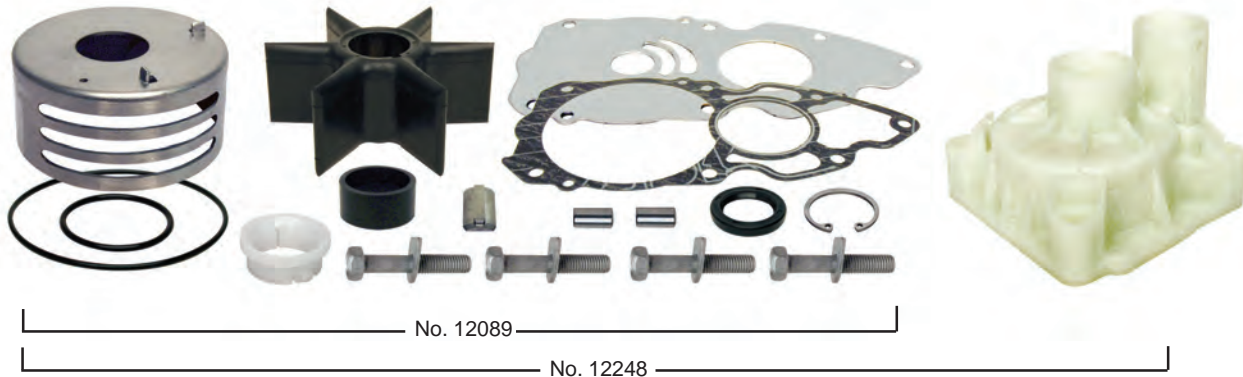
No. 38006

GASKET, WATER PUMP
OEM: 60X-44315-A0



Yamaha

YAMAHA WATER PUMP KITS - 300-350 HP V8 4-STROKE



No. 12248

COMPLETE WATER PUMP KIT
OEM: 6AW-W0078-00 + 6AW-44311-01

No. 12089

WATER PUMP KIT w/o HOUSING
OEM: 6AW-W0078-00

Kits contain these items also available individually

No. 22504

BOLT, w/ WASHER (4)
OEM: 90119-08M14



No. 84300

O-RING
OEM: 93210-37M67



No. 12863

COVER, WATER PUMP HOUSING
OEM: 6AW-44312-00-00



No. 45330

O-RING
OEM: 93210-94003



No. 12867

DAMPER
OEM: 6AW-44365-00-00



No. 12879

PUMP CUP
OEM: 6AW-44322-00



No. 21779

CLIP
OEM: 93420-35085-00



No. 89960

IMPELLER
OEM: 6AW-44352-00



No. 85233

OIL SEAL
OEM: 93109-24001-00



No. 89586

KEY
OEM: 6AW-44336-00



No. 12402

WATER PUMP HOUSING
OEM: 6AW-44311-01



No. 12528

WEAR PLATE
OEM: 6AW-44323-00



No. 12808

PIN, DOWELL (2)
OEM: 93606-12019



No. 38050

GASKET, WATER PUMP
OEM: 6AW-44315-00



Yamaha

YAMAHA WATER PUMP KITS APPLICATIONS

Model / HP	Year(s)	Repair Kits	Complete Kit	Housing	Impeller	Pump Cup	Wear Plate	Impeller Kit
T8(4ST)	2007 & Up	12052	12129	12445	89619	12809	12516	-
9.9	1984-93	12278	12281	12448	89880	12876	12515	-
9.9	1994-95	12273	12269	12448	89880	12876	12515	-
9.9	1996-09	12066	12087	12445	89619	12809	12517	-
9.9 F/T/FT	1985-1996	12278	12281	12448	89880	12876	12515	-
9.9 F/T/FT	1997-2005	12273	12269	12448	89880	12876	12515	-
9.9 F/T	2005-2006	12066	12087	12445	89619	12809	12517	-
9.9 F/T	2007 & Up	12052	12129	12445	89619	12809	12516	-
15	1984-1995	12278	12281	12448	89880	12876	12515	-
15	1996-2009	12066	12087	12445	89619	12809	12517	-
F15	1998-2006	12066	12087	12445	89619	12809	12517	-
F15C	2006 & Up	-	12239	12457	89619	12809	12516	-
20	1996-1997	12277	12267	12455	89622	12866	12508	-
F20	2006 & Up	-	12239	12457	89619	12809	12516	-
25 (2CYL)	1984-1987	-	12059	12076	89890	12868	12527	-
25 (2CYL)	1988-2009	12277	12267	12455	89622	12866	12508	-
25 (3CYL)	1997-2002	12285	12268	12452	89900	12864	12526	-
CV25	1990	-	12059	12076	89890	12868	12527	-
C25	1991-1997	-	12059	12076	89890	12868	12527	-
T25	2001 & Up	12272	12266	12451	89900	12873	12512	-
F25	1998 & Up	-	12127	12453	89900	12807	12533	-
30	1984-1987	-	12059	12076	89890	12868	12527	-
30	1988-2002	12285	12268	12452	89900	12864	12526	-
C/CV30	1989-1992	-	12059	12076	89890	12868	12527	-
C30	1993-1997	-	12127	12453	89900	12807	12533	-
F30	2001-2005	12272	12266	12451	89900	12873	12512	-
F30	2013 & Up	-	-	12451	89900	12873	12524	-
40	1984-1994	12268	12285	12452	89900	12864	12526	-
40/P40	1995-2005	12276	12289	12079	89910	12873	12524	-
CV/C40	1990-1997	12302	12237	12454	89660	12805	12509	-
C40	1998-2003	12276	12289	12079	89910	12873	12524	-
F40	1999	12276	12289	12079	89910	12873	12524	-
F40/B	2000-2008	12272	12266	12451	89900	12873	12512	-
F40/A	2008 & Up	12303	12238	12451	89900	12873	12524	-
50	1984-1994	12268	12285	12452	89900	12864	12526	-
50	1995-2009	12276	12289	12079	89910	12873	12524	-
P/PRO50	1987-1994	12064	12287	12446	89900	12864	12526	-
P/PRO50	1995-1996	12276	12289	12079	89910	12873	12524	-
C50	1998-2001	12276	12289	12079	89910	12873	12524	-
T50	1996 & Up	12283	12291	12447	89910	12864	12514	-
F50	1995 & Up	12276	12289	12079	89910	12873	12524	-
CV/C55	1989-1995	12279	12288	12446	89910	12864	12526	-
E60	1995-1996	12283	12291	12447	89910	12864	12514	-
E60	1997-2000	-	-	-	-	-	-	-
C60	1996-2001	12283	12291	12447	89910	12864	12514	-

Yamaha

YAMAHA WATER PUMP KITS APPLICATIONS

Model / HP	Year(s)	Repair Kits	Complete Kit	Housing	Impeller	Pump Cup	Wear Plate	Impeller Kit
P60	1991-1999	12283	12291	12447	89910	12864	12514	-
60	2001-2003	12283	12291	12447	89910	12864	12514	-
60	2004-2005	12282	12293	12078	89920	12862	12513	-
T60	2003 & Up	12283	12291	12447	89910	12864	12514	-
F60	2002 & Up	12276	12289	12079	89910	12873	12524	-
70	1984-2003	12283	12291	12447	89910	12864	12514	-
70	2003-2009	12282	12293	12078	89920	12862	12513	-
C70	2001	12283	12291	12447	89910	12864	12514	-
F70	2010 & Up	12304	12131	12458	89910	12873	12556	-
C/E/P75	1994-2000	12282	12293	12078	89920	12862	12513	-
F75	2003 & Up	12275	12295	12443	89624	12872	12523	-
C80	1987	12282	12293	12078	89920	12862	12513	-
F80	1999-2003	12275	12295	12443	89624	12872	12523	-
C85	1989-1996	12282	12293	12078	89920	12862	12513	-
C/90	1984-2009	12282	12293	12078	89920	12862	12513	-
F90 A/B	2003 & Up	12275	12295	12443	89624	12872	12523	-
F100	1999-2003	12275	12295	12443	89624	12872	12523	-
C/P/S115	1984-2009	12286	12297	12074	89930	12870	12522	89932
B115	1998-1999	12075	12298	12074	89930	12870	12521	89932
F/LF115	2000-2001	12286	12297	12074	89930	12870	12522	89932
F/LF115	2002 & Up	12067	12296	12074	89930	12870	12518	89932
VF 115	2015 & Up	12067	12296	12074	89930	12870	12518	89932
L/S/130	1988-2004	12286	12297	12074	89930	12870	12522	89932
L/S/150	1984-2009	12069	12262	12074	89930	12870	12511	89932
PROV/P/PX150	1986-1999	12069	12262	12074	89930	12870	12511	89932
C150	1996-1999	12069	12262	12074	89930	12870	12511	89932
SX/LX150	1999-2004	12069	12262	12074	89930	12870	12511	89932
V/VX/VZ150	2000-2014	12069	12262	12074	89930	12870	12511	89932
Z/LZ150	2000-2005	12069	12262	12074	89930	12870	12511	89932
D/DX150	1997-2005	12075	12298	12074	89930	12870	12521	89932
F/LF150A/B	2004 & Up	12069	12262	12074	89930	12870	12511	89932
S/175	1984-2000	12069	12262	12074	89930	12870	12511	89932
V/VZ175	2000-2012	12069	12262	12074	89930	12870	12511	89932
P/Z175	1994-2005	12069	12262	12074	89930	12870	12511	89932
F/VF175	2014 & Up	12069	12262	12074	89930	12870	12511	89932
L/S200	1984-1999	12069	12262	12074	89930	12870	12511	89932
LX/SX200	1999-2005	12069	12262	12074	89930	12870	12511	89932
P200	1991-1999	12069	12262	12074	89930	12870	12511	89932
Z/LZ200	2000-2012	12069	12262	12074	89930	12870	12511	89932
V/VX200	1998-2005	12069	12262	12074	89930	12870	12511	89932
VZ200	2001-2004	12069	12262	12074	89930	12870	12511	89932
VZ200	2005-2009	12063	12265	12074	89930	12870	12519	89932
F/LF200/A	2002 & Up	12069	12262	12074	89930	12870	12511	89932
VF200	2009 & Up	12259	12249	12074	89930	12870	12553	89932
F/LF200/B/C	2012 & Up	12069	12262	12074	89930	12870	12511	89932



Yamaha

YAMAHA THERMOSTAT KITS

140° F (60° C)

122° F (50° C)

No. 13015

THERMOSTAT KIT 140° F (60° C)
OEM: N/A



No. 13321

THERMOSTAT KIT 122° F (50° C)
OEM: N/A



Kit Contains:

GLM	OEM	ITEM
13012	6G8-12411-03-00	Thermostat
38045	688-12414-A1-00	Gasket
38051	6H3-12414-A1-00	Gasket
38052	68D-E2414-A0-00	Gasket

Kit Contains:

GLM	OEM	ITEM
13320	6E5-12411-30-00	Thermostat
38045	688-12414-A1-00	Gasket
38051	6H3-12414-A1-00	Gasket
38052	68D-E2414-A0-00	Gasket
38053	6J8-12414-A0-00	Gasket

Note: These are not exact Yamaha replacement kits. We have improved our Thermostat Kits by including all gaskets necessary for most models. These kits are designed specifically for Yamaha 60°C/140°F and 50°C/122°F. See Thermostat OEM numbers below for reference only.

YAMAHA THERMOSTATS

No. 13012

THERMOSTAT 140° F (60° C)
OEM: 6E5-12411-00/01/02
6F5-12411-01/02/03
69M-12411-00/01
6H3-12411-00/10/11



140° F
(60° C)

No. 13320

THERMOSTAT 122° F (50° C)
OEM: 6E5-12411-10/20/30
688-12411-00/01/10/11
6G8-12411-00/01/02/03
66M-12411-00/01



122° F
(50° C)

YAMAHA THERMOSTAT GASKETS

No. 38045

THERMOSTAT GASKET
OEM: 688-12414-A1-00



No. 38051

THERMOSTAT GASKET
OEM: 6H3-12414-A1-00



No. 38052

THERMOSTAT GASKET
OEM: 68D-E2414-A0-00



No. 38053

THERMOSTAT GASKET
OEM: 6J8-12414-A0-00



Yamaha

YAMAHA THERMOSTAT APPLICATIONS

Model /HP	Year	T-stat	OEM No.	T.stat Kit No.	OEM No.	Model /HP	Year	T-stat	OEM No.	T.stat Kit No.	OEM No.
F4	1999 & Up	13012	66M-12411-00-00	13015	N/A	C50	1998-01	13320	6E5-12411-30-00	13321	N/A
F8	2001-04	13012	66M-12411-00-00	13015	N/A	P50	1991-96	13320	6E5-12411-30-00	13321	N/A
F8	2005 & Up	13012	66M-12411-00-00	13015	N/A	C55	1991-95	13012	6F5-12411-03-00	13015	N/A
T8	2001-04	13012	66M-12411-00-00	13015	N/A	CV55	1989	13012	6F5-12411-03-00	13015	N/A
T8	2005 & Up	13012	66M-12411-00-00	13015	N/A	S75	1996	13320	6E5-12411-30-00	13321	N/A
8 2stroke	1989 & Up	13320	6E5-12411-02-00	13321	N/A	9.9	1996-05	13012	6F5-12411-03-00	13015	N/A
6 2stroke	1986-88	13320	6E5-12411-20-00	13321	N/A	F9.9	1986-04	13320	6E5-12411-30-00	13321	N/A
6 2Stroke	1989 & Up	13320	6E5-12411-01-00	13321	N/A	V4					
F6	2001-04	13012	66M-12411-00-00	13015	N/A	115	1984-05	13320	6E5-12411-30-00	13321	N/A
F6	2005 & Up	13012	66M-12411-01-00	13015	N/A	B115	1998-99	13320	6E5-12411-30-00	13321	N/A
9.9 2Stroke	1984-95	13012	6F5-12411-02-00	13015	N/A	C115	1991-00	13320	6E5-12411-30-00	13321	N/A
9.9 2Stroke	1996 & Up	13320	6E5-12411-30-00	13321	N/A	L115	1998	13320	6E5-12411-30-00	13321	N/A
FT 9.9	1985 & Up	13012	6G8-12411-03-00	13015	N/A	P115	1993-96	13320	6E5-12411-30-00	13321	N/A
T/FT 9.9	1985 & Up	13012	6G8-12411-03-00	13015	N/A	S115	1996-99	13320	6E5-12411-30-00	13321	N/A
F9.9	1985 & Up	13012	6G8-12411-03-00	13015	N/A	130	1988-04	13320	6E5-12411-30-00	13321	N/A
T9.9(66R)	2005 & Up	13012	66M-12411-01-00	13015	N/A	L130	1989-01	13320	6E5-12411-30-00	13321	N/A
F9.9(66N)	2005 & Up	13012	66M-12411-01-00	13015	N/A	S130	1996-99	13320	6E5-12411-30-00	13321	N/A
F9.9G(6AV)	2007 & Up	13012	66M-12411-01-00	13015	N/A	V6					
F9.9F(6AO)	2007 & Up	13012	66M-12411-01-00	13015	N/A	C150	1996-99	13320	6E5-12411-30-00	13321	N/A
15 2Stroke	1984-95	13012	6F5-12411-02-00	13015	N/A	D150	1999-05	13320	6E5-12411-30-00	13321	N/A
15 2Stroke	1996 & Up	13320	6E5-12411-30-00	13221	N/A	DX150	1999-05	13320	6E5-12411-30-00	13321	N/A
15 4Stroke	1998 & Up	13012	66M-12411-01-00	13015	N/A	L150	1986-99	13320	6E5-12411-30-00	13321	N/A
15	1986-95	13012	6F5-12411-03-00	13015	N/A	LX150	1999-01	13320	6E5-12411-30-00	13321	N/A
15	1996-04	13320	6E5-12411-30-00	13321	N/A	LZ150	2000-05	13320	6E5-12411-30-00	13321	N/A
20 2Stroke	1996-97	13320	6E5-12411-20-00	13321	N/A	P150	1991-99	13320	6E5-12411-30-00	13321	N/A
F20	All	13320	6AH-12411-00-00	13321	N/A	PW150	1998	13320	6E5-12411-30-00	13321	N/A
25	1988	13320	6E5-12411-30-00	13321	N/A	PX150	1999	13320	6E5-12411-30-00	13321	N/A
25 2-Cyl.	1988-89	13320	6E5-12411-20-00	13321	N/A	S150	1996-99	13320	6E5-12411-30-00	13321	N/A
25-2 Stroke	1990-95	13320	6E5-12411-01-00	13321	N/A	SX150	1999-04	13320	6E5-12411-30-00	13321	N/A
25-2 Stroke	1996-99	13320	6E5-12411-20-00	13321	N/A	V150	2000-05	13320	6E5-12411-30-00	13321	N/A
25-2 Stroke	2000-02	13320	6E5-12411-20-00	13321	N/A	VX150	2000-04	13320	6E5-12411-30-00	13321	N/A
25-2 Stroke	2003 & Up	13320	6E5-12411-30-00	13321	N/A	VZ150	2000-05	13320	6E5-12411-30-00	13321	N/A
25	1996	13320	6E5-12411-30-00	13321	N/A	Z150	2000-05	13320	6E5-12411-30-00	13321	N/A
25 3-Cyl.	1997-02	13320	688-12411-10-00	13321	N/A	175	1986-00	13320	6E5-12411-30-00	13321	N/A
25	2003-05	13320	6E5-12411-30-00	13321	N/A	P175	1994-99	13320	6E5-12411-30-00	13321	N/A
C25	1990-97	13312	6F5-12411-02-00	13015	N/A	S175	1996-99	13320	6E5-12411-30-00	13321	N/A
C25	1991-97	13312	6F5-12411-03-00	13015	N/A	V175	2000	13320	6E5-12411-30-00	13321	N/A
CV25	1990	13312	6F5-12411-03-00	13015	N/A	VZ175	2001-05	13320	6E5-12411-30-00	13321	N/A
F25	1998	13312	6G8-12411-02-00	13015	N/A	Z175	2001-05	13320	6E5-12411-30-00	13321	N/A
F25	1999-04	13312	6G8-12411-02-00	13015	N/A	200	1986-98	13320	6E5-12411-30-00	13321	N/A
F25	2005 & Up	13312	6G8-12411-03-00	13015	N/A	L200	1986-99	13320	6E5-12411-30-00	13321	N/A
T25	2001-04	13312	6G8-12411-02-00	13015	N/A	LX200	1999-01	13320	6E5-12411-30-00	13321	N/A
T25	2005 & Up	13312	6G8-12411-03-00	13015	N/A	LZ200	2000-05	13320	6E5-12411-30-00	13321	N/A
30	1986	13012	6F5-12411-03-00	13015	N/A	P200	1991-99	13320	6E5-12411-30-00	13321	N/A
30	1987	13320	6E5-12411-30-00	13321	N/A	S200	1996-99	13320	6E5-12411-30-00	13321	N/A
30 2-Cyl.	1984-86	13320	6F5-12411-02-00	13321	N/A	SX200	1999-05	13320	6E5-12411-30-00	13321	N/A
30-3-Cyl.	1987-88	13320	6E5-12411-20-00	13321	N/A	V200	1998-99	13320	6E5-12411-30-00	13321	N/A
30-3-Cyl.	1989-91	13320	6E5-12411-01-00	13321	N/A	VX200	2000-05	13320	6E5-12411-30-00	13321	N/A
30-3-Cyl.	1992-94	13320	688-12411-10-00	13321	N/A	VZ200	2001-04	13320	6E5-12411-30-00	13321	N/A
30-3-Cyl.	1995-98	13320	688-12411-10-00	13321	N/A	Z200	2000-05	13320	6E5-12411-30-00	13321	N/A
30-3-Cyl.	1999-02	13320	688-12411-10-00	13321	N/A	225	1990-97	13320	6E5-12411-30-00	13321	N/A
C30	1991-92	13012	6F5-12411-03-00	13015	N/A	L225	1995-99	13320	6E5-12411-30-00	13321	N/A
CV30	1989-90	13012	6F5-12411-03-00	13015	N/A	LX225	2000-03	13320	6E5-12411-30-00	13321	N/A
C/ CV30	1989-92	13012	6F5-12411-02-00	13015	N/A	S225	1996-99	13320	6E5-12411-30-00	13321	N/A
CV-2cyl.	1993-97	13020	6E5-12411-01-00	13321	N/A	SX225	2000-03	13320	6E5-12411-30-00	13321	N/A
CV-3cyl.	1995	13020	688-12411-10-00	13321	N/A	V225	1998-99	13320	6E5-12411-30-00	13321	N/A
F30	2001-04	13012	6G8-12411-02-00	13015	N/A	VX225	2000-04	13320	6E5-12411-30-00	13321	N/A
F30	2005 & Up	13012	6G8-12411-03-00	13015	N/A	250	1990-95	13320	6E5-12411-30-00	13321	N/A
40	1986-05	13320	6E5-12411-30-00	13321	N/A	L250	1990-99	13320	6E5-12411-30-00	13321	N/A
C40	1991-97	13012	6F5-12411-03-00	13015	N/A	LX250	2000-03	13320	6E5-12411-30-00	13321	N/A
C40	1998-02	13320	6E5-12411-30-00	13321	N/A	S250	1996-99	13320	6E5-12411-30-00	13321	N/A
CV40	1990	13012	6F5-12411-03-00	13015	N/A	SX250	2000-03	13320	6E5-12411-30-00	13321	N/A
P40	1998	13320	6E5-12411-30-00	13321	N/A	VX250	2002-04	13320	6E5-12411-30-00	13321	N/A
50	1986-05	13320	6E5-12411-30-00	13321	N/A						



Section 4

Yamaha Pistons

GLM Exclusive Marine Pistons 98
Yamaha Inline 48, 55, 75, 80, 85, 90 HP Pistons..... 99
Yamaha 115, 130, 150, 175, 200, 225 HP V4 & V6 Pistons..... 100-101
Yamaha 200, 225, 250 HP V6 Pistons 102

Yamaha

GLM'S EXCLUSIVE MARINE PISTONS

- Fully Machined Hypereutectic Pistons
- Featuring a Hard Anodizing Coating on Top
- Resisting Temperatures up to 1560°F
- Hardness: HV280-400
- Pistons are T-6 Heat Treated

OEM CAST vs. FORGED

(99% of OEM Pistons are Cast)

	CASTING	FORGING
Pros	Low expansion rate Lighter weight Longer life Lower costs	Greater Strength
Cons	Less strength but compensated by strong mold process	Heavier weight High expansion rate Shorter life Higher costs
Verdict	For Recreational For General use	High Performance Purposes

GLM PISTONS ARE 100% CAST

PISTON RING COATINGS COMPARISON

DID YOU KNOW sometimes as much as 30% of engine friction comes from the piston rings? Therefore, 2-ring pistons have less friction than 3-ring pistons.

To minimize piston ring friction in the engine you should:

- Choose the right ring tension and coating.
- If for oversize, check that the bore size is correct.
- Change the engine oil regularly.

RING COATING	SCUFF RESISTANCE	WEAR RESISTANCE
Plain	Poor	Low
Plasma Moly	Excellent	Good
Nitriding	Average	Excellent
Chrome	Average	Excellent

Warning: GLM will not cover the warranty for non-authorized marine engine boring services.



Yamaha

YAMAHA INLINE 48, 55, 75, 80, 85, 90 HP PISTONS

These engines use \varnothing 81 mm Pistons

48 HP	E	1995-00
55 HP	C	1993-95
75 HP	C, E	1994-95
75 HP	C, E, P	1996-00
80 HP	C	1997
85 HP	C	1993-96
90 HP	C, B	1994-05



Pistons for above engines

<u>GLM Piston No.</u>	<u>Size</u>	<u>OEM Piston No.</u>
24760	\varnothing 81 mm	6H1-11631-03-95
24761	\varnothing 81 mm +.25 mm	6H1-11635-03-00
24762	\varnothing 81 mm +.50 mm	6H1-11636-03-00

all pistons come with rings, pin and retainers

Rings for above \varnothing 81 mm pistons

<u>GLM Ring No.</u>	<u>Size</u>	<u>OEM Ring No.</u>
14300	\varnothing 81 mm	688-11603-A0-00
14301	\varnothing 81 mm +.25 mm	688-11604-A0-00
14302	\varnothing 81 mm +.50 mm	688-11605-A0-00

all rings come 2 to a set

Yamaha

YAMAHA 115, 130, 150, 175, 200, 225 HP V4 & V6 PISTONS

These engines use \varnothing 89 mm Pistons with 23 mm Wrist Pin.

115 HP	V4	1993 & Up
130 HP	V4	1993 & Up
150 HP	V6	1993 & Up
175 HP	V6	1993 & Up
200 HP	V6	1992 & Up
225 HP	V6	1992 & Up



Pistons for above engines

GLM Piston No.		Size	OEM Piston No.	
Port	Starboard		Port	Starboard
24700	24710	\varnothing 89 mm	(68F-11642-01-85 / 64D-11642-02-90 / 6R5-11642-11-93)	
24720	24730	\varnothing 89 mm +.25 mm	(6R5-11645-11-00/68F-11645-01-00)	
24740	24750	\varnothing 89 mm +.50 mm	(6R5-11646-11-00/68F-11646-01-00)	

all pistons come with rings, pin and retainers

Rings for above \varnothing 89 mm pistons

GLM Ring No.	Size	OEM Ring No.
14303	\varnothing 89 mm	64D-11603-02-00
14304	\varnothing 89 mm +.25 mm	64D-11604-02-00
14305	\varnothing 89 mm +.50 mm	64D-11605-02-00

all rings come 2 to a set, one keystone ring and one rectangle ring.

Yamaha

YAMAHA 115, 130, 150, 175, 200, 225 HP V4 & V6 PISTONS

These engines use \varnothing 89 mm Pistons with 21.5 mm Wrist Pin.

115 HP	V4	C	1984-1992
130 HP	V4	L	1988-1992
150 HP	V6	L, P	1985-1992
175 HP	V6		1985-1992
200 HP	V6	L	1984-1991
225 HP	V6		1990-1991



Pistons for above engines

<u>GLM Piston No.</u>		<u>Size</u>	<u>OEM Piston No.</u>	
Port	Starboard		Port	Starboard
24701	24702	\varnothing 89 mm	6R5-11642-01-93	6R5-11631-01-93
24721	24732	\varnothing 89 mm + .25 mm	6R5-11645-11-00	6R5-11635-11-00
24741	24752	\varnothing 89 mm + .50 mm	6R5-11646-01-00	6R5-11636-01-00

all pistons come with rings, pin and retainers

Rings for above \varnothing 89 mm pistons

<u>GLM Ring No.</u>	<u>Size</u>	<u>OEM Ring No.</u>
14303	\varnothing 89 mm	64D-11603-02-00
14304	\varnothing 89 mm + .25 mm	64D-11604-02-00
14305	\varnothing 89 mm + .50 mm	64D-11605-02-00

all rings come 2 to a set, one keystone ring and one rectangle ring.

Yamaha

YAMAHA 200, 225, 250 HP V6 PISTONS

These engines use \varnothing 89 mm Pistons

200 HP	V6	V, VX	1998-05	225 HP	V6	V	1998
200 HP	V6	VX	2002-05	225 HP	V6	V, VX	1999-01
225 HP	V6	L	1994	250 HP	V6	L	1995
225 HP	V6	L	1995	250 HP	V6	L, S, SX	1996-01
225 HP	V6	L, S, SX	1996-01	250 HP	V6	LX, SX, VX	2002-04
225 HP	V6	LX, SX, VX	2002-04				



Pistons for above engines

GLM Piston No.		Size	OEM Piston No.	
Port	Starboard		Port	Starboard
24703	24704	\varnothing 89 mm	69L-11642-00-85	69L-11631-00-85
24723	24734	\varnothing 89 mm + .25 mm	69L-11645-00-00	69L-11635-00-00
24743	24754	\varnothing 89 mm + .50 mm	69L-11646-00-00	69L-11636-00-00

all pistons come with rings, pin and retainers

Rings for above \varnothing 89 mm pistons

GLM Ring No.	Size	OEM Ring No.
14303	\varnothing 89 mm	64D-11603-02-00
14304	\varnothing 89 mm + .25 mm	64D-11604-02-00
14305	\varnothing 89 mm + .50 mm	64D-11605-02-00

all rings come 2 to a set, one keystone ring and one rectangle ring.

Section 5

Yamaha

Powerhead Gaskets

<i>Yamaha Head Gaskets</i>	<i>104</i>
<i>Suzuki Head Gaskets</i>	<i>105</i>
<i>Exhaust Manifold Gaskets</i>	<i>106</i>
<i>Powerhead Gaskets</i>	<i>107</i>

Yamaha

POWERHEAD GASKETS

Yamaha Head Gaskets

No. 34900

HEAD GASKET
OEM: 6A1-11181-00



Fits Models: 2 HP, 1-Cyl.

No. 34910

HEAD GASKET
OEM: 677-11181-A1-00



Fits Models: 8 HP, 2-Cyl.

No. 33890

HEAD GASKET
OEM: 6E7-11181-00



Fits Models: 9.9, 15 HP, 2-Cyl.

No. 33880

HEAD GASKET
OEM: 689-11181-02



Fits Models: 25 HP,
30 HP (1984-85), CV30 HP, 2-Cyl.

No. 34920

HEAD GASKET
OEM: 6J8-11181-A2-00



Fits Models: 30 HP (1987-90), 3-Cyl.

No. 34930

HEAD GASKET
OEM: 6H4-11181-A2-00



Fits Models: 40, 50, PRO 50 HP, 3-Cyl.

No. 34940

HEAD GASKET
OEM: 6H3-11181-A2-00



Fits Models: 70 HP, 3-Cyl.

No. 34950

HEAD GASKET
OEM: 688-11181-A2-00



Fits Models: 85, 90 HP, 3-Cyl.

No. 34960

HEAD GASKET
OEM: 6E5-11181-A2-00



Fits Models: 115, 130 HP, V4

No. 36400

HEAD GASKET
OEM: 6G5-11181-01-00



Fits Models: 150-200 HP, V6



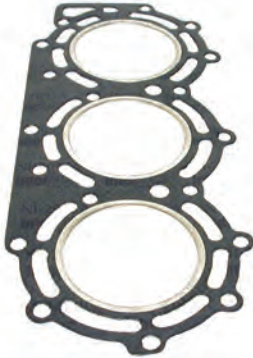
Yamaha

POWERHEAD GASKETS

Suzuki Head Gaskets

No. 36250

HEAD GASKET
OEM: 11141-94720



Fits Models: 55, 65 HP (1985-89), 3-Cyl.

No. 36260

HEAD GASKET
OEM: 11141-95505



Fits Models: 75, 85 HP (1983-87), 3-Cyl.

No. 36270

HEAD GASKET
OEM: 11141-95600



Fits Models: 75, 85 HP (1988-89), 3-Cyl.

No. 36220

HEAD GASKET
OEM: 11141-87E90



Fits Models: 90, 100 HP (1989), V4

No. 36230

HEAD GASKET
OEM: 11141-94506



Fits Models: 115, 140 HP (1983-84), L4

No. 36240

HEAD GASKET
OEM: 11141-94600



Fits Models: 115, 140 HP (1986-89), L4

No. 36200

HEAD GASKET
OEM: 11141-87D90



Fits Models: 150, 200 HP (1986), V6

No. 36210

HEAD GASKET
OEM: 11141-87D92



Fits Models: 150, 175, 200 HP (1987-89), V6

Yamaha

POWERHEAD GASKETS

Gaskets - Exhaust Manifold

No. 38026

GASKET, EXHAUST MANIFOLD
OEM: 6G5-41134-A1

**No. 38028**

GASKET, EXHAUST MANIFOLD
OEM: 6E5-41135-A0

**No. 38030**

GASKET, EXHAUST MANIFOLD
OEM: 6E5-41134-A0

**No. 38034**

GASKET, EXHAUST MANIFOLD
OEM: 688-41134-A0

**No. 38041**

PACKING, LOWER CASING
OEM: 6L2-45315-A0

**No. 38020**

GASKET, EXHAUST MANIFOLD
OEM: 6BG-41134-00-00

**No. 38019**

GASKET, EXHAUST MANIFOLD
OEM: 67C-41133-00

**No. 38017**

GASKET, EXHAUST MANIFOLD
OEM: 6H4-41134-A0

**No. 38042**

GASKET, EXHAUST MANIFOLD
OEM: 664-41134-A0



Yamaha

POWERHEAD GASKETS

Gaskets - Powerhead

No. 38024

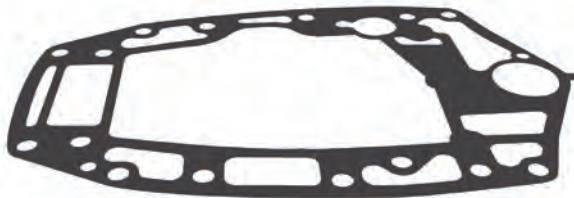
GASKET, OIL PAN
OEM: 69W-15312-00

**No. 38013**

GASKET, UPPER CASING
OEM: 61A-45114-A0

**No. 38016**

GASKET, UPPER CASING
OEM: 63D-45114-A0

**No. 38027**

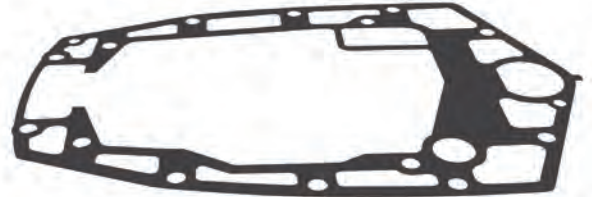
GASKET, UPPER CASING
OEM: 6G5-45114-A1

**No. 38031**

GASKET, UPPER CASING
OEM: 697-45114-A0

**No. 38033**

GASKET, UPPER CASING
OEM: 688-45114-A1

**No. 38037**

GASKET, UPPER CASING
OEM: 6H3-45114-A1

**No. 38039**

GASKET, UPPER CASING
OEM: 6J8-45114-A1

**No. 38012**

GASKET, EXHAUST MANIFOLD
OEM: 6D0-41134-00





Section 6

Yamaha Fuel System

<i>Fuel Pumps & Diaphragm Kits</i>	110
<i>GLM's Plastic Inline Fuel Filters</i>	110
<i>Low Pick-up Water / Fuel Separator Mounting Bracket</i>	111
<i>How to Choose the Correct Water / Fuel Separator</i>	112
<i>Stainless Steel Brackets / Die Cast Aluminum Brackets</i>	112
<i>Water Separating Fuel Filter Kits</i>	113
<i>Carburetor Repair Kits - 2-Stroke</i>	114
<i>Carburetor Repair Kits - 2 & 4-Stroke</i>	115
<i>Carburetor Repair Kits Application</i>	116

Yamaha

FUEL PUMPS & DIAPHRAGM KITS

No. 40790

Replaces OEM:
692-24410-00-00
663-24410-00-00
6A0-24410-00-00
6A0-24410-05-00
6A0-24410-04-00
6A0-24410-03-00
6A0-24410-02-00
6A0-24410-01-00
69W-W009B-04-95



2-Stroke
25-90 HP (1984-2009)

No. 40792

Replaces OEM:
6E5-24410-10-00
6E5-24410-04-00
6E5-24410-03-00
6E5-24410-02-00
6E5-24410-01-00
6E5-24410-00-00



2-Stroke
115-250 HP (1984-2005)

No. 40292

OEM: N/A



40-90 HP

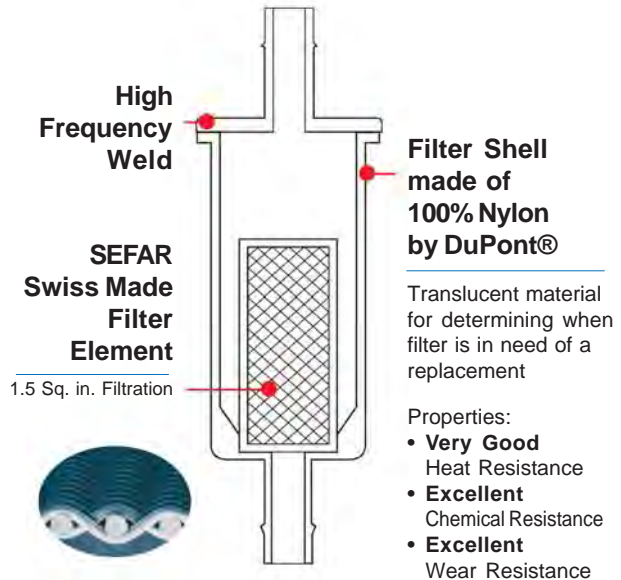
No. 40291

OEM: N/A



115-200 HP, V4 & V6

GLM's PLASTIC INLINE FUEL FILTERS



No. 40135

OEM: 435918



For \varnothing 5/16" In - \varnothing 3/8" Out

No. 40145

OEM: 35-816296Q03



Use with \varnothing 1/4" Hose

No. 40155

OEM: 35-816296Q2



Use with \varnothing 5/16" Hose

No. 40165

OEM: N/A



Use with \varnothing 3/8" Hose

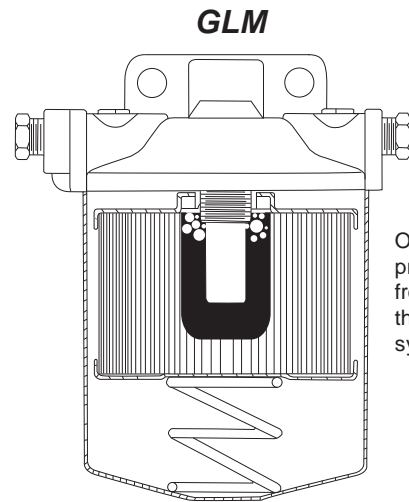
Yamaha

ELIMINATE FUEL STARVATION WITH GLM'S LOW PICK-UP WATER / FUEL SEPARATOR MOUNTING BRACKET

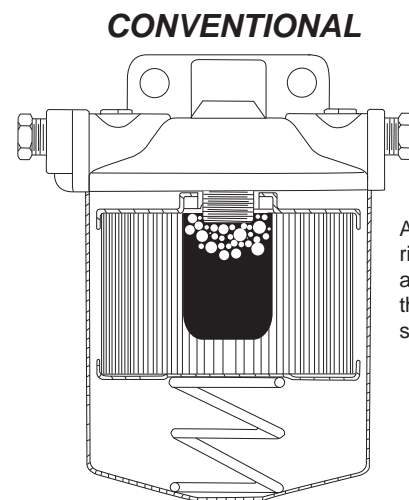
Engine compartment temperatures can soar on hot summer days creating high gasoline temperatures. High temps and agitation caused by rough seas can aerate the gasoline in the water/fuel separator filter turning it into foam. A fuel pump can't pull aerated gasoline from the water/fuel separator and deliver it to the carburetor or fuel rail efficiently. The engine will show signs of gasoline starvation (lean) at high speeds, a situation very similar to vapor lock.

Because this aerated gasoline rises to the top of the water/fuel separating filter, GLM has introduced a filter mounting bracket with a fuel pick-up extending deeper into the filter. Through extensive research and testing the GLM engineers have found the optimum location for the fuel pick-up. The deeper location is low enough to be free of aerated gasoline but high enough to be free of the water in the bottom of the separator.

The deeper fuel pick-up is only found on the new GLM water/fuel separator mounting bracket kits. It might solve some of those mysterious fuel delivery problems your engine may be experiencing!



Our design prevents air from entering the fuel system.



Air molecules rise to top and into the fuel system.

***For trouble free boating always remember to replace your water/fuel separating filter after every 50 hours of engine operation!**

Yamaha

HOW TO CHOOSE THE CORRECT WATER/FUEL SEPARATOR

Water/Fuel Separators are categorized by their capacity to filter different sized dirt particles. Rated in Microns, (each micron is one millionth of an inch in diameter) marine filters will normally be available with elements capable of filtering 2 micron particles, 10 micron particles, or 28 micron particles. A marine filter capable of filtering 2 micron particles will clean the fuel more efficiently than a 28 micron filter but will be more restrictive to fuel flow. The 2 micron filter will also become dirty sooner and will need replacement more often.

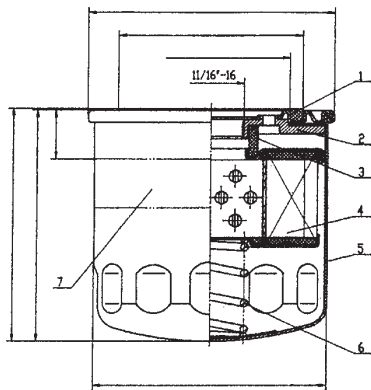
Fuel flow is rated in Gallons Per Hour (GPH). A typical 350/5.7L inboard engine will require 27 GPH at 4,800 rpm, a 454/7.4L inboard engine will require 37 GPH at 4,800 rpm. Selecting a fuel/water separating filter should be based on the amount of fuel the engine requires in GPH at wide open throttle.

A 2 micron fuel filter is generally too restrictive for the average four stroke inboard engine and may separate the

oil from the fuel in two stroke outboard engines. For this reason GLM sells only the 10 and 28 micron fuel filters.

The 28 micron filter is the most common size fuel filter in the marine industry and is the standard replacement filter for all two stroke and four stroke marine engines. The GLM 28 micron filter exceeds all engine manufacturers' specifications for particulate filtering, water separating and fuel flow.

The GLM 10 micron filter will provide exceptional filtering and only moderate fuel pressure loss. When used with sufficient sized fuel lines it will flow enough fuel for inboard engines up to 550 horsepower. It will **not** separate the oil from the gasoline on a two stroke outboard equipped boat. Because a 10 micron filter clogs faster than a 28 micron filter GLM recommends replacing the water/fuel separator filter at regular intervals.



GLM Fuel Filter Features

- * 28 or 10 micron filter paper shaped into 70 pleats total 327 sq. in. filtration. The largest filtering capability in the aftermarket. (4)
- * BWG #11 heavy duty spring (6).
- * Gasoline resistant rubber seals (1) (3).
- * Oxidizing treatment inside powder coated outside for corrosion protection (5).
- * Minimum 196N.m. torque strength between adapt plate and canister (2).
- * Will not separate 2 cycle oil from gasoline!

SUS316 Stainless Steel Brackets		Translucent Red Stainless Steel Brackets		Die Cast Aluminum Brackets	
No. 25010 w/ 2 brass plugs 2 extension tubes  ø 1/4" NPTF Ports (2 inputs & 2 outputs)	No. 25030 w/ 2 brass plugs 2 extension tubes  ø 3/8" NPTF Ports (2 inputs & 2 outputs)	No. 25011 w/ 2 brass plugs 2 extension tubes  ø 1/4" NPTF Ports (2 inputs & 2 outputs)	No. 25031 w/ 2 brass plugs 2 extension tubes  ø 3/8" NPTF Ports (2 inputs & 2 outputs)	No. 25000 w/ 2 brass plugs 2 extension tubes  ø 1/4" NPTF Ports (2 inputs & 2 outputs)	No. 25020 w/ 2 brass plugs 2 extension tubes  ø 3/8" NPTF Ports (2 inputs & 2 outputs)
No. 24942 WATER SEPARATOR FUEL FILTER OEM: N/A  10 Micron Height 4-7/16"			No. 24940 WATER SEPARATOR FUEL FILTER OEM: N/A  28 Micron Height 4-7/16"		

Yamaha

WATER SEPARATING FUEL FILTER KITS

With Stainless Steel Bracket

No. 24956

(24940+25010)
OEM: N/A

28 Micron

ø 1/4" NPTF Ports
Flow: 50 GPH
with 2 brass plugs & 2 extension tubes



No. 24958

(24940+25030)
OEM: N/A

28 Micron

ø 3/8" NPTF Ports
Flow: 75 GPH
with 2 brass plugs & 2 extension tubes



No. 24957

(24942+25010)
OEM: N/A

10 Micron

ø 1/4" NPTF Ports
Flow: 50 GPH
with 2 brass plugs & 2 extension tubes



No. 24959

(24942+25030)
OEM: N/A

10 Micron

ø 3/8" NPTF Ports
Flow: 75 GPH
with 2 brass plugs & 2 extension tubes



With NEW! Translucent Red Stainless Steel Bracket

No. 24960

(24940+25011)
OEM: N/A

28 Micron

ø 1/4" NPTF Ports
Flow: 50 GPH
with 2 brass plugs & 2 extension tubes



No. 24962

(24940+25031)
OEM: N/A

28 Micron

ø 3/8" NPTF Ports
Flow: 75 GPH
with 2 brass plugs & 2 extension tubes



With Die Cast Aluminum Bracket

No. 24950

(24940+25000)
OEM: N/A

28 Micron

ø 1/4" NPTF Ports
Flow: 50 GPH
with 2 brass plugs & 2 extension tubes



No. 24953

(24940+25020)
OEM: N/A

28 Micron

ø 3/8" NPTF Ports
Flow: 75 GPH
with 2 brass plugs & 2 extension tubes



No. 24952

(24942+25000)
OEM: N/A

10 Micron

ø 1/4" NPTF Ports
Flow: 50 GPH
with 2 brass plugs & 2 extension tubes



No. 24954

(24942+25020)
OEM: N/A

10 Micron
















ø 3/8" NPTF Ports
Flow: 75 GPH
with 2 brass plugs & 2 extension tubes



Yamaha

CARBURETOR REPAIR KITS - 2-STROKE

2-Stroke

<p>No. 40681 OEM: 6G1-W0093-00-00</p>  <p>3, 6, 8 HP (1990-96)</p>	<p>No. 40688 OEM: 6E7-W0093-04-00</p>  <p>9.9 (1990-95), 15 HP (1990-92)</p>	<p>No. 40689 OEM: 63V-W0093-00-00</p>  <p>9.9, 15 HP (1996 & Up)</p>
<p>No. 40687 OEM: 6L2-W0093-00-00</p>  <p>20, 25 HP 2-Cyl.</p>	<p>No. 40690 OEM: 689-W0093-02-00</p>  <p>25 (1984-87), C25 (1991-97), CV25 (1990), 30 (1984-86), C30 (1991-92) & CV30 HP (1989-90)</p>	<p>No. 40691 OEM: 6J8-W0093-00-00</p>  <p>25 3-Cyl. (1997-02), 30 & C30 HP 3-Cyl., (1995)</p>
<p>No. 40692 OEM: 61N-W0093-00-00</p>  <p>C30 HP 2-Cyl. (1994-96)</p>	<p>No. 40693 OEM: 6E9-W0093-02-00</p>  <p>CV40, CV40 HP 2-Cyl. (1991-93)</p>	<p>No. 40509 OEM: 6E9-W0093-03-00</p>  <p>C40 HP 2-Cyl. (1994-97)</p>
<p>No. 40694 OEM: 6H4-W0093-01-00</p>  <p>40, 50, PRO50 HP (1988 & Before)</p>	<p>No. 40695 OEM: 6H4-W0093-03-00</p>  <p>40, 50, C50, PRO50 HP (1989 & Up), P40, P50, PR50, C40 HP 3-Cyl.</p>	<p>No. 40675 OEM: 696-W0093-02-00</p>  <p>E48, C55 & CV55 HP</p>
<p>No. 40697 OEM: 6H2-W0093-10-00</p>  <p>60 (2001-05), P60 (1992-99), 70 (1992-04, 2009), C70 HP (2000-01)</p>	<p>No. 40698 OEM: 6H3-W0093-02-00</p>  <p>P60 (1991), C60, E60, 70 HP (1990-91)</p>	<p>No. 40699 OEM: 6H1-W0093-10-00</p>  <p>P75, 90, C90 HP (1992 & Up)</p>

Yamaha

CARBURETOR REPAIR KITS - 2 & 4-STROKE

2-Stroke

No. 40501

OEM: 6H0-W0093-00-00



C75, C80 HP (1998-99)

No. 40502

OEM: 6H1-W0093-01-00



C75, C85, CV85, E75 HP (1994-96),
90 HP (1990-91), B90 HP

No. 40504

OEM: 6N6-W0093-02-00



115, 130 HP (1990-91)

No. 40656

OEM: 6K7-W0093-08



150, 175, 200 HP (1990-91)
P200 HP (1991-92)

NEW

No. 40505

OEM: 6E5-W0093-06-00



115, C115, 130, 150, 175, 200,
225 HP 2.6L (1992-95), P115 HP (1993-96),
P150, P175, P200 HP (1992-95)

No. 40508

OEM: 64D-W0093-00-00, 64D-W0093-01-00



150, V150, (1996 & Up) 175, 200 HP (1996-01),
225 HP 2.6L (1996 & Up), P150, P175, P200 HP
(1996-99), S150, C150, S175, S200 HP

No. 40511

OEM: 61A-W0093-01-00



225, 250 HP 3.1L (1990-96), S225, S250 HP

4-Stroke

No. 40667

OEM: 6G8-W0093-02-00



FT9.9 HP

No. 40668

OEM: 66M-W0093-01-00



F9.9-2, T9.9-2, F15 HP (2005 & Before)

No. 40669

OEM: 6G8-W0093-03-00



F9.9, T9.9 HP (2005 & Before)

No. 40672

OEM: 65W-W0093-00-00



F25, T25 HP (2003 & Before)

No. 40665

OEM: 65W-W0093-02-00

NEW



F25, T25 HP (2004, 2006)
F30, F40, F40B HP (2000 & Up)

No. 40674

OEM: 67F-W0093-02-00

NEW



F75, F90, F80/F100 HP
(2003 & Up)

No. 40678

OEM: 67F-W0093-00-00



F80, F100 HP (2002 & Before)

Yamaha

YAMAHA CARBURETOR REPAIR KITS APPLICATIONS

Model / HP	Year(s)	Repair Kits	Model / HP	Year(s)	Repair Kits
2-Stroke			115	1990-1991	40504
3	1990-1996	40681	115	1992-1995	40505
6	1990-1996	40681	C115	1992-1995	40505
8	1990-1996	40681	P115	1993-1996	40505
9.9	1990-1995	40688	130	1990-1991	40504
9.9	1996 & Up	40689	130	1992-1995	40505
15	1990-1992	40688	150	1990-1991	40656
15	1996 & Up	40689	150	1992-1995	40505
20	1996-1997	40687	150	1996 & Up	40508
25 (2-Cyl.)	1988-2009	40687	C150	1996-1999	40508
25	1984-1987	40690	P150	1992-1995	40505
C25	1991-1997	40690	P150	1996-1999	40508
CV25	1990	40690	S150	1996-1999	40508
25 (3-Cyl.)	1997-2002	40691	V150	1996 & Up	40508
30	1984-1986	40690	175	1990-1991	40656
C30	1991-1992	40690	175	1992-1995	40505
CV30	1989-1990	40690	175	1996-2001	40508
30/C30 (3-Cyl.)	1995	40691	P175	1992-1995	40505
C30 (2-Cyl.)	1994-1996	40692	P175	1996-1999	40508
CV40	1991-1993	40693	S175	1996-2000	40508
CV40 (2-Cyl.)	1991-1993	40693	200	1990-1991	40656
C40 (2-Cyl.)	1994-1997	40509	200	1992-1995	40505
40	1988 & Before	40694	200	1996-2001	40508
40	1989 & Up	40695	P200	1991-1992	40656
C40 (3-Cyl.)	1998-2003	40695	P200	1992-1995	40505
P40	1989 & Up	40695	P200	1996-1999	40508
E48	1995-2000	40675	S200	1996-1999	40508
50	1988 & Before	40694	225 (2.6L)	1992-1995	40505
50	1989 & Up	40695	225 (2.6L)	1996 & Up	40508
C50	1989 & Up	40695	225 (3.1L)	1990-1996	40511
P50	1989 & Up	40695	S225	1996-1999	40511
PR50	1989 & Up	40695	250 (3.1L)	1990-1996	40511
PRO50	1988 & Before	40694	S250	1990-1996	40511
PRO50	1989 & Up	40695	4-Stroke		
C55	1989-1995	40675	F9.9	2005 & Before	40669
CV55	1989-1995	40675	F9.9-2	2005 & Before	40668
60	2001-2005	40697	FT9.9	1985-1991	40667
C60	1990-1991	40698	T9.9	2005 & Before	40669
E60	1990-1991	40698	T9.9-2	2005 & Before	40668
P60	1991	40698	F15	2005 & Before	40668
P60	1992-1999	40697	F25	2003 & Before	40672
70	1990-1991	40698	F25	2004 & 2006	40665
70	1992-2004	40697	T25	2003 & Before	40672
70	2009	40697	T25	2004 & 2006	40665
C70	2000-2001	40697	F30	2000 & Up	40665
C75	1994-1996	40502	F40	2000 & Up	40665
C75	1998-1999	40501	F40B	2000 & Up	40665
E75	1994-1996	40502	F75	2003 & Up	40674
P75	1992 & Up	40699	F80	2002 & Before	40678
C80	1998-1999	40501	F80	2003 & Up	40674
C85	1994-1996	40502	F90	2003 & Up	40674
CV85	1994-1996	40502	F100	2002 & Before	40678
90	1990-1991	40502	F100	2003 & Up	40674
90	1992 & Up	40699			
B90	1990-1991	40502			
C90	1992 & Up	40699			

Section 7

Yamaha

Aluminum Anodes & Prop Hardware Kits

<i>Yamaha Aluminum Anodes</i>	118-121
<i>Suzuki Aluminum Anodes</i>	122
<i>Honda Aluminum Anodes</i>	123
<i>Yamaha Prop Hardware Kits</i>	124-125
<i>Yamaha Prop Wrench</i>	125

Yamaha

YAMAHA ALUMINUM ANODE KITS

No. 26910

ALUMINUMANODE KIT
OEM: N/A

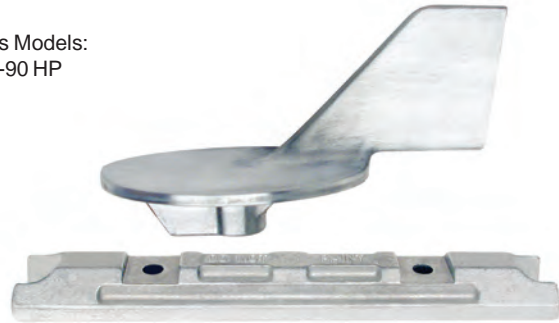
Fits Models:
4T-40-60 HP



No. 26920

ALUMINUMANODE KIT
OEM: N/A

Fits Models:
60-90 HP



No. 26930

ALUMINUMANODE KIT
OEM: N/A

Fits Models:
150-200 HP



No. 26940

ALUMINUMANODE KIT
OEM: N/A

Fits Models:
150-200 HP
Counter Rotation



No. 26950

ALUMINUMANODE KIT
OEM: N/A

Fits Models:
200-250 HP



No. 26960

ALUMINUMANODE KIT
OEM: N/A

Fits Models:
200-300 HP



Yamaha

YAMAHA ALUMINUM ANODES

No. 12743

ALUMINUM ANODE
OEM: 664-45371-01

Fits Models:
20-50 HP



No. 12844

ALUMINUM ANODE
OEM: 61N-45251-01

Fits Models:
F25, C30 HP



No. 12748

ALUMINUM ANODE
OEM: 6E0-45251-12-00

Fits Models:
40 HP



No. 26677

ALUMINUM ANODE
OEM: 67C-45251-00

Fits Models:
4T-40-60 HP



No. 12886

ALUMINUM ANODE
OEM: 688-45251-01

Fits Models:
40-90 HP



No. 12884

ALUMINUM ANODE
OEM: 6H1-45251-03-00

Fits Models:
40-90 HP



No. 12882

ALUMINUM ANODE
OEM: 6E5-45251-00

Fits Models:
40-90 HP



No. 12688

ALUMINUM ANODE
OEM: 62Y-11325-00

Fits Models:
40-200 HP



Yamaha

YAMAHA ALUMINUM ANODES

No. 12881

ALUMINUM ANODE
OEM: 688-45371-02

Fits Models:
60, 70, 90 HP
(1984 & Up),
C-60, C-75,
C-85, C-90 HP
(1994-01), E-60,
E-75, F-50, P-60,
P-75, T-50 HP



No. 12741

ALUMINUM ANODE
OEM: 67F-11325-00

Fits Models:
80-100 HP



No. 12735

ALUMINUM ANODE
OEM: 67F-11325-01

Fits Models:
80-100 HP



No. 12845

ALUMINUM ANODE
OEM: 67C-45371

Fits Models:
80-100 HP



No. 12841

ALUMINUM ANODE
OEM: 6T5-45371-00

Fits Models:
V6/V8 DR, DL
(1989-90),
L4 DR (1990),
90, 100, 115 HP



No. 12744

ALUMINUM ANODE
OEM: 6E5-45371-01

Fits Models:
115, 130 HP V6



No. 12885

ALUMINUM ANODE
OEM: 6G5-45251-02-00

Fits Models:
115-225 HP



No. 12843

ALUMINUM ANODE
OEM: 6K1-45371-02

Fits Models:
120, 200 HP
Counter Rotation



No. 12883

ALUMINUM ANODE
OEM: 6J9-45371

Fits Models:
150 HP



No. 12745

ALUMINUM ANODE
OEM: 6K1-45371

Fits Models:
150, 200 HP



Yamaha

YAMAHA ALUMINUM ANODES

No. 12842

ALUMINUM ANODE
OEM: 61A-45371

Fits Models:
200, 225, 250 HP



No. 26678

ALUMINUM ANODE
OEM: 69L-45371-00

Fits Models:
200-300 HP



NEW

No. 12685

ALUMINUM ANODE
OEM: 63P-11325-01

Cube for Engine



NEW

No. 12686

ALUMINUM ANODE
OEM: 63P-11325-11

Cube for Engine



NEW

No. 12749

ALUMINUM ANODE
OEM: 68V-11325-02

For Cylinder Head



NEW

No. 12684

ALUMINUM ANODE
OEM: 682-11325-00

Small plate for Engine



NEW

No. 12687

ALUMINUM ANODE
OEM: 63P-11325-21

Washer Anode



NEW

No. 12689

ALUMINUM ANODE
OEM: 68T-11325-00

Long Washer Anode



NEW

No. 12716

ALUMINUM ANODE
OEM: 61A-11325-00

Pencil Anode



NEW

Yamaha

SUZUKI ALUMINUM ANODES

No. 12887

ALUMINUM ANODE
OEM: 55320-95310

Fits Models:
DF-9.9-250 HP
(1997-06),
DT-4-225 HP
(1983-06)



No. 12856

ALUMINUM ANODE
OEM: 55125-96310

Fits Models:
DF-25, DF-30
(2000-03),
DT-20-35 HP
(1983-00)



No. 12855

ALUMINUM ANODE
OEM: 55125-95500

Fits Models:
DF-40, DF-50
(1999-06),
DT-40-85 HP
(1983-00)



No. 12846

ALUMINUM ANODE
OEM: 11130-94600

Fits Models:
DF-60, DF-70
(1998-03),
DT-5-175 HP
(1983-06)



No. 12848

ALUMINUM ANODE
OEM: 41810-87D00

Fits Models:
DT-90-225 HP
(1986-03)



No. 12857

ALUMINUM ANODE
OEM: 55320-94900

Fits Models:
DF-60-250
(2001-06),
DT-115,
DT-140 HP
(1996-01)



No. 12849

ALUMINUM ANODE
OEM: 55120-87801

Fits Models:
DT-150-225
(1986-03)



No. 12847

ALUMINUM ANODE
OEM: 11281-87D00

Fits Models:
DT75-225 HP
(1986-03)



Yamaha

HONDA ALUMINUM ANODES

No. 12748

ALUMINUM ANODE
OEM: 6E0-45251-12-00

Fits Models:
4-5 HP



No. 12743

ALUMINUM ANODE
OEM: 41107-ZV5-000

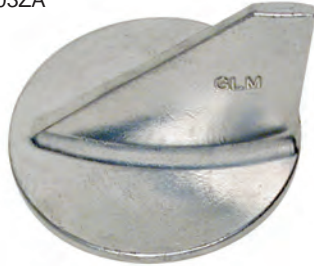
Fits Models:
20-50 HP



No. 12670

ALUMINUM ANODE
OEM: 41107-ZW1-003ZA

Fits Models:
BF-75-BF-90 HP



No. 12858

ALUMINUM ANODE
OEM: 12155-ZV5-000

Mounts inside water passages on both intake and exhaust side.



No. 12675

ALUMINUM ANODE
OEM: 41109-ZW1-003

Mounts on each side of extension case.



No. 12859

ALUMINUM ANODE
OEM: 06411-ZW1-000

Mounts on bottom stern bracket.



No. 12861

ALUMINUM ANODE
OEM: 41109-ZW1-B00

Mounts on each side of extension case.



Yamaha

YAMAHA PROP NUT KITS

No. 21253

PROP HARDWARE KIT
OEM: 66T-W4599-00

Kit contains these items also available individually:



No. 22070

COTTER PIN
OEM: 91490-30030-00



No. 21231

NUT
OEM: 90171-16011-00



No. 21222

BUSHING
OEM: 90389-22M01-00



No. 22179

SPACER
OEM: 66T-45997-00

Fits Models: F30 HP, F40 HP, F50 HP, F60 HP

No. 21254

PROP HARDWARE KIT
OEM: 67F-W4599-00

Kit contains these items also available individually:



No. 22090

COTTER PIN
OEM: 91490-40030-00



No. 21231

NUT
OEM: 90171-16011-00



No. 21223

BUSHING
OEM: 90389-25M00-00



No. 22178

SPACER
OEM: 67F-45997-00

Fits Models: F50 HP, F75 HP, F80 HP, F90 HP, F100 HP,
FT 80 HP, T50 HP, T60 HP, 60 HP, 70 HP, 90 HP

No. 21255

PROP HARDWARE KIT
OEM: 689-W4599-00

Kit contains these items also available individually:



No. 22070

COTTER PIN
OEM: 91490-30030-00



No. 21233

NUT
OEM: 90171-14013-00



No. 21224

WASHER
OEM: 92990-14200-00



No. 22177

SPACER
OEM: 689-45997-00

Fits Models: C25 HP, C30 HP, CV25 HP, CV30 HP, F25 HP, 25 HP, 30 HP

Yamaha

YAMAHA PROP NUT KITS & PROP WRENCH

No. 21251

PROP HARDWARE KIT
OEM: 6G5-W4599-00

Kit contains these items also available individually:

*Prop Wrench. No. 90061 Sold Separately



No. 22090
COTTER PIN
OEM: 91490-40030-00



No. 21241
NUT
OEM: 90171-18M04-00



No. 21221
WASHER
OEM: 92990-18200-00



No. 22191
SPACER
OEM: 688-45997-01

No. 90061

PROP WRENCH
OEM: MAR-PROPW-RN-CH



1-1/16"
Color Coded:
Blue

V4 & V6
(Fits Prop Nut 21241)

Fits Models: B-115HP, C-115HP, C-150HP, D-150HP, DX-150HP, F-115HP, F-150HP, F-200HP, F-225HP, F-250HP, L-115HP, L-130HP, L-150HP, L-200HP, L-225HP, L-250HP, LF-115HP, LF-150HP, LF-200HP, LF-225HP, LF-250HP, LX-150HP, LX-200HP, LX-225HP, LX-250HP, LZ-150HP, LZ-200HP, LZ-250HP, LZ-300HP, P-115HP, P-150HP, P-175HP, P-200HP, PW-150HP, PX-150HP, S-115HP, S-130HP, S-150HP, S-175HP, S-200HP, S-225HP, S-250HP, SX-150HP, SX-200HP, SX-225HP, SX-250HP, V-150HP, V-175HP, V-200HP, V-225HP, VX-150HP, VX-200HP, VX-225HP, VX-250HP, VX-300HP, VZ-150HP, VZ-175HP, VZ-200HP, VZ-225HP, VZ-250HP, Z-150HP, Z-175HP, Z-200HP, Z-250HP, Z-300HP, 115HP, 130HP, 150HP, 175HP, 200HP, 225HP, 250HP

No. 21261

PROP HARDWARE KIT
OEM: 6H1-W4599-00

Kit contains these items also available individually:



No. 22070
COTTER PIN
OEM: 91490-30030-00



No. 21231
NUT
OEM: 90171-16011-00



No. 21211
WASHER
OEM: 90201-17M00-00



No. 22191
SPACER
OEM: 688-45997-01

Fits Models: B-90HP, C-60HP, C-70HP, C-75HP, C-80HP, C-85HP, C-90HP, CV-85HP, E-60HP, E-75HP, P-60HP, P-75HP, S-75HP, T-50HP, 60HP, 70HP, 90HP

No. 21262

PROP HARDWARE KIT
OEM: 6H4-W4599-00

Kit contains these items also available individually:



No. 22070
COTTER PIN
OEM: 91490-30030-00



No. 21231
NUT
OEM: 90171-16011-00



No. 21225
WASHER
OEM: 92990-16200-00



No. 22176
SPACER
OEM: 670-45997-02

Fits Models: C-40HP, C-50HP, C-55HP, CV-40HP, CV-55HP, E-48HP, F-40HP, F-50HP, P-40HP, P-50HP, 40HP, 50HP



Section 8

Yamaha

Oil Seals Shaft & Bore Size Charts, Years/Models Index

<i>Yamaha - Oil Seals Shaft & Bore Size</i>	128
<i>Yamaha - Index of All Years and Models (1984-1989)</i>	129
<i>Yamaha - Index of All Years and Models (1989 cont.-1992)</i>	130
<i>Yamaha - Index of All Years and Models (1992 cont.-1995)</i>	131
<i>Yamaha - Index of All Years and Models (1995 cont.-1997)</i>	132
<i>Yamaha - Index of All Years and Models (1997 cont.-1999)</i>	133
<i>Yamaha - Index of All Years and Models (1999 cont.-2002)</i>	134
<i>Yamaha - Index of All Years and Models (2002 cont.-2004)</i>	135
<i>Yamaha - Index of All Years and Models (2004 cont.-2006)</i>	136
<i>Yamaha - Index of All Years and Models (2006 cont.)</i>	137

Yamaha

OIL SEALS SHAFT & BORE SIZE

GLM	OEM	Shaft Size	Bore Size
Table By OEM Numbers			
85658	93101-13M27	13mm	25mm
85660	93101-17054	-	-
85231	93101-20M07	20mm	34mm
85225	93101-22067	22mm	36mm
85227	93101-22M60	22mm	35.5mm
85228	93101-23070	23mm	37mm
85229	93101-25M03	25mm	40mm
85224	93101-25M57	23mm	35.5
85222	93101-28M16	28mm	43mm
85221	93101-30M17	30mm	45mm
85232	93102-20484	20mm	30mm
85223	93106-09014	9mm	19mm
85226	93110-16004	16mm	30mm
Table By Shaft Size			
85223	93106-09014	9mm	19mm
85658	93101-13M27	13mm	25mm
85226	93110-16004	16mm	30mm
85232	93102-20484	20mm	30mm
85231	93101-20M07	20mm	34mm
85227	93101-22M60	22mm	35.5mm
85225	93101-22067	22mm	36mm
85224	93101-25M57	23mm	35.5
85228	93101-23070	23mm	37mm
85229	93101-25M03	25mm	40mm
85222	93101-28M16	28mm	43mm
85221	93101-30M17	30mm	45mm
85660	93101-17054	-	-



Yamaha

YAMAHA OUTBOARDS - ALL YEARS & MODELS (1984-1989)

Year	HP / Model	Year	HP / Model	Year	HP / Model
1984	115ETLN	1986	115ETLJ	1987	V6 EXCEL XH
1984	115ETXN	1986	115ETXJ	1988	115ETLG
1984	15ELN	1986	150ETLJ	1988	115ETLGJD
1984	15ESN	1986	150ETXJ	1988	115ETXG
1984	15LN	1986	15ELJ	1988	130ETLG
1984	15SN	1986	15ESJ	1988	130ETXG
1984	200ETLN	1986	15LJ	1988	15ELG
1984	200ETXN	1986	15SJ	1988	15ESG
1984	25ELN	1986	175ETLJ	1988	15LG
1984	25ESN	1986	175ETXJ	1988	15SG
1984	25LN	1986	200ETLJ	1988	25ELG
1984	25SN	1986	200ETXJ	1988	25ESG
1984	2SN	1986	30ELJ	1988	25LG
1984	30ELN	1986	30ESJ	1988	25SG
1984	30ESN	1986	40ELJ	1988	2SG
1984	40ELN	1986	40ESJ	1988	3LG
1984	40ESN	1986	40ETLJ	1988	3SG
1984	40LN	1986	40LJ	1988	40ELG
1984	40SN	1986	40SJ	1988	40ESG
1984	4LN	1986	50ELJ	1988	40ETLG
1984	4SN	1986	50ESJ	1988	40LG
1984	5LN	1986	50ETLJ	1988	40SG
1984	5SN	1986	70ETLJ	1988	4LG
1984	70ETLN	1986	9.9ELJ	1988	4SG
1984	8LN	1986	9.9ESJ	1988	50ELG
1984	8SN	1986	9.9LJ	1988	50ESG
1984	9.9ELN	1986	9.9SJ	1988	50ESGJD
1984	9.9ESN	1986	90ETLJ	1988	70ETLG
1984	9.9LN	1986	F9.9SJ	1988	9.9ELG
1984	9.9SN	1986	FT9.9ELJ	1988	9.9ESG
1984	90ETLN	1986	FT9.9EXJ	1988	9.9LG
1984	90ETXN	1986	FT9.9XJ	1988	9.9SG
1985	115ETLK	1986	L150ETXJ	1988	90ETLG
1985	115ETXK	1986	L200ETXJ	1988	90ETLGJD
1985	150ETLK	1986	PROV 150J	1988	F9.9LG
1985	150ETXK	1986	V6 SPECIAL J	1988	F9.9SG
1985	15ELK	1987	115ETLH	1988	FT9.9ELG
1985	15ESK	1987	115ETJHJD	1988	FT9.9EXG
1985	15LK	1987	115ETXH	1988	FT9.9XG
1985	15SK	1987	150ETLH	1988	L150ETXG
1985	175ETLK	1987	150ETXH	1988	L200ETXG
1985	175ETXK	1987	15ELH	1988	PRO50LG
1985	200ETLK	1987	15ESH	1988	PROV150LG
1985	200ETXK	1987	15LH	1988	V6EXCELLG
1985	25ELK	1987	15SH	1988	V6EXCELXG
1985	25ESK	1987	175ETLH	1989	115ETLF
1985	25LK	1987	175ETXH	1989	115ETLFJD
1985	25SK	1987	200ETLH	1989	115ETXF
1985	2SK	1987	200ETLHJD	1989	130ETLF
1985	30ELK	1987	200ETXH	1989	130ETXF
1985	30ESK	1987	30ELH	1989	150ETLF
1985	40ELK	1987	30ESH	1989	150ELF
1985	40ESK	1987	30LH	1989	15ELF
1985	40ETLK	1987	30SH	1989	15ESF
1985	40LK	1987	50ELH	1989	15LF
1985	40SK	1987	50ESH	1989	15SF
1985	4LK	1987	50ESHJD	1989	175ETLF
1985	4SK	1987	70ETLH	1989	175ETXF
1985	5LK	1987	9.9ELH	1989	200ETLF
1985	5SK	1987	9.9ESH	1989	200ETLFJD
1985	70ETLK	1987	9.9LH	1989	200ETXF
1985	8LK	1987	9.9SH	1989	25ELF
1985	8LK	1987	90ETLH	1989	25ESF
1985	8SK	1987	90ETLHJD	1989	25LF
1985	9.9ELK	1987	F9.9LH	1989	25SF
1985	9.9ESK	1987	F9.9SH	1989	2F
1985	9.9LK	1987	FT9.9ELH	1989	30ELF
1985	9.9SK	1987	FT9.9EXH	1989	30ESF
1985	90ETLK	1987	FT9.9XH	1989	30LF
1985	FT9.9ELK	1987	L150ETXH	1989	30SF
1985	FT9.9EXK	1987	L200ETXH	1989	3LF
1985	FT9.9XK	1987	PRO V 150LH	1989	3SF
1985	V6-SPECIAL LK	1987	PRO50LH	1989	40ELF
1985	V6-SPECIAL XK	1987	V6 EXCEL LH	1989	40ESF

Yamaha

YAMAHA OUTBOARDS - ALL YEARS & MODELS (1989 cont.-1992)

Year	HP / Model	Year	HP / Model	Year	HP / Model
1989	40ETLF	1990	30ELD	1991	9.9ELHP
1989	40LF	1990	30ESD	1991	9.9ESH
1989	40SF	1990	30LD	1991	9.9MLHP
1989	40SFJD	1990	30SD	1991	9.9MSHP
1989	4LF	1990	3LD	1991	90TJRP
1989	4SF	1990	3SD	1991	90TLRP
1989	50ELF	1990	40ELD	1991	C115TLRP
1989	50ESF	1990	40ESD	1991	C25ELRP
1989	50ESFJD	1990	40ETLD	1991	C30ELRP
1989	6LF	1990	40LD	1991	C40ELRP
1989	6SF	1990	40SD	1991	C55ELRP
1989	70ETLF	1990	40SDJD	1991	C85TLRP
1989	8LF	1990	4LD	1991	F9.9MLHP
1989	8SF	1990	4SD	1991	F9.9MSHP
1989	9.9ELF	1990	50ELD	1991	L130TXRP
1989	9.9ESF	1990	50ESD	1991	L150TXRP
1989	9.9LF	1990	50ESDJD	1991	L200TXRP
1989	9.9SF	1990	50ETMLD	1991	L250TLRP
1989	90ETLF	1990	70ETLD	1991	P150TLRP
1989	90ETLFJD	1990	8LD	1991	P200TLRP
1989	F9.9LF	1990	8SD	1991	P50TLRP
1989	F9.9SF	1990	9.9ELD	1991	P60TLHP
1989	FT9.9ELF	1990	9.9ESD	1991	T9.9ELHP
1989	FT9.9EXF	1990	9.9LD	1991	T9.9ELRP
1989	FT9.9XF	1990	9.9SD	1991	T9.9EXHP
1989	L130ETXF	1990	90ETLD	1991	T9.9MXHP
1989	L150ETXF	1990	90ETLDJD	1992	9.9MLHQ
1989	L200ETXF	1991	115TJRP	1992	9.9MSHQ
1989	PRO50LF	1991	115TLRP	1992	90TJRQ
1989	PROV150LF	1991	115TXRP	1992	90TLRQ
1989	V6 EXCEL LF	1991	130TLRP	1992	C115TLRQ
1989	V6 EXCEL XF	1991	130TXRP	1992	C115TXRQ
1990	CV25ELD	1991	150TLRP	1992	C30ELRQ
1990	CV25EMLD	1991	150TXRP	1992	C40ELRQ
1990	CV30ELD	1991	15ELHP	1992	C40MSHQ
1990	CV40ELD	1991	15ESH	1992	C40PLRQ
1990	CV85ELD	1991	15MLHP	1992	C55ELRQ
1990	CV85ELD	1991	15MSHP	1992	C85TLRQ
1990	F9.9LD	1991	175TLRP	1992	DUAL STATION
1990	F9.9SD	1991	175TXRP	1992	F9.9MLHQ
1990	FT9.9ELD	1991	200TJRP	1992	F9.9MSHQ
1990	FT9.9ERLD	1991	200TLRP	1992	L130TXRQ
1990	FT9.9EXD	1991	200TXRP	1992	L150TXRQ
1990	FT9.9XD	1991	225TLRP	1992	L200TXRQ
1990	L130ETXD	1991	225TXRP	1992	L250TURQ
1990	L150ETXD	1991	250TURP	1992	L250TXRQ
1990	L200ETXD	1991	250TXRP	1992	P150TLRQ
1990	L250ETXD	1991	25ELHP	1992	P200TLRQ
1990	PRO50LD	1991	25ELRP	1992	P50TLRQ
1990	PROV150LD	1991	25ESH	1992	P60TLHQ
1990	115ETLD	1991	25MLHP	1992	T9.9ELHQ
1990	115ETLDJD	1991	25MSHP	1992	T9.9ELRQ
1990	115ETXD	1991	2MSHP	1992	T9.9EXHQ
1990	130ETLD	1991	30ELRP	1992	T9.9MXHQ
1990	130ETXD	1991	30ESRP	1992	115TJRQ
1990	150ETLD	1991	30MLHP	1992	115TLRQ
1990	150ETXD	1991	30MSHP	1992	115TXRQ
1990	15ELD	1991	3MLHP	1992	130TLRQ
1990	15ESD	1991	3MSHP	1992	130TXRQ
1990	15LD	1991	40EJRP	1992	150TLRQ
1990	15SD	1991	40ELRP	1992	150TXRQ
1990	175ETLD	1991	40ESRP	1992	15ELHQ
1990	175ETXD	1991	40MJHP	1992	15ESHQ
1990	200ETLD	1991	40MLHP	1992	15MLHQ
1990	200ETLDJD	1991	40MSHP	1992	15MSHQ
1990	200ETXD	1991	40PLRP	1992	175TLRQ
1990	225ETLD	1991	4MLHP	1992	175TXRQ
1990	225ETXD	1991	4MSHP	1992	200TJRQ
1990	250ETXD	1991	50EJRP	1992	200TLRQ
1990	25ELD	1991	50ELRP	1992	200TXRQ
1990	25ESD	1991	50TLHP	1992	225TLRQ
1990	25LD	1991	70TLRP	1992	225TXRQ
1990	25SD	1991	8MLHP	1992	250TURQ
1990	2SD	1991	8MSHP	1992	250TXRQ

Yamaha

YAMAHA OUTBOARDS - ALL YEARS & MODELS (1992 cont.-1995)

Year	HP / Model	Year	HP / Model	Year	HP / Model
1992	25ELHQ	1993	6MLHR	1994	40MSHS
1992	25ELRQ	1993	6MSHR	1994	40PLRS
1992	25ESHQ	1993	70TLRR	1994	40TLRS
1992	25MLHQ	1993	70TRR	1994	4MLHS
1992	25MSHQ	1993	8MLHR	1994	4MSHS
1992	2MSHQ	1993	8MSHR	1994	50EJRS
1992	30ELRQ	1993	9.9ELHR	1994	50ELRS
1992	30ESRQ	1993	9.9ESHR	1994	50THS
1992	30MLHQ	1993	9.9MLHR	1994	50TLHS
1992	30MSHQ	1993	9.9MSHR	1994	6MLHS
1992	3MLHQ	1993	90TJRR	1994	6MSHS
1992	3MSHQ	1993	90TLRR	1994	70TLRS
1992	40EJRQ	1993	C115TLRR	1994	8MLHS
1992	40ELRQ	1993	C115TXRR	1994	8MSHS
1992	40ESRQ	1993	C25ELHR	1994	9.9ELHS
1992	40MJHQ	1993	C25ELRR	1994	9.9ESHS
1992	40MLHQ	1993	C25MLHR	1994	9.9MLHS
1992	40MSHQ	1993	C25MSHR	1994	9.9MSHS
1992	40PLRQ	1993	C30ELRR	1994	90TJRS
1992	4MLHQ	1993	C40ELRR	1994	90TLRS
1992	4MSHQ	1993	C40MSHR	1994	C115TLRS
1992	50EJRQ	1993	C40PLRR	1994	C115TXRS
1992	50ELRQ	1993	C55ELRR	1994	C25ELHS
1992	50TLHQ	1993	C55TLRR	1994	C25ELRS
1992	6MLHQ	1993	C85TLRR	1994	C25MLHS
1992	6MSHQ	1993	F9.9MLHR	1994	C25MSHS
1992	70TLRQ	1993	F9.9MSHR	1994	C30ELRS
1992	8MLHQ	1993	L130TXRR	1994	C55ELRS
1992	8MSHQ	1993	L150TXRR	1994	C55TLRS
1992	9.9ELHQ	1993	L200TXRR	1994	C75TLRS
1992	9.9ESHQ	1993	L250TURR	1994	C85TLRS
1992	9.9ESHQ	1993	L250TXRR	1994	F9.9MLHS
1993	115TJRP	1993	P115TLRR	1994	F9.9MSHS
1993	115TLRP	1993	P150TLRR	1994	L130TXRS
1993	115TXRR	1993	P200TLRR	1994	L150TXRS
1993	130TLRP	1993	P50TLRR	1994	L200TXRS
1993	130TXRR	1993	P60TLHR	1994	L225TXRS
1993	150TLRR	1993	T9.9ELHR	1994	L250TURS
1993	150TXRR	1993	T9.9ELRR	1994	L250TXRS
1993	15ELHR	1993	T9.9EXHR	1994	P115TLRS
1993	15ESHR	1993	T9.9MXHR	1994	P150TLRS
1993	15MLHR	1994	115TJRS	1994	P175TLRS
1993	15MSHR	1994	115TLRS	1994	P200TLRS
1993	175TLRR	1994	115TXRS	1994	P50TLRS
1993	175TXRR	1994	130TLRS	1994	P60TLHS
1993	200TJRR	1994	130TXRS	1994	T9.9ELHS
1993	200TLRR	1994	150TLRS	1994	T9.9ELRS
1993	200TXRR	1994	150TXRS	1994	T9.9EXHS
1993	225TLRR	1994	15ELHS	1994	T9.9MXHS
1993	225TXRR	1994	15ESHS	1995	115EJRT
1993	25ELHR	1994	15MLHS	1995	115TLRT
1993	25ELRR	1994	15MSHS	1995	115TXRT
1993	25ESHR	1994	175TLRS	1995	130TLRT
1993	25MLHR	1994	175TXRS	1995	130TXRT
1993	25MSHR	1994	200TJRS	1995	150TLRT
1993	2MSHR	1994	200TLRS	1995	150TXRT
1993	30ELRR	1994	200TXRS	1995	15ELHT
1993	30ESRR	1994	225TLRS	1995	15ESHT
1993	30MLHR	1994	225TXRS	1995	15MLHT
1993	30MSHR	1994	250TURS	1995	15MSHT
1993	3MLHR	1994	250TXRS	1995	175TLRT
1993	3MSHR	1994	25ELHS	1995	175TXRT
1993	40EJRR	1994	25ELRS	1995	200TJRT
1993	40ELRR	1994	25ESHS	1995	200TLRT
1993	40ESRR	1994	25MLHS	1995	200TXRT
1993	40MJHR	1994	25MSHS	1995	225TLRT
1993	40MLHR	1994	2MSHS	1995	225TURT
1993	40MSHR	1994	3MLHS	1995	225TXRT
1993	40PLRR	1994	3MSHS	1995	250TURT
1993	4MLHR	1994	40EJRS	1995	250TXRT
1993	4MSHR	1994	40ELRS	1995	25ELHT
1993	50EJRR	1994	40ESRS	1995	25ELRT
1993	50ELRR	1994	40MJHS	1995	25ESHT
1993	50TLHR	1994	40MLHS	1995	25MLHT

Yamaha

YAMAHA OUTBOARDS - ALL YEARS & MODELS (1995 cont.-1997)

Year	HP / Model	Year	HP / Model	Year	HP / Model
1995	25MLHT	1996	15MLHU	1996	P200TLRU
1995	2MSHT	1996	15MSHU	1996	P50TLRU
1995	3MLHT	1996	200TLRU	1996	P60TLHU
1995	3MSHT	1996	20MLHU	1996	P75TLHU
1995	40EJRT	1996	20MSHU	1996	S115TLRU
1995	40ELRT	1996	225TLRU	1996	S115TXRU
1995	40ESRT	1996	25ELHU	1996	S130TLRU
1995	40MJHT	1996	25ELRU	1996	S130TXRU
1995	40MLHT	1996	25ESHU	1996	S150TLRU
1995	40MSHT	1996	25MLHU	1996	S150TSRU
1995	40TLRT	1996	25MSHU	1996	S175TXRU
1995	4MLHT	1996	2MSHU	1996	S200TXRU
1995	4MSHT	1996	30ELHU	1996	S225TXRU
1995	50EJRT	1996	30ELRU	1996	S225TXRU
1995	50ELRT	1996	30ESRU	1996	S250TURU
1995	50TLHT	1996	30MLHU	1996	S250TXRU
1995	5MSHT	1996	30MSHU	1996	T50TLRU
1995	5MSHT	1996	3MLHU	1996	T9.9ELHU
1995	6MLHT	1996	3MSHU	1996	T9.9ELRU
1995	6MSHT	1996	40EJRU	1996	T9.9EXHU
1995	70TLRT	1996	40ELRU	1996	T9.9MLHU
1995	8MLHT	1996	40ESRU	1996	T9.9MXHU
1995	8MSHT	1996	40MJHU	1997	115TJRV
1995	9.9ELHT	1996	40MLHU	1997	115TLRV
1995	9.9ESHT	1996	40MSHU	1997	130TLRV
1995	9.9MLHT	1996	40TLHU	1997	150TJRV
1995	9.9MSHT	1996	40TLRU	1997	150TLRV
1995	90EJRT	1996	4MLHU	1997	15ELHV
1995	90TLRT	1996	4MSHU	1997	15ESHV
1995	C115TLRT	1996	50EJRU	1997	15MLHV
1995	C115TXRT	1996	50TLHU	1997	15MSHV
1995	C25ELHT	1996	5MLHU	1997	175TLRV
1995	C25ELRT	1996	5MSHU	1997	200TLRV
1995	C25MLHT	1996	6MLHU	1997	20MLHV
1995	C25MSHT	1996	6MSHU	1997	20MSHV
1995	C30ELRT	1996	70TLRU	1997	225TLRV
1995	C40ELRT	1996	8MLHU	1997	25ELHV
1995	C40MLHT	1996	8MSHU	1997	25ELRV
1995	C40MSHT	1996	9.9ELHU	1997	25ESHV
1995	C40PLRT	1996	9.9ELRU	1997	25MLHV3
1995	C55ELRT	1996	9.9ESHU	1997	25MSHV3
1995	C55TLRT	1996	9.9MLHU	1997	2MSHV
1995	C75TLRT	1996	9.9MSHU	1997	30ELHV
1995	C85TLRT	1996	90TJRU	1997	30ELRV
1995	E48MLHT	1996	90TLRU	1997	30ESRV
1995	E60MLHT	1996	C115TLRU	1997	30MLHV
1995	E75MLHT	1996	C115TXRU	1997	30MSHV
1995	F9.9MLHT	1996	C150TLRU	1997	3MLHV
1995	F9.9MSHT	1996	C150TXRU	1997	3MSHV
1995	L130TXRT	1996	C25ELHU	1997	40EJRV
1995	L150TXRT	1996	C25ELRU	1997	40ELRV
1995	L200TLRT	1996	C25MLHU	1997	40ESRV
1995	L200TXRT	1996	C25MSHU	1997	40MJHV
1995	L225TURT	1996	C30ELRU	1997	40MLHV
1995	L225TXRT	1996	C40ELRU	1997	40MSHV
1995	L250TURT	1996	C40MSHU	1997	40TLHV
1995	L250TXRT	1996	C40PLRU	1997	40TLRV
1995	P115TLRT	1996	C60TLRU	1997	4MLHV
1995	P150TLRT	1996	C75TLRU	1997	4MSHV
1995	P175TLRT	1996	C85TLRU	1997	50EJRV
1995	P200LTRT	1996	E60MLHU	1997	50TLHV
1995	P50TLRT	1996	E75MLHU	1997	50TLRV
1995	P60TLHT	1996	F50TLHU	1997	5MLHV
1995	T9.9ELHT	1996	F50TLRU	1997	5MSHV
1995	T9.9ELRT	1996	L130TXRU	1997	6MLHV
1995	T9.9EXHT	1996	L150TXRU	1997	6MSHV
1995	T9.9MXHT	1996	L200TXRU	1997	70TLRV
1996	115TJRV	1996	L225TURU	1997	8MLHV
1996	115TLRU	1996	L225TXRU	1997	8MSHV
1996	130TLRU	1996	L250TURU	1997	9.9ELRV
1996	150TJRV	1996	L250TXRU	1997	9.9ESHV
1996	150TLRU	1996	P115TLRU	1997	9.9MLHV
1996	15ELHU	1996	P150TLRU	1997	9.9MSHV
1996	15ESHU	1996	P175TLRU	1997	90TJRV



Yamaha

YAMAHA OUTBOARDS - ALL YEARS & MODELS (1997 cont.-1999)

Year	HP / Model	Year	HP / Model	Year	HP / Model
1997	90TLRV	1998	30ELHW	1998	T50TLRW
1997	C115TLRV	1998	30ELHW	1998	V200TLRW
1997	C115TXRV	1998	30ELRW	1998	V225TLRW
1997	C150TLRV	1998	30ESRW	1999	115TJRX
1997	C150TXRV	1998	30MLHW	1999	130TLRX
1997	C25ELHV	1998	30MSHW	1999	150TJRX
1997	C25ELRV	1998	3MLHW	1999	15MLHX
1997	C25MLHV	1998	3MSHW	1999	15MSHX
1997	C25MSHV	1998	40ELRW	1999	25MLHX3
1997	C30ELRV	1998	40ESRW	1999	25MSHX3
1997	C40ELRV	1998	40MLHW	1999	2MSHX
1997	C40ESHV	1998	40MSHW	1999	30EHX
1997	C40MSHV	1998	40TLRW	1999	30ELHX
1997	C40PLRV	1998	4MLHW	1999	30ELRX
1997	C40TLRV	1998	4MSHW	1999	30ERX
1997	C60TLRV	1998	5MLHW	1999	30MHX
1997	C80TLRV	1998	5MSHW	1999	30MLHX
1997	C90TLRV	1998	6MLHW	1999	30MSHX
1997	D150TLRV	1998	6MSHW	1999	3MLHX
1997	E48MLHV	1998	70TLRW	1999	3MSHX
1997	E60MLHV	1998	8MLHW	1999	40EJRX
1997	E75MLHV	1998	8MSHW	1999	40ESRX
1997	F50TLHV	1998	9.9MLHW	1999	40MJHX
1997	F50TLRV	1998	9.9MSHW	1999	40MLHX
1997	F9.9MLHV	1998	90TJRW	1999	40MSHX
1997	F9.9MSHV	1998	90TLRW	1999	40TLRX
1997	L130TXRV	1998	B115TLRW	1999	4MLHX
1997	L150TXRV	1998	B90TLRW	1999	4MSHX
1997	L200TXRV	1998	C115TLRW	1999	50EJRX
1997	L225TURV	1998	C115TXRW	1999	5MLHX
1997	L225TXRV	1998	C150TLRW	1999	5MSHX
1997	L250TURV	1998	C150TXRW	1999	6MLHX
1997	L250TXRV	1998	C40TLRW	1999	6MSHX
1997	P150TLRV	1998	C50TLRW	1999	70TRX
1997	P175TLRV	1998	C60TLRW	1999	8MLHX
1997	P200TLRV	1998	C75TLRW	1999	8MSHX
1997	P60TLHV	1998	C90TLRW	1999	9.9MLHX
1997	P75TLHV	1998	D150TLRW	1999	9.9MSHX
1997	S115TLRV	1998	E48MLHW	1999	90TJRX
1997	S115TXRV	1998	E60MLHW	1999	90TLRX
1997	S130TLRV	1998	E75MLHW	1999	B115TLRX
1997	S130TXRV	1998	F15ELHW	1999	B90TLRX
1997	S150TLRV	1998	F15ESHW	1999	C115TLRX
1997	S150TXRV	1998	F15MLHW	1999	C115TXRX
1997	S175TXRV	1998	F15MSHW	1999	C150TLRX
1997	S200TXRV	1998	F25ELHW	1999	C150TXRX
1997	S225TURV	1998	F25ELRW	1999	C40TLRX
1997	S225TXRV	1998	F25ESHW	1999	C50TLRX
1997	S250TURV	1998	F25TLRW	1999	C60TLRX
1997	S250TXRX	1998	F50TLHW	1999	C75TLRX
1997	T50TLRV	1998	F50TLRW	1999	C90TLRX
1997	T9.9ELHV	1998	F9.9MLHW	1999	D150TLRX
1997	T9.9ELRV	1998	F9.9MSHW	1999	DX150TLRX
1997	T9.9EXHV	1998	L130TXRW	1999	E48MLHX
1997	T9.9EXRV	1998	L150TXRW	1999	E60MLHX
1997	T9.9MLHV	1998	L200TXRW	1999	E75MLHX
1997	T9.9MXHV	1998	L225TURW	1999	F100TLRX
1998	115TJRW	1998	L225TXRW	1999	F100TXRX
1998	115TLRV	1998	L250TURW	1999	F15ELHX
1998	130TLRW	1998	L250TXRW	1999	F15ESHX
1998	150TJRW	1998	P150TLRW	1999	F15MLHX
1998	150TLRW	1998	P175TLRW	1999	F15MSHX
1998	15MLHW	1998	P200TLRW	1999	F25ELHX
1998	15MSHW	1998	P40EJRW	1999	F25ELRX
1998	175TLRW	1998	P40TLHW	1999	F25ESHX
1998	200TLRW	1998	P60TLHW	1999	F25MLHX
1998	25ELHW	1998	P75TLHW	1999	F25MSHX
1998	25ELRW	1998	S115TLRW	1999	F25TLRX
1998	25ESHW	1998	S115TXRW	1999	F40TLRX
1998	25MLHW	1998	S130TLRW	1999	F4MLHX
1998	25MLHW3	1998	S130TXRW	1999	F4MSHX
1998	25MSHW	1998	S225TURW	1999	F50TLRX
1998	25MSHW3	1998	S225TXRW	1999	F80TLRX
1998	2MSHW	1998	S250TXRW	1999	F80TXRX

Yamaha

YAMAHA OUTBOARDS - ALL YEARS & MODELS (1999 cont.-2002)

Year	HP / Model	Year	HP / Model	Year	HP / Model
1999	F9.9MLHX	2000	LF115TRY	2001	F9.9ELRZ
1999	F9.9MSHX	2000	LX225TRY	2001	F9.9MLHZ
1999	L130TXRX	2000	LX250TRY	2001	F9.9MSHZ
1999	L150TXRX	2000	LZ150TRY	2001	LF115TXRZ
1999	L200TXRX	2000	LZ200TRY	2001	LX150TXRZ
1999	L225TXRX	2000	SX225TRY	2001	LX200TXRZ
1999	L250TURX	2000	SX250TRY	2001	LX225TXRZ
1999	L250TXRX	2000	T50TLRY	2001	LX250TURZ
1999	LX150TXRX	2000	V150TLRY	2001	LX250TXRZ
1999	LX200TXRX	2000	V175TLRY	2001	LZ150TXRZ
1999	P150TLRX	2000	VX150TLRY	2001	LZ200TXRZ
1999	P175TLRX	2000	VX200TLRY	2001	SX150TXRZ
1999	P200TLRX	2000	VX225TLRY	2001	SX200TXRZ
1999	P60TLHX	2000	VZ150TLRY	2001	SX225TURZ
1999	P75TLHX	2000	Z150TRY	2001	SX225TXRZ
1999	PX150TLRX	2000	Z200TRY	2001	SX250TURZ
1999	S115TLRX	2001	150TXRZ	2001	SX250TXRZ
1999	S115TXRX	2001	15MSHZ	2001	T25TLRZ
1999	S130TLRX	2001	25MHZ3	2001	T50TLRZ
1999	S130TXRX	2001	25MLHZ	2001	T8PLHZ
1999	S150TLRX	2001	25MSHZ	2001	T8PLRZ
1999	S150TXRX	2001	30ELHZ	2001	T8PXHZ
1999	S175TXRX	2001	30ELRZ	2001	T8PXRZ
1999	S200TXRX	2001	30MLHZ	2001	T9.9ELHZ
1999	S225TURX	2001	30MSHZ	2001	T9.9ELRZ
1999	S225TXRX	2001	40MJHZ	2001	T9.9EXHZ
1999	S250TXRX	2001	40MLHZ	2001	T.9.9EXRZ
1999	SX150TLRX	2001	40TLRZ	2001	V150TLRZ
1999	SX150TXRX	2001	5MSHZ	2001	VX150TLRZ
1999	T50TLRX	2001	70TLRZ	2001	VX200TLRZ
1999	T9.9ELHX	2001	8MSHZ	2001	VX225TLRZ
1999	T9.9ELRX	2001	9.9MSHZ	2001	VZ150TLRZ
1999	T9.9EXHX	2001	90TJRZ	2001	VZ175TLRZ
1999	T9.9EXRX	2001	90TLRZ	2001	VZ200TLRZ
1999	V200TLRX	2001	C40TLRZ	2001	Z150TLRZ
1999	V225TLRX	2001	C50TLRZ	2001	Z150TXRZ
2000	115TRY	2001	C60TLRZ	2001	Z175TXRZ
2000	130TRY	2001	C70TLRZ	2001	Z200TLRZ
2000	150TRY	2001	C90TLRZ	2001	Z200TXRZ
2000	15MHY	2001	DX150TLRZ	2002	115TLRA
2000	175TRY	2001	F100TLRZ	2002	115TXRA
2000	25MHY	2001	F100TXRZ	2002	130TLRA
2000	40MHY	2001	F115TJRZ	2002	130TXRA
2000	40TLRY	2001	F115TLRZ	2002	150TXRA
2000	50ERY	2001	F115TXRZ	2002	15MSHA
2000	70TLRY	2001	F15ELHZ	2002	25MSH3A
2000	9.9MHY	2001	F15ESHZ	2002	25MSHA
2000	90TJRY	2001	F15MLHZ	2002	25MSHA3
2000	90TLRY	2001	F15MSHZ	2002	2MSHA
2000	C115TRY	2001	F15PLHZ	2002	30MSHA
2000	C40TLRY	2001	F15PLRZ	2002	3MSHA
2000	C50TLRY	2001	F25ELHZ	2002	40TLRA
2000	C60TLRY	2001	F25ELRZ	2002	50TLRA
2000	C70TLRY	2001	F25ESHZ	2002	5MSHA
2000	C90TLRY	2001	F25ESRZ	2002	60TLRA
2000	DX150TLRY	2001	F25MLHZ	2002	70TLRA
2000	E48MHY	2001	F25MSHZ	2002	8MSHA
2000	E60MLHY	2001	F25TLRZ	2002	9.9MSHA
2000	E75MLHY	2001	F30TLRZ	2002	90TLRA
2000	F100TLRY	2001	F40ESRZ	2002	C40TLRA
2000	F115TRY	2001	F40MJHZ	2002	DX150TLRA
2000	F15EHY	2001	F40MLHZ	2002	F100TLRA
2000	F15MHY	2001	F40MSHZ	2002	F100TXRA
2000	F25EHY	2001	F40TLRZ	2002	F115TJRA
2000	F25ELRY	2001	F4MLHZ	2002	F115TLRA
2000	F25MHY	2001	F4MSHZ	2002	F115TXRA
2000	F25TLRY	2001	F50TJRZ	2002	F15ELHA
2000	F40ESRY	2001	F50TLRZ	2002	F15ESHA
2000	F40MHY	2001	F6MLHZ	2002	F15MLHA
2000	F40TLRY	2001	F6MSHZ	2002	F15MSHA
2000	F4MHY	2001	F80TJRZ	2002	F15PLHA
2000	F50TLRY	2001	F80TLRZ	2002	F15PLRA
2000	F80TLRY	2001	F8MLHZ	2002	F200TXRA
2000	L130TRY	2001	F8MSHZ	2002	F225TURA

Yamaha

YAMAHA OUTBOARDS - ALL YEARS & MODELS (2002 cont.-2004)

Year	HP / Model	Year	HP / Model	Year	HP / Model
2002	F225TURA	2003	50TLRB	2003	T8PXR
2002	F225TXRA	2003	60TLRB	2003	T9.9ELHB
2002	F25ELHA	2003	70TLRB	2003	T9.9ELRB
2002	F25ELRA	2003	9.9MSHB	2003	T9.9EXHB
2002	F25ESHA	2003	90TLRB	2003	V150TLRB
2002	F25ESRA	2003	DX150TLRB	2003	VX150TLRB
2002	F25MLHA	2003	F115TJRB	2003	VX200TLRB
2002	F25MSHA	2003	F115TLRB	2003	VX225TLRB
2002	F25TLRA	2003	F115TXRB	2003	VX250TLRB
2002	F30TLRA	2003	F15ELHB	2003	VZ150TLRB
2002	F40ESRA	2003	F15ESHB	2003	VZ175TLRB
2002	F40MJHA	2003	F15MLHB	2003	VZ200TLRB
2002	F40MLHA	2003	F15MSHB	2003	VZ225TLRB
2002	F40MSHA	2003	F15PLHB	2003	VZ250TLRB
2002	F40TLRA	2003	F15PLRB	2003	Z150TLRB
2002	F4MLHA	2003	F2.5MLHB	2003	Z150TXRB
2002	F4MSHA	2003	F2.5MSHB	2003	Z175TXRB
2002	F50TJRA	2003	F200TXRB	2003	Z250TURB
2002	F50TLRA	2003	F225TURB	2003	Z250TXRB
2002	F60TLRA	2003	F225TXRB	2004	115TLRC
2002	F6MLHA	2003	F25ELHB	2004	115TXRC
2002	F6MSHA	2003	F25ELRB	2004	130TLRC
2002	F80TJRA	2003	F25ESHB	2004	130TXRC
2002	F80TLRA	2003	F25ESRB	2004	150TXRC
2002	F8MLHA	2003	F25MLHB	2004	15MSHC
2002	F8MSHA	2003	F25MSHB	2004	25MSHC
2002	F9.9ELRA	2003	F25TLRB	2004	40TLRC
2002	F9.9MLHA	2003	F30TLRB	2004	50TLRC
2002	F9.9MSHA	2003	F40EJRB	2004	60TLRC
2002	LF115TXRA	2003	F40ESRB	2004	70TLRC
2002	LF200TXRA	2003	F40MJHB	2004	8MSHC
2002	LF225TURA	2003	F40MLHB	2004	9.9MSHC
2002	LF225TXRA	2003	F40MSHB	2004	90TLRC
2002	LX225TXRA	2003	F40TLRB	2004	DX150TLRC
2002	LX250TURA	2003	F4MLHB	2004	F115TJRC
2002	LX250TXRA	2003	F4MSHB	2004	F115TLRC
2002	LZ150TXRA	2003	F50TLRB	2004	F115TXRC
2002	LZ200TXRA	2003	F60TJRB	2004	F115TXRC
2002	SX150TXRA	2003	F60TLRB	2004	F115TXRC
2002	SX200TXRA	2003	F6MLHB	2004	F150TLRC
2002	SX225TURA	2003	F6MSHB	2004	F150TXRC
2002	SX225TXRA	2003	F75TLRB	2004	F15ESHC
2002	SX250TURA	2003	F8MLHB	2004	F15ESLC
2002	SX250TXRA	2003	F8MSHB	2004	F15MLHC
2002	T25TLRA	2003	F9.9MSHB	2004	F15MSHC
2002	T50TLRA	2003	F9.9ELRB	2004	F15PLHC
2002	T8ELHA	2003	F9.9MLHB	2004	F15PLRC
2002	T8EXHA	2003	F90TJRB	2004	F2.5MSHC
2002	T8PLHA	2003	F90TLRB	2004	F200TXRC
2002	T8PLRA	2003	LF115TXRB	2004	F225TURC
2002	T8PXHA	2003	LF200TXRB	2004	F225TXRC
2002	T8PXRA	2003	LF225TURB	2004	F25ELHC
2002	T9.9ELHA	2003	LF225TXRB	2004	F25ELRC
2002	T9.9ELRA	2003	LX225TXRB	2004	F25ESHC
2002	T9.9EXHA	2003	LX250TXRB	2004	F25ESRC
2002	V150TLRA	2003	LZ150TXRB	2004	F25MLHC
2002	VX200TLRA	2003	LZ200TXRB	2004	F25MSHC
2002	VX225TLRA	2003	LZ250TURB	2004	F25TLRC
2002	VX250TLRA	2003	LZ250TXRB	2004	F30TLRC
2002	VZ150TLRA	2003	SX150TXRB	2004	F40TJRC
2002	VZ175TLRA	2003	SX200TLRB	2004	F40MJHC
2002	VZ200TLRA	2003	SX200TXRB	2004	F40MLHC
2002	Z150TLRA	2003	SX225TURB	2004	F40TLRC
2002	Z150TXRA	2003	SX225TXRB	2004	F4MLHC
2002	Z175TXRA	2003	SX250TURB	2004	F4MSHC
2002	Z200TXRA	2003	SX250TXRB	2004	F50TLRC
2003	115TLRB	2003	T25TLRB	2004	F60TJRC
2003	115TXRB	2003	T50TLRB	2004	F60TLRC
2003	130TLRB	2003	T60TLRB	2004	F6MLHC
2003	130TXRB	2003	T8ELHB	2004	F6MSHC
2003	150TXRB	2003	T8EXHB	2004	F75TLRC
2003	15MSHB	2003	T8PLHB	2004	F8MLHC
2003	25MSHB	2003	T8PLRB	2004	F8MSHC
2003	40TLRB	2003	T8PXHB	2004	F9.9ELRC

Yamaha

YAMAHA OUTBOARDS - ALL YEARS & MODELS (2004 cont.-2006)

Year	HP / Model	Year	HP / Model	Year	HP / Model
2004	F9.9MLHC	2005	F25ELHD	2005	Z250TXRD
2004	F9.9MSHC	2005	F25ELRD	2005	Z300TURD
2004	F90TJRC	2005	F25ESHD	2005	Z300TXRD
2004	F90TLRC	2005	F25ESRD	2006	115TLR
2004	LF115TXRC	2005	F25MLHD	2006	115TXR
2004	LF150TXRC	2005	F25MSHD	2006	150TXR
2004	LF200TXRC	2005	F25TLRD	2006	15MSH
2004	LF225TURC	2005	F30TLRD	2006	15PLH
2004	LF225TXRC	2005	F40EJRD	2006	25MSH
2004	LZ150TXRC	2005	F40MJHD	2006	40TLR
2004	LZ200TXRC	2005	F40MLHD	2006	50TLR
2004	LZ250TURC	2005	F40MSHD	2006	60TLR
2004	LZ250TXRC	2005	F40TLRD	2006	70TLR
2004	LZ300TURC	2005	F4MLHD	2006	8MSH
2004	LZ300TXRC	2005	F4MSHD	2006	9.9MSH
2004	SX150TXRC	2005	F50TLRD	2006	90TLR
2004	SX200TXRC	2005	F60TJRD	2006	F115TJR
2004	T25TLRC	2005	F60TLRD	2006	F115TLR
2004	T50TLRC	2005	F6MLHD	2006	F115TXR
2004	T60TLRC	2005	F6MSHD	2006	F150TLR
2004	T8ELHC	2005	F75TLRD	2006	F15ELH
2004	T8EXHC	2005	F8MLHD	2006	F15ESH
2004	T8PLHC	2005	F8MSHD	2006	F15MLH
2004	T8PLRC	2005	F9.9ELR2D	2006	F15MSH
2004	T8PXHC	2005	F9.9ELRD	2006	F15PLR
2004	T8PXRC	2005	F9.9MLH2D	2006	F2.5MSH
2004	T9.9ELRC	2005	F9.9MLHD	2006	F200TXR
2004	T9.9EXHC	2005	F9.9MLHR2D	2006	F225TUR
2004	V150TLRC	2005	F9.9MSH2D	2006	F225TXR
2004	VX150TLRC	2005	F9.9MSHD	2006	F250TUR
2004	VX200TLRC	2005	F90TJRD	2006	F250TXR
2004	VX225TLRC	2005	F90TLRD	2006	F25ELH
2004	VX250TLRC	2005	F90TXRD	2006	F25ELR
2004	VZ150TLRC	2005	FMMLHD	2006	F25ESH
2004	VZ175TLRC	2005	LF115TXRD	2006	F25ESR
2004	VZ200TLRC	2005	LF150TXRD	2006	F25MLH
2004	VZ225TLRC	2005	LF200TXRD	2006	F25MSH
2004	VZ250TLRC	2005	LF225TURD	2006	F25TLR
2004	VZ300TLRC	2005	LF225TXRD	2006	F30MSH
2004	Z150TLRC	2005	LZ150TXRD	2006	F30TLR
2004	Z175TXRC	2005	LZ200TXRD	2006	F40EJR
2004	Z200TXRC	2005	LZ250TURD	2006	F40MJH
2004	Z250TURC	2005	LZ250TXRD	2006	F40MLH
2004	Z250TXRC	2005	LZ300TURD	2006	F40TLR
2004	Z300TURC	2005	LZ300TXRD	2006	F4MLH
2004	Z300TXRC	2005	SX200TXRD	2006	F4MSH
2005	115TLRD	2005	T25TLRD	2006	F50TLR
2005	115TXRD	2005	T50TLRD	2006	F60TJR
2005	150TXRD	2005	T60TLRD	2006	F60TLR
2005	15MHSD	2005	T8ELHD	2006	F6MLH
2005	25MSHD	2005	T8EXHD	2006	F6MSH
2005	40TLRD	2005	T8PLHD	2006	F75TLR
2005	50TLRD	2005	T8PLRD	2006	F8MLH
2005	60TLRD	2005	T8PXHD	2006	F8MSH
2005	70TLRD	2005	T8PXRD	2006	F9.9ELR
2005	8MSHD	2005	T9.9ELH2D	2006	F9.9ELR2
2005	9.9MHSD	2005	T9.9ELHD	2006	F9.9MLH
2005	90TLRD	2005	T9.9ELR2D	2006	F9.9MLH2
2005	DX150TLRD	2005	T9.9ELRD	2006	F9.9MSH
2005	F115TJRD	2005	T9.9EXH2D	2006	F9.9MSH2
2005	F115TLRD	2005	T9.9EXHD	2006	F90TJR
2005	F115TXRD	2005	V150TLRD	2006	F90TLR
2005	F150TLRD	2005	VX200TLRD	2006	F90TXR
2005	F150TXRD	2005	VZ150TLRD	2006	LF115TXR
2005	F15ELHD	2005	VZ175TLRD	2006	LF150TXR
2005	F15ESHD	2005	VZ200TLRD	2006	LF200TXR
2005	F15MLHD	2005	VZ225TLRD	2006	LF225TUR
2005	F15MSHD	2005	VZ250TLRD	2006	LF225TXR
2005	F15PLHD	2005	VZ300TLRD	2006	LF250TUR
2005	F15PLRD	2005	Z150TXRD	2006	LF250TXR
2005	F2.5MSHD	2005	Z175TXRD	2006	LZ150TXR
2005	F200TXRD	2005	Z200TLRD	2006	LZ200TXR
2005	F225TURD	2005	Z200TXRD	2006	LZ250TXR
2005	F225TXRD	2005	Z250TURD	2006	LZ300TRU

Limited Warranty of GLM Products, Inc.

1. This product of GLM Products, Inc. (“GLM”) is warranted to be free from defects in material and workmanship for a period of two years from the date of purchase for aluminum elbow/manifold and all other GLM parts and accessories, three years from the date of purchase for cast iron elbow/manifold. Products used for commercial, rental, or income producing activity are warranted for a period of ninety (90) days. Only a person who has proof of purchase of the GLM product will receive warranty service.
2. GLM does not warrant or make any representations in respect to installation errors made by a servicing dealer, servicing mechanic, or the individual. This warranty applies to defects in material and workmanship only, it does not apply to the following: alteration, removal of parts, adjustments, tune-ups, normal wear, damages due to accident, improper installation or service, misuse, neglect, lack of maintenance, use of any accessory or part not manufactured or sold by GLM, operation with fuels, oils, or lubricants which are not suitable for use with the product, water entering engine cylinder through exhaust system or carburetor, participation in or preparing for racing or other competitive activity or operating with a racing type lower unit. GLM’s liability under this warranty shall be terminated on any part damaged by flood, fire, storm, or other natural acts or where the model number and other identification has been altered, defaced or removed.
3. GLM will not be liable for any labor charges and incidental, consequential (such as loss of business), special or indirect damages resulting from the product or caused by the defect or reasonable delay in correcting the defect are not covered under the warranty.
4. GLM reserves the right to inspect and determine whether or not any part has failed due to a defect in material or workmanship. **Do not disassemble any parts including drive units that have been assembled by GLM. GLM’s obligation shall be limited to repairing, replacing or crediting the product determined to be defective, at GLM’s sole discretion:** GLM reserves the right to credit refund your purchase price for the product rather than repair or replace the product, or any part thereof. Any part is covered only for the original warranty period. Once the warranty on the product has expired, the warranty on any replaced or repaired part also expires. GLM shall be allowed to keep parts it deems defective under this warranty.
5. **ALL WARRANTIES BY AND FROM GLM, EXPRESS OR IMPLIED, INCLUDING WITHOUT LIMITATION IMPLIED WARRANTIES OF MERCHANTABILITY AND FITNESS FOR A PARTICULAR PURPOSE, ARE LIMITED IN DURATION TO THE DURATION OF THIS WARRANTY FOR THE PRODUCT INVOLVED. GLM DOES NOT WARRANT, GUARANTEE OR MAKE ANY REPRESENTATIONS REGARDING THE USE OR THE RESULTS OF THE USE OF THE PRODUCT IN TERMS OF ITS CORRECTNESS, RELIABILITY OR OTHERWISE. THE ENTIRE RISK AS TO THE RESULT AND PERFORMANCE OF THE PRODUCT IS ASSUMED BY YOU. IN NO EVENT WILL GLM, OR ITS RESPECTIVE DIRECTORS, OFFICERS, EMPLOYEES OR AGENTS (COLLECTIVELY, “GLM”) BE LIABLE TO YOU FOR ANY CONSEQUENTIAL, INCIDENTAL, SPECIAL OR INDIRECT DAMAGES (INCLUDING DAMAGES FOR LOSS OF BUSINESS PROFITS, BUSINESS INTERRUPTION, LOSS OF BUSINESS INFORMATION AND THE LIKE) ARISING OUT OF THE USE OR INABILITY TO USE THE PRODUCT.** GLM’s liability to you for actual damages from any cause whatsoever, and regardless of the form of the action (whether in contract, tort (including negligence), product liability or otherwise), will be limited to the purchase price paid for the product. No GLM dealer, agent or employee is authorized to make any modification or extension to this warranty. Because some states do not allow the exclusion of implied warranties and/or the exclusion or limitation of liability for consequential or incidental damages, the above limitations may not apply to you. This warranty gives you specific legal rights, and you may have other rights which vary from state to state.
6. You are required to notify GLM of any defect within the applicable warranty period and immediately obtain from GLM or its distributor a warranty application and a GLM RGA number. Upon GLM’s receipt of the completed warranty application and part claimed under this warranty (with the GLM RGA number marked on the shipping and packaging of the part), GLM will inspect the part for warranty coverage. Only when the defect is covered by the warranty will the part be repaired or replaced, at GLM’s sole option. If warranty service is required, you must deliver your product, at your expense, with proof-of-purchase (including original purchase invoice and invoice for installation of warranted part) to GLM for repair. Service is provided by GLM at its corporate headquarters at 705 Los Angeles Avenue, Monrovia, California 91016, Tel: (626) 357-0077, Fax: (626) 357-0600. When repair is completed, GLM will ship back to its indicated address. Shipping methods will be determined by GLM.
7. This warranty comprises the sole and entire warranty pertaining to the product furnished to you by GLM, and GLM makes no other warranty, guarantee or representation of any kind whatsoever pertaining to the product. Any other representations, or promises by any person are unauthorized and are not binding upon GLM unless in writing.



Warranty Service Procedure

1. GLM will directly and promptly approve and honor legitimate warranty claims on product only under the condition that the claim is made through a servicing Dealer. ****Do not disassemble any parts including drive units that have been assembled by GLM.****
2. GLM will credit or reimburse the Dealer for qualified warranty claims submitted that comply to GLM identified warranty policies.

ANY CLAIM UNDER GLM'S WARRANTY (Please see Limited Warranty of GLM Products) SHALL BE IN WRITING TO GLM PRODUCTS, INC. WITHIN THE WARRANTY PERIOD. TO ASSURE FAST AND EFFICIENT SERVICE PLEASE SHIP ALL WARRANTY PART(S) AND DOCUMENTATION DIRECTLY TO GLM. ALL WARRANTY CLAIM PRODUCTS MUST BE SHIPPED FREIGHT PREPAID TO GLM FOR WARRANTY INSPECTION. (FREIGHT CHARGES WILL BE REIMBURSED ONLY UPON APPROVAL ON WARRANTY)

1. All returns must have a GLM "RGA #" assigned (contact GLM directly for the "Return Goods Authorization #"). It is imperative to indicate this number on outside of all boxes and included on all submitted documentation. No returns will be accepted without an RGA #.
2. All returns must accompany a copy of the completed warranty application. (Application is available at www.glmmarine.com, in the back of each GLM's catalog or through your GLM distributor.)
3. **ALL** parts involved in the claim.
4. Copy of invoices as follows:
 - Original purchase invoice from distributor.
 - Original invoice for installation of warranted parts.
 - Proposed invoice/ work-order to GLM, if any, for warranty claim.NOTE: GLM complies with OEM standard flat hours and rates.
Copies of all invoices for items in above proposed invoice.

Send parcel(s) to:

GLM Products, Inc. - Warranty
705 Los Angeles Avenue
Monrovia, CA 91016
RGA#



GLM Products, Inc. Warranty Claim Application

Note: Please fill out all information and send all requested material. Failure to complete this form and supply all requested material will delay your claim. Do not disassemble units that were assembled by GLM. Other applications that used only GLM parts should have just the parts returned to GLM not the complete unit.

RGA # _____ Contact GLM at 626/357-0077 for a Returned Goods Authorization #. All returned goods **must** have an RGA # marked on package (s) or they will be refused. No exceptions. **Ship to: GLM Products, Inc.**
Date Called: _____
Caller Name: _____ **705 Los Angeles Avenue**
Company Name: _____ **Monrovia, CA 91016**

Distributor Information:
Company: _____ Contact: _____ City: _____ State: _____

Dealer Information:
Company: _____ Address: _____ City: _____
State: _____ Zip: _____ Tel: _____ Fax: _____ Contact: _____

Dealer Customer Information:
Name: _____ Address: _____ City: _____
State: _____ Zip: _____ Tel: _____ Fax: _____

Application Details:
Manufacturer: _____ Model: _____ Year: _____
Length: _____ Beam: _____ Engine / Drive: _____ Horse Power: _____

List any modifications to boat or drive system that were not installed by the original manufacturer:

Details of Return: Please list all item (s) being returned and describe detailed reason for warranty claim.

If you need more space for this description please continue on a blank sheet of paper.

Documentation and other items required to process warranty: Please make sure that all items listed are sent with this application. Failure to do so will delay processing this claim.

1. All parts claimed and listed on this application. This is **all parts** being claimed regardless of manufacturer.
2. Copy of invoices as follows:
 - A. Original purchase invoice from Distributor.
 - B. Proposed invoice to GLM from the Dealer for repairs.
 - C. Invoice for installation of warranted parts.
 - D. Invoices for any other items being claimed

Note: GLM reserves the right to credit the Dealer, via the Distributor, for all GLM products involved in this claim.





Superior Marine Manifolds

MerCruiser V6



100% Complete
Conversion Kits

Gaskets & Hardware
Included

MerCruiser GM V6
MerCruiser GM V8 S.B.
MerCruiser GM V8 B.B.
OMC / Volvo Ford V8 (Carb.)
OMC / Volvo Ford V8 (EFI)
Volvo GM V6 th 1993
OMC / Volvo GM V6
OMC / Volvo GM V8 S.B.
Volvo GM V8 to 1991
OMC / Volvo GM V8 S.B.



100% Complete
Manifold Sets

Gaskets & Hardware
Included

4-Cylinder thru V8 B.B.
Manifolds



MerCruiser
OMC
Volvo Penta
Marine Power
Indmar
Barr

Gaskets Included

Dry Joint Alternative
Manifold-Elbow Set

MerCruiser V6



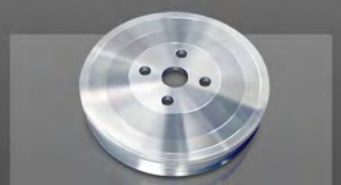
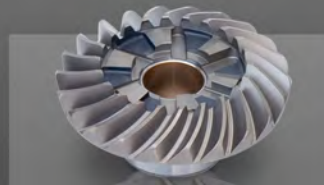
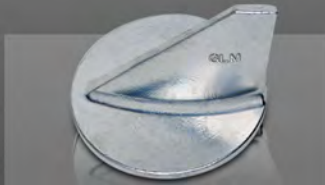
MerCruiser V8



Gaskets & Hardware
Included

and much more!

Over 4,000 Aftermarket Marine Parts



www.glmmarine.com



www.glmmarine.com

For Current Catalogs & Updates

On-line Catalog Series - Mobile - Tablet - Desktop



Master
(Print Version)



Manifolds



Mercruiser



Mercury/Mariner/Force



OMC/Volvo Penta



Johnson/Evinrude



Yamaha



Anodes



Digital Version:
GYA18V8

GLM Products, Inc.
705 Los Angeles Ave., Monrovia, CA 91016
Tel (626) 357-0077, Fax (626) 357-0600
info@glmmarine.com