



Manifold Catalog



GLM Products, Inc. is committed to producing the highest quality and cost efficient aftermarket marine products in the industry. At GLM, we use only the highest quality materials and most advanced technology for our product line, enabling us to produce the most reliable and compatible products for the marine aftermarket parts industry.

GLM offers an exciting line of exceptional products, which are brand new from factory and compatible and interchangeable with OEM application. Our in-house design and engineering teams enable us to make improvements on original OEM materials and designs. At GLM, we strive to include all new advancements, improvements, and superior materials with the ever-changing world of technology.

Consider the many additions to GLM's line over the past several years. No other aftermarket manufacturer can compare with our variety of products being offered that GLM has developed and re-designed. When you invest in a GLM product, you can be assured that you are receiving the highest quality aftermarket marine part available. GLM's innovation and exclusive aftermarket products keep us the only source for all your boat repair or maintenance needs.

At GLM Products, Inc. we deliver the highest quality and most complete line of over 4,000 aftermarket marine parts sold worldwide. At GLM, we are...

...the Leader of the Aftermarket Marine Parts Industry!



Contents of this catalog are copyrighted. Reproduction of any or all of its contents is prohibited. We have prepared this catalog to provide you with information that is helpful and accurate as possible. Although care has been taken to assure the accuracy of the data presented in this catalog, GLM Products, Inc. does not assume any liability for errors or omissions. All illustrations, photos, etc. used in this catalog are intended as representative views for reference only. MerCruiser and Mercury/Mariner/Force are registered trademarks of the Brunswick Corporation; OMC Cobra and OMC Stringer are registered trademarks of Outboard Marine Corporation; Volvo Penta is a registered trademark of AB Volvo; Johnson/Evinrude are registered trademarks of Bombardier Motor Corporation of America; Yamaha is a registered trademark of Yamaha Motor Company, U.S.A.; GLM is a registered trademark of GLM Products, Inc. Copyright © 2018.

TABLE OF CONTENTS

GLM COMPLETE MANIFOLD LINE

MERCURISER

Exploded Views, Gaskets & Components Section 1

Mercuriser - Inline 4, 181 CID (1990 & Up)	6-7
Mercuriser - Inline 4, 153/181 CID (1982-95)	8-9
Mercuriser - Inline 4, 181 CID (1968-82)	10-11
Mercuriser - Inline 4, 224 CID (1980-89)	12-13
Mercuriser - Inline 4, 224 CID (1976-82)	14-15
Mercuriser - V6 & V8 S.B. Manifold Dimensions	16
Mercuriser - V6/V8 S.B. Dry Joint & V8 B.B. Manifold Dimensions ..	17
Mercuriser - V6, 229/262 CID (1983 up to 0M SN#'s)	18-19
Mercuriser - V6, 229/262 CID Combinations	20
Mercuriser - V6 Complete Manifold & Conversion Kits	21
Mercuriser - V6 & V8 S.B. Dry Joint Alternative	22-23
Mercuriser - V8 S.B., 305/350/377 CID (1983 up to 0M SN#'s) .	24-25
Mercuriser - V8 S.B., 305/350 CID (1977-82)	26-27
Mercuriser - V8 S.B., 305/350/377 CID Combinations	28
Mercuriser - V8 S.B. Complete Manifold & Conversion Kits..	29
Mercuriser - V8 B.B., 454/502 CID (1981 & Up)	30-31
Mercuriser - V8 B.B., 454/502 CID Combinations	32
Mercuriser - V8 B.B. Complete Exhaust Manifold Sets	33
Mercuriser - Exhaust Flapper Valves, Shutters & Bellows	34
Mercuriser - Spacer Kits & Spacers	35
Mercuriser - Exhaust Gasket Sets	36
Mercuriser - Manifold Mounting Kits, Gaskets & Adapter Plate	37
Mercuriser - Exhaust Elbow Mounting Kits	38
Mercuriser - Exhaust Elbow Gaskets & End Cap Gaskets ...	39
Mercuriser - GLM Manifold Applications	40-43
Mercuriser - GLM V8 S.B. Exhaust System Evaluation	44-45
Mercuriser -GLM V8 B.B. Exhaust System Evaluation	46

OMC

Exploded Views, Gaskets & Components Section 2

OMC - 4-Cyl., 181 CID (1991 & Up)	48
OMC - 4-Cyl., 181 CID (1973-90)	49
OMC - V6, 262 CID (1986 & Up)	50
OMC - V8 S.B., GM 350 CID (1989 & Up)	51
OMC - V8 S.B., 305/350 CID (1979-89)	52
OMC - V8 B.B., 454/502 CID (1991 & Up)	53
OMC - V8 S.B. Conversion Kit FORD 302/351 CID	54
OMC - V8 S.B. - FORD, 302/351 CID (1991 & Up)	55
OMC - V6 & V8 S.B. Exhaust Manifold Dimensions	56
OMC - V8 S.B. & V8 B.B. Exhaust Manifold Dimensions	57
OMC - Complete Exhaust Manifold & Hi-Rise Elbow Kits	58
OMC - Conversion Kits & Ex. Mani Gasket/Hardware Kits ...	59
OMC - Exhaust Flapper Valves, Exhaust Bellows/Hoses	60

VOLVO PENTA

Exploded Views, Gaskets & Components Section 3

Volvo Penta - 4-Cylinder, 181 CID (1994 & Up)	62
Volvo Penta - V6, AQ 175-434 (1993-Before)	63
Volvo Penta - V6, 262 CID (1994 & Up)	64
Volvo Penta - V8 S.B., 305/350 CID (1994 & Up)	65
Volvo Penta - V8 S.B., 305/350 CID (1993 & Before)	66
Volvo Pent - V8 S.B. FORD 302/351 CID (1994 & Up)	67
Volvo Penta - V8 B.B., 454/502 CID (1994 & Up)	68
Volvo Penta - V6 & V8 S.B. Exhaust Manifold Dimensions	69
Volvo Penta - V8 S.B. & V8 B.B. Exhaust Manifold Dimensions	70
Volvo Penta - Complete Ex. Manifold Kits & Hi-Rise Kits	71
Volvo Penta - Exhaust Manifold Gasket & Hardware Kits	72
Volvo Penta - Exhaust Bellows & Exhaust Flapper Valves	72

BARR / INDMAR / MARINE POWER

Exploded Views, Gaskets & Components Section 4

BR / IN / MP - V8 S.B., 305/350 CID	74
BR / IN / MP - V8 B.B., 454/502 CID	75
BR / IN / MP - V8 FORD 302/351 CID	76
BR / IN / MP - V8 FORD - Exhaust Manifold Dimensions	77
BR / IN / MP - V8 FORD - Complete Exhaust Manifold Kits ..	78
BR / IN / MP - Exhaust Manifold Gasket/Hardware Klts	79

WARRANTY

Notes	81
Warranty	82-84





Maximum Manifold Features

FULLY TUNED

Increase Performance, Reduce Back Pressure and Add More Horsepower to your Engine!

& PROTECTED

Cast Iron Manifolds are Black Painted for Corrosion Resistance!



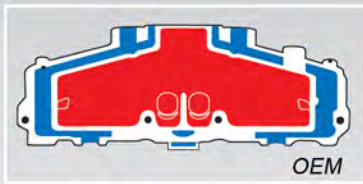
Elbows / Risers



In the Merc. 4" riser, there are 2 extra exits at each side. This allows water to exit more efficiently, keeping engine cooler.



Small Block

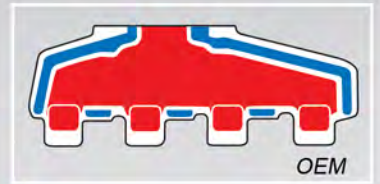


OEM



Our fully tuned design guides exhaust gases directly to riser without turbulence and back pressure. This increases the engines performance up to 10%. In the meantime, an additional 40% water cooling area will decrease the entire manifold body temperature significantly.

Big Block

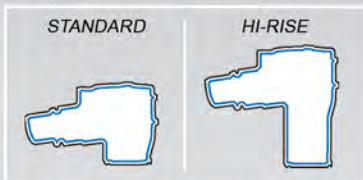


OEM



Our fully tuned design will reduce turbulence and enhance flow for added performance. An extra 30% water cooling area will help reduce temperature in the exhaust exit area allowing for longer gasket life.

Hi-Rise Elbows



STANDARD

HI-RISE

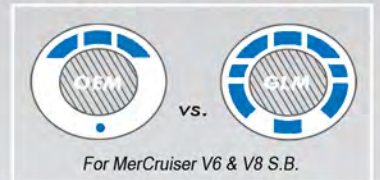
Single-Piece Hi-Rise Approx. 11.3" High

Complete Sets for OMC & Volvo Penta GM V6, V8sb, V8bb & FORD V8sb

GLM Manifold Sets with Hi-Rise Elbows come with all the gaskets & hardware needed. GLM is your Best Choice for Aftermarket Manifolds!

Dry Joint Alternative

Manifold + Elbow Sets



For MerCruiser V6 & V8 S.B.

Additional Water Ports
Elimination of Exterior Water Cooling System

For just over the cost of 1 dry joint elbow, you can purchase GLM's manifold + elbow set and **replace both pieces**, eliminating your costly dry joint exhaust system!

GLM Products, Inc., 705 Los Angeles Avenue, Monrovia, CA 91016 USA, TEL (626) 357-0077, FAX (626) 357-0600, info@glmmarine.com

www.glmmarine.com

Section 1

Mercruiser **Exploded Views, Gaskets & Components**

<i>Inline 4 - 181 CID (1990 & Up)</i>	6-7
<i>Inline 4 - 153/181 CID (1982-95)</i>	8-9
<i>Inline 4 - 181 CID (1968-82)</i>	10-11
<i>Inline 4 - 244 CID (1980-89)</i>	12-13
<i>Inline 4 - 224 CID (1976-82)</i>	14-15
<i>V6 & V8 S.B. Exhaust Manifold Dimensions</i>	16
<i>V6 / V8 S.B. Dry Joint & V8 B.B. Exhaust Manifold Dimensions</i> ..	17
<i>V6 - 229/262 CID (1983 up to 0M SN#'s)</i>	18-19
<i>V6 - 229/262 CID (1983 up to 0M SN#'s) Combinations</i>	20
<i>V6 - Complete Manifold & Conversion Kits</i>	21
<i>V6 & V8 S.B. Dry Joint Replacement (0M SN#'s & Up)</i>	22-23
<i>V8 - 305/350/377 CID (1983 up to 0M SN#'s)</i>	24-25
<i>V8 S.B. - 305/350 CID (1977-82)</i>	26-27
<i>V8 - 305/350/377 CID Combinations (1983 up to 0M SN#'s)</i>	28
<i>V8 S.B. - Complete Manifold & Conversion Kits</i>	29
<i>V8 B.B - 454/502 CID (1981 & Up)</i>	30-31
<i>V8 B.B - 454/502 CID Combinations (1981 & Up)</i>	32
<i>V8 B.B. - Complete Exhaust Manifold Sets</i>	33
<i>Exhaust Flapper Valves, Water Shutters & Exhaust Bellows</i>	34
<i>Spacer Kits & Spacers</i>	35
<i>Exhaust Gasket Sets</i>	36
<i>Exhaust Manifold Mounting Kits, Gaskets & Adapter Plate</i>	37
<i>Exhaust Elbow Mounting Kits</i>	38
<i>Exhaust Elbow Mounting Gaskets & End Cap Gaskets</i>	39
<i>GLM Manifold Applications for Mercruiser</i>	40-43
<i>GLM V8 S.B. Exhaust System Evaluation</i>	44-45
<i>GLM V8 B.B. Exhaust System Evaluation</i>	46

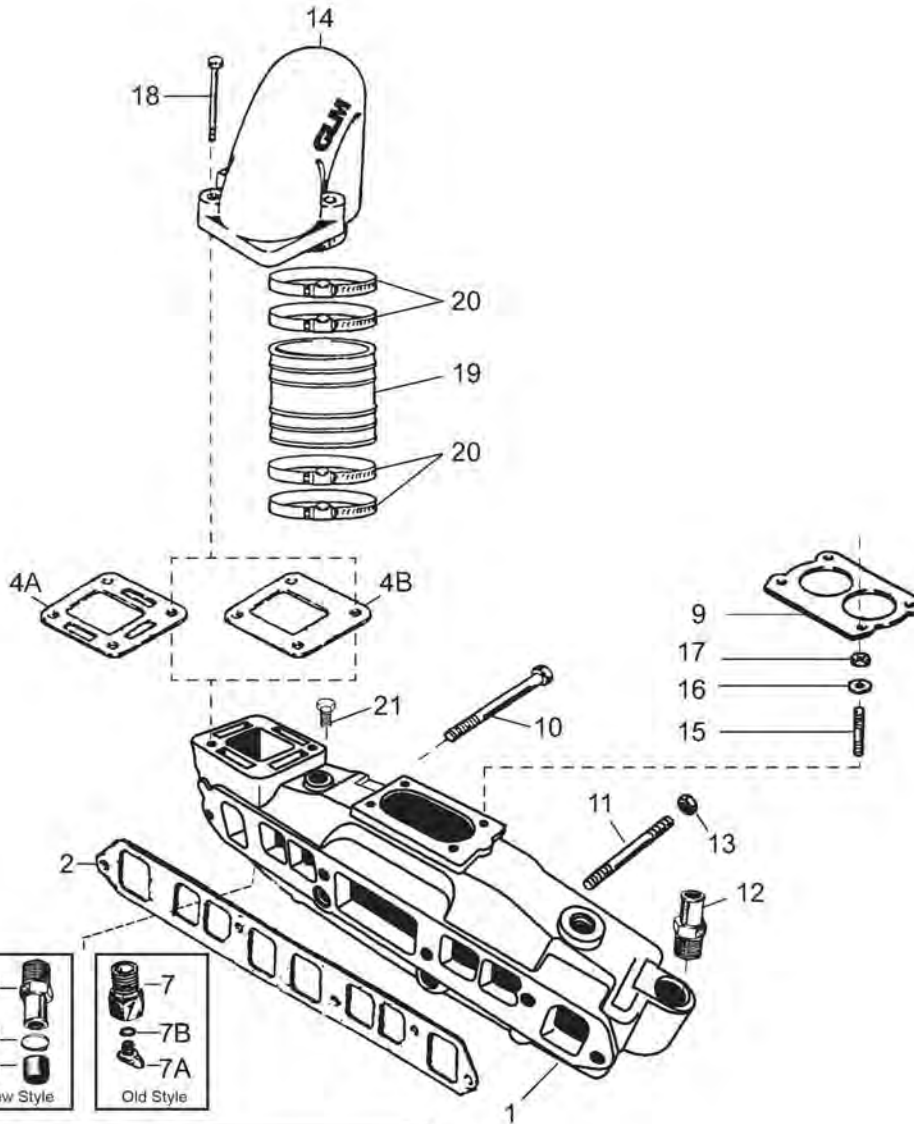
MerCruiser

MODEL 120/140 - INLINE 4, 153/181 CID, 4-CYL. (1982-95)
MODEL 3.0LX/3.0L - INLINE 4, GM 181 CID, 4-CYL. (1990 & AFTER)

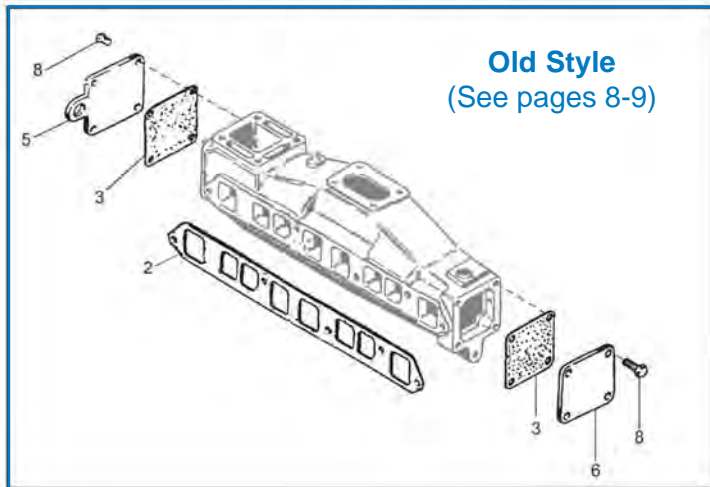
Manifold Set
 No. 58214

NEW

24

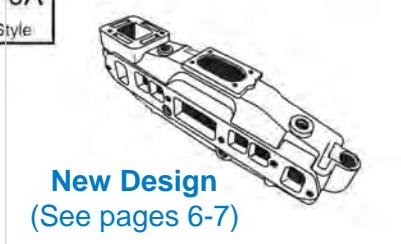
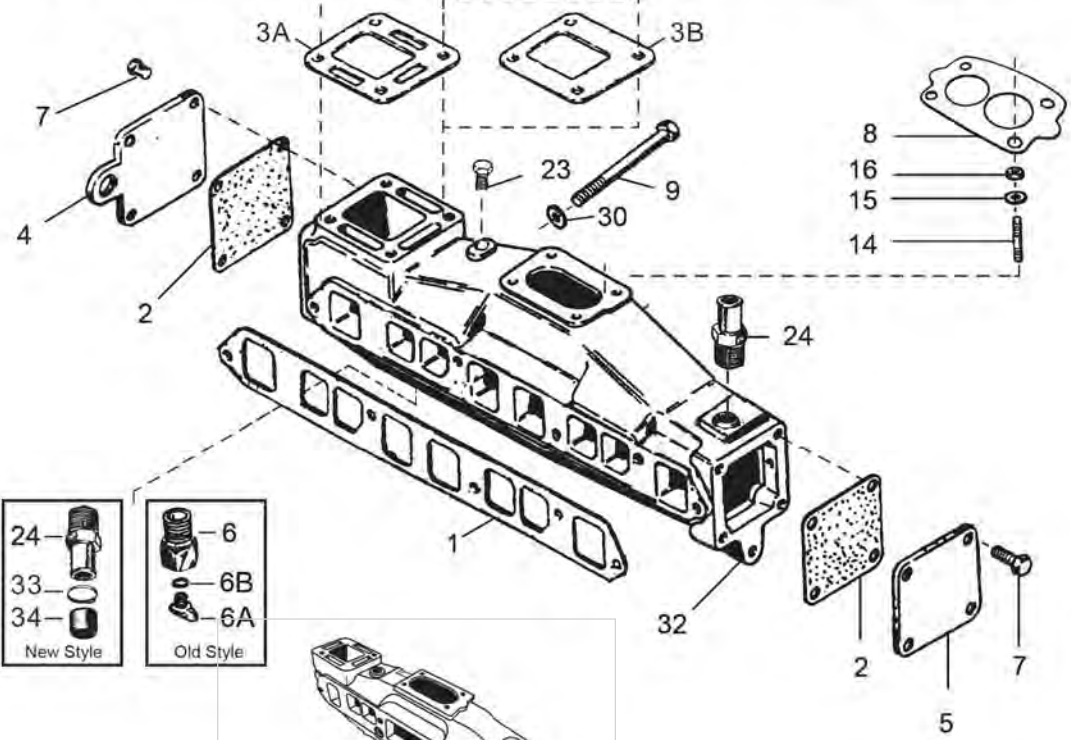
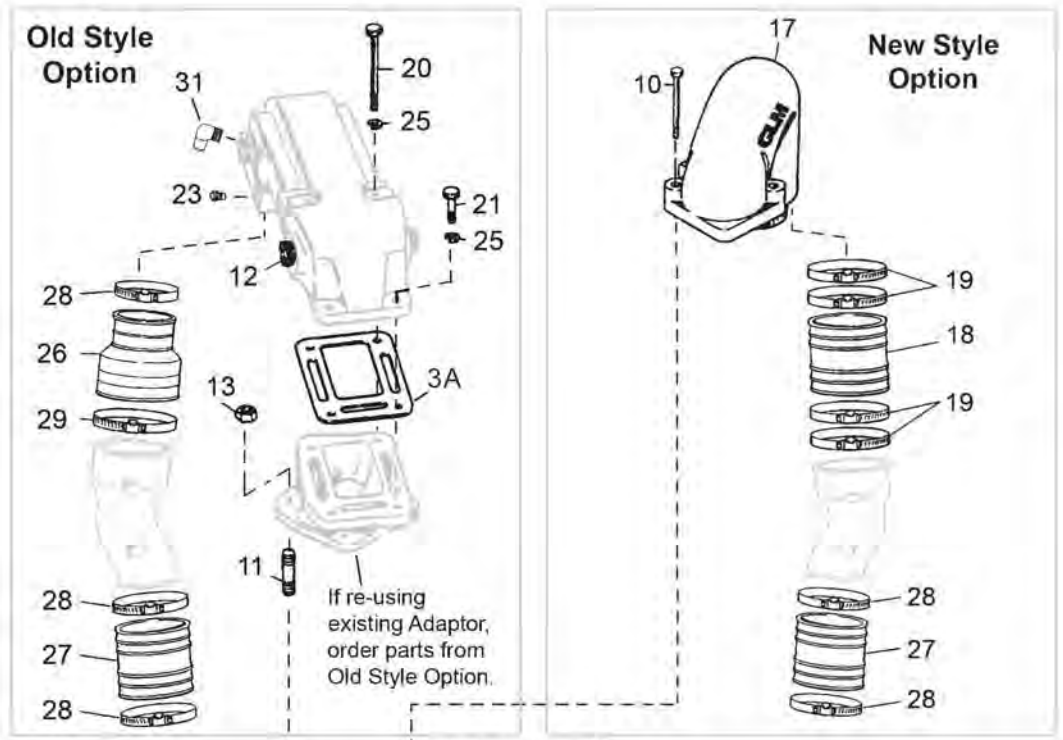


New Design



MerCruiser

MODEL 120/140 - INLINE 4, 153/181 CID, 4-CYL. (1982-95)

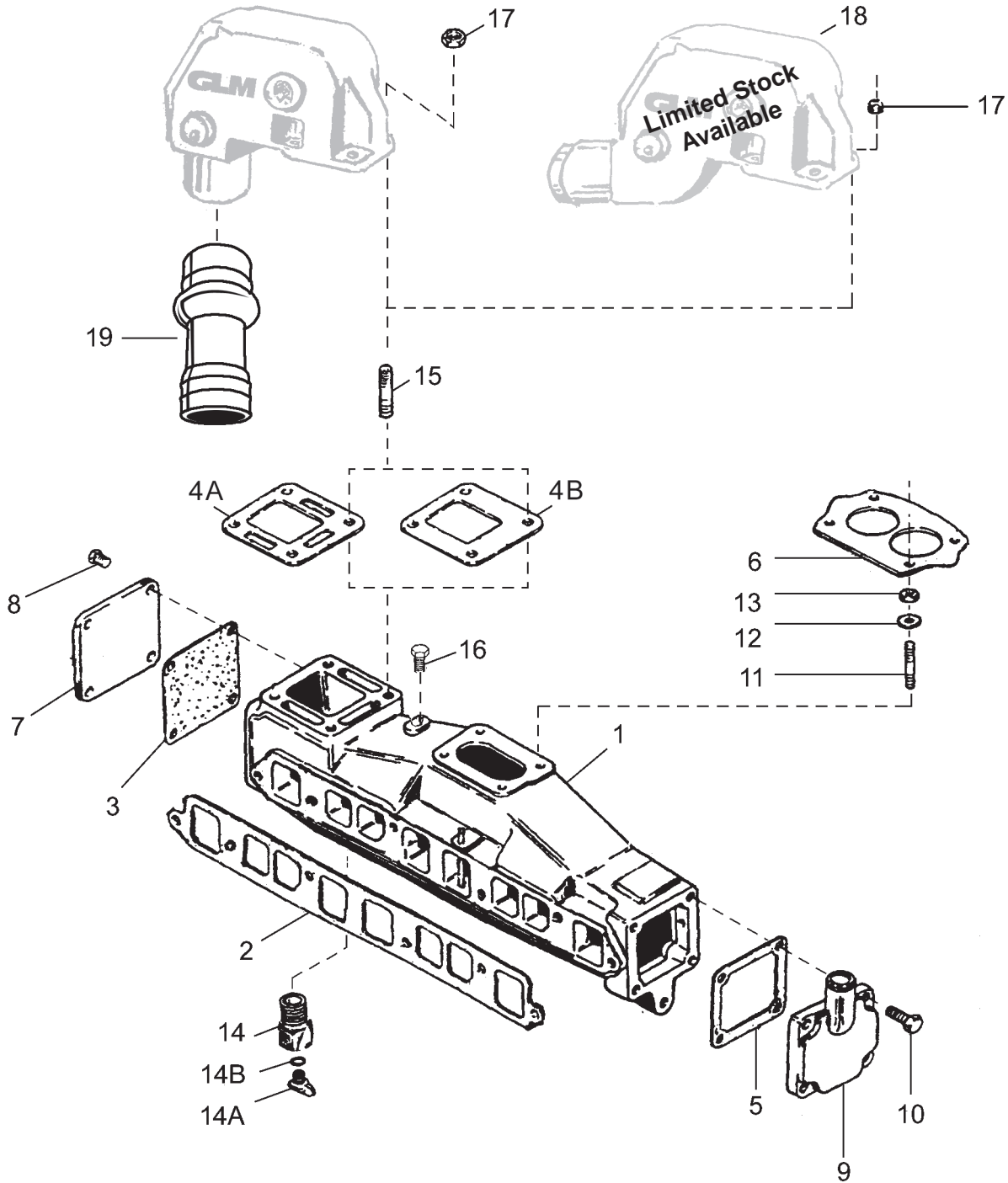


New Design
(See pages 6-7)



MerCruiser

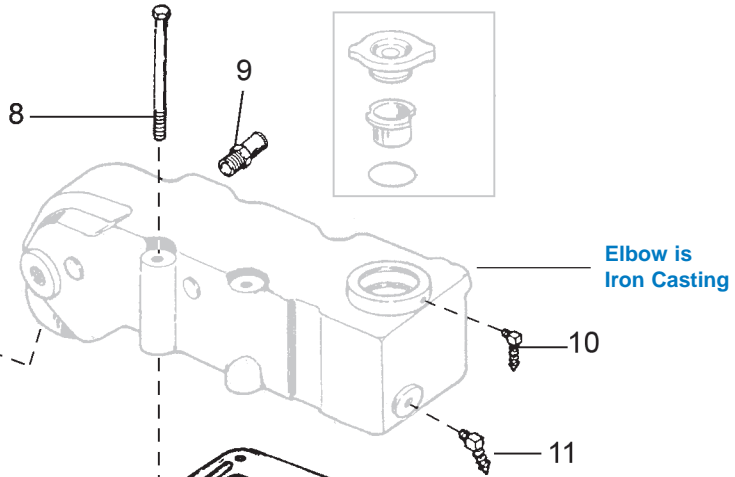
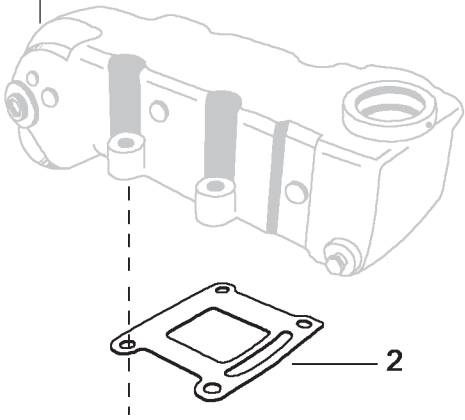
MODEL 140 - INLINE 4, GM 181 CID, 4-CYL. (1968-82)



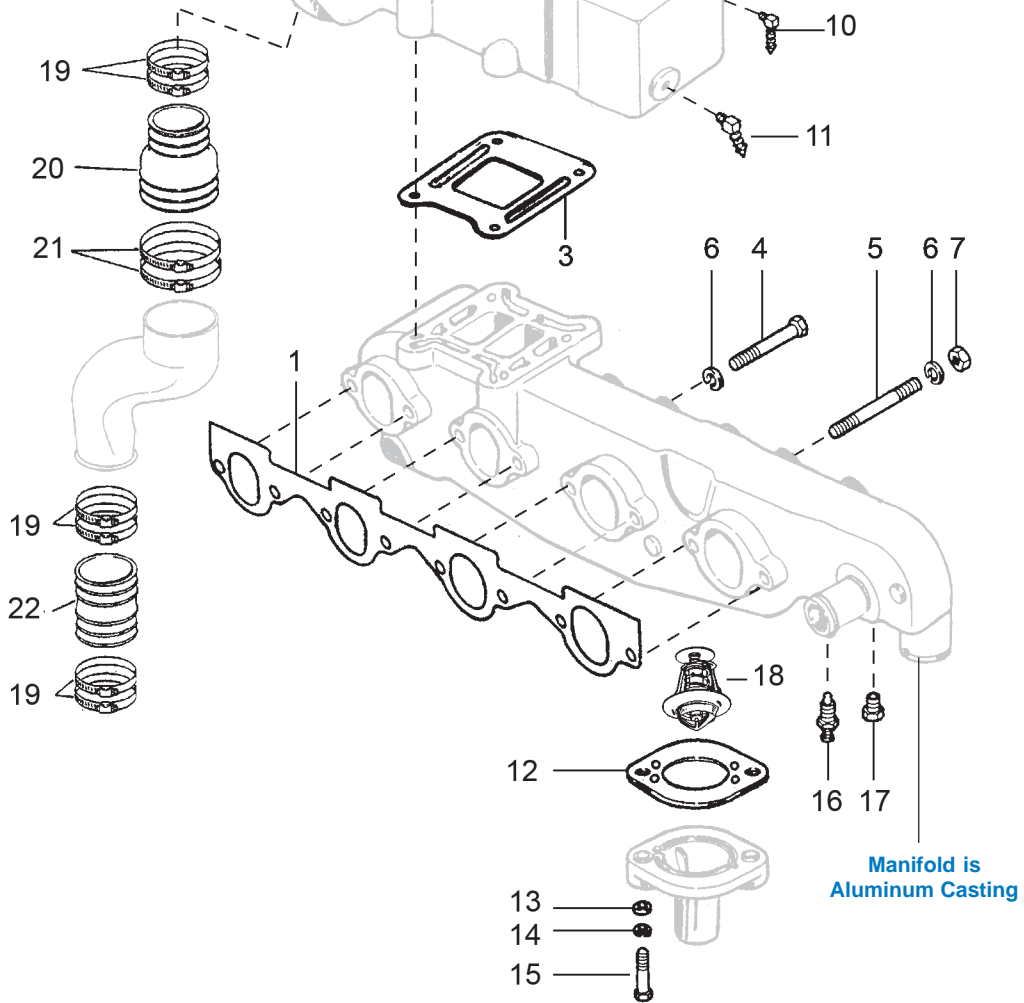
MerCruiser

MODEL 165/170/3.7L/180/190/3.7LX/470 MCM/485/488 - INLINE 4, 224 CID, 4-CYL. (1980-89)

Elbow is
Iron Casting



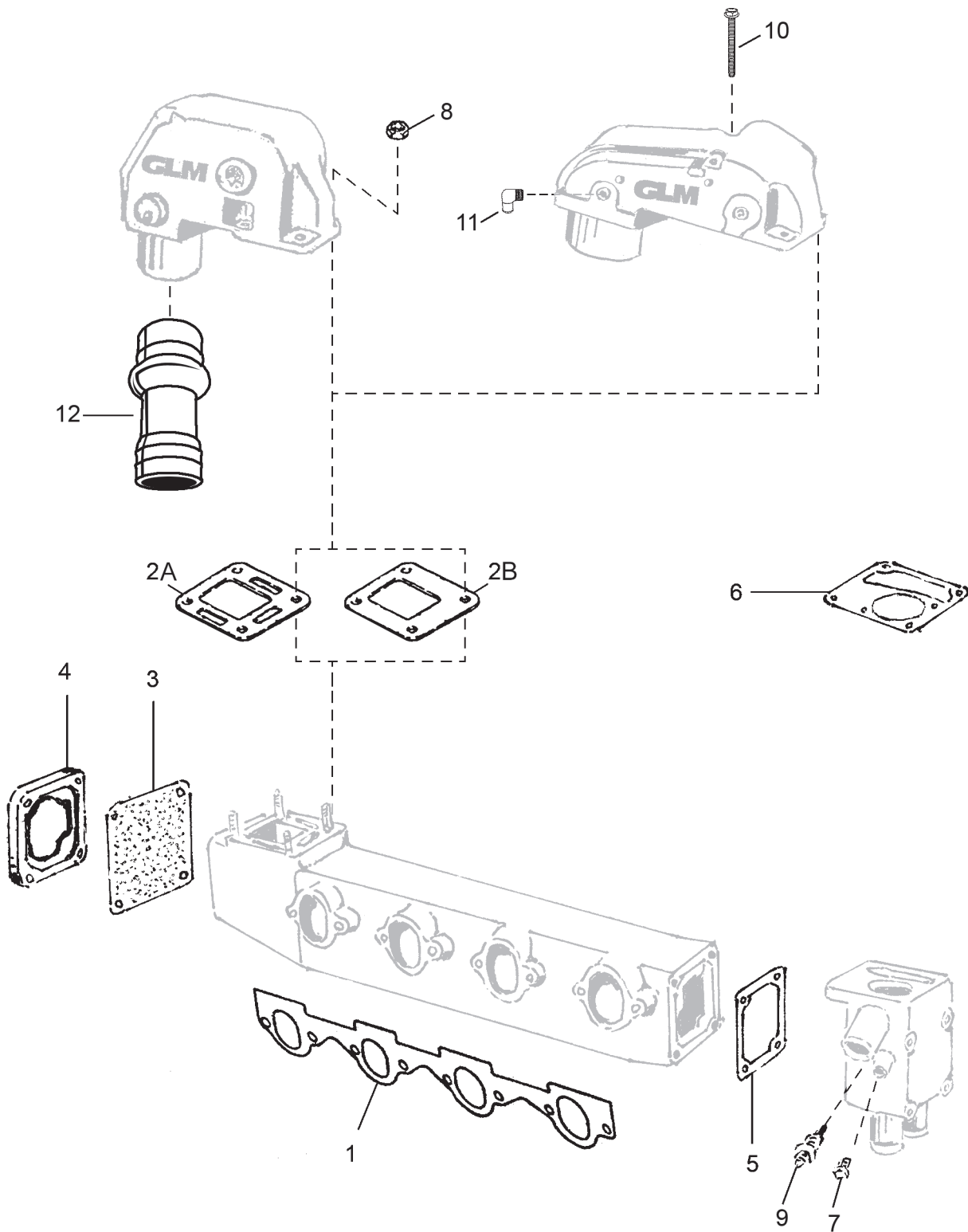
Elbow is
Iron Casting



Manifold is
Aluminum Casting

MerCruiser

MODEL MCM/MIE 470 - INLINE 4, 224 CID, 4-CYL. (1976-82)



MerCruiser

V6 & V8 S.B. EXHAUST MANIFOLD DIMENSIONS

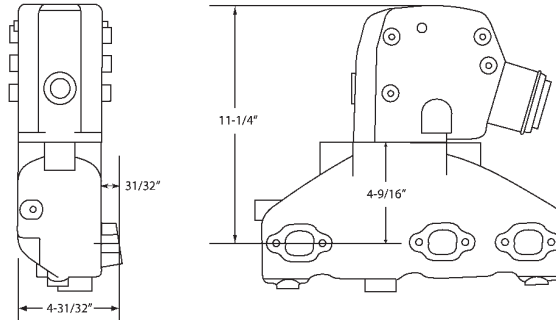
V6 w/ 3" Riser (1983 - 0M SN #'s)

No. 51110

EXHAUST ELBOW
OEM: 98504A3

No. 51220

EXHAUST MANIFOLD
OEM: 99746A17



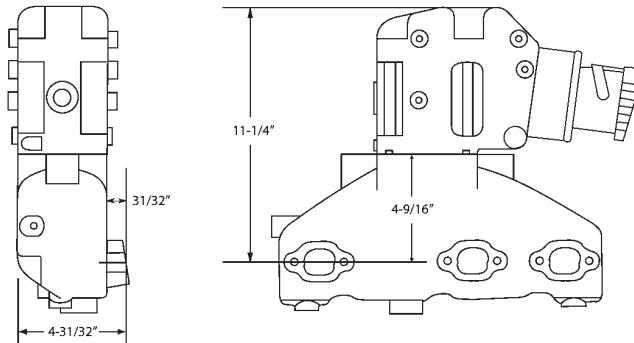
V6 w/ 4" Riser (1983 - 0M SN #'s)

No. 51140

EXHAUST ELBOW
OEM: 807988Q03

No. 51220

EXHAUST MANIFOLD
OEM: 99746A17



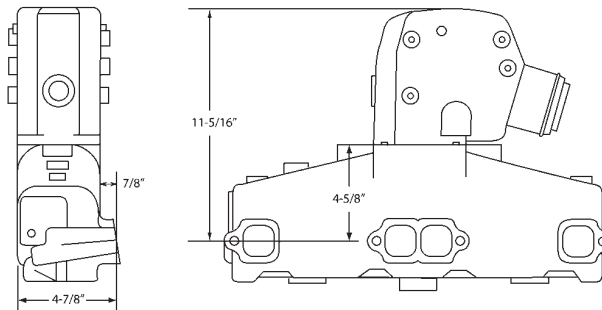
V8 S.B. w/ 3" Riser (1983 - 0M SN #'s)

No. 51110

EXHAUST ELBOW
OEM: 98504A3

No. 51230

EXHAUST MANIFOLD
OEM: 860246A10



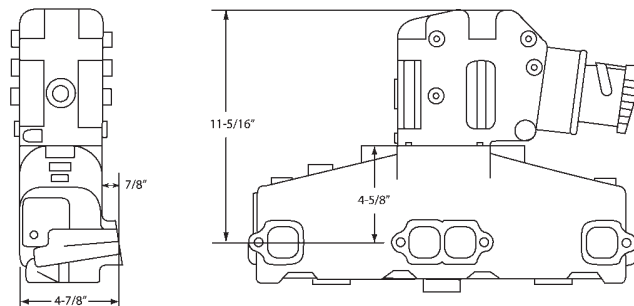
V8 S.B. w/ 4" Riser (1983 - 0M SN #'s)

No. 51140

EXHAUST ELBOW
OEM: 807988Q03

No. 51230

EXHAUST MANIFOLD
OEM: 860246A10



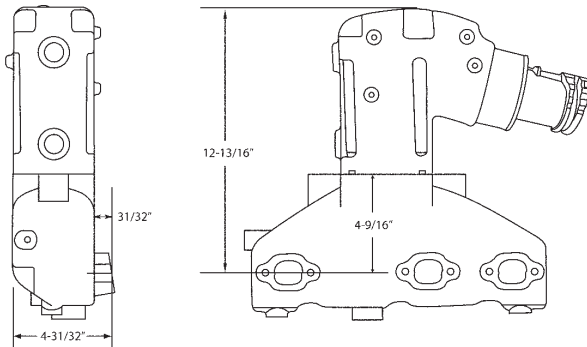
MerCruiser

V6 / V8 S.B. DRY JOINT & V8 B.B. EXHAUST MANIFOLD DIMENSIONS

V6 Dry Joint Alternative (0M SN #'s & Up)

No. 51148
EXHAUST ELBOW
OEM: N/A

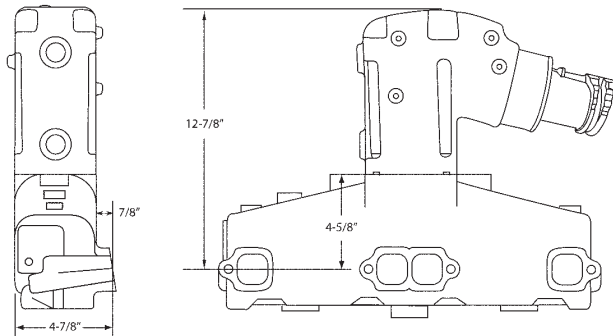
No. 51220
EXHAUST MANIFOLD
OEM: 99746A17



V8 S.B. Dry Joint Alternative (0M SN #'s & Up)

No. 51148
EXHAUST ELBOW
OEM: N/A

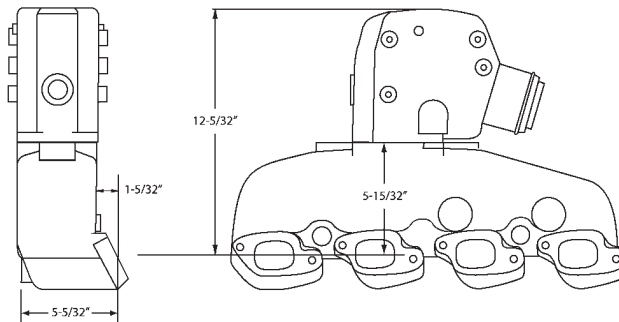
No. 51230
EXHAUST MANIFOLD
OEM: 860246A10



V8 B.B. w/ 3" Riser (1981 & Up)

No. 51110
EXHAUST ELBOW
OEM: 98504A3

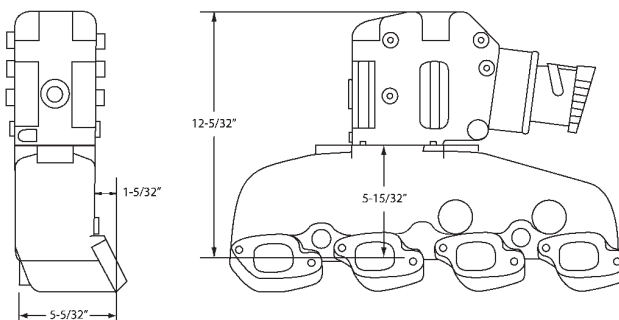
No. 51240
EXHAUST MANIFOLD
OEM: 807078T08



V8 B.B. w/ 4" Riser (1981 & Up)

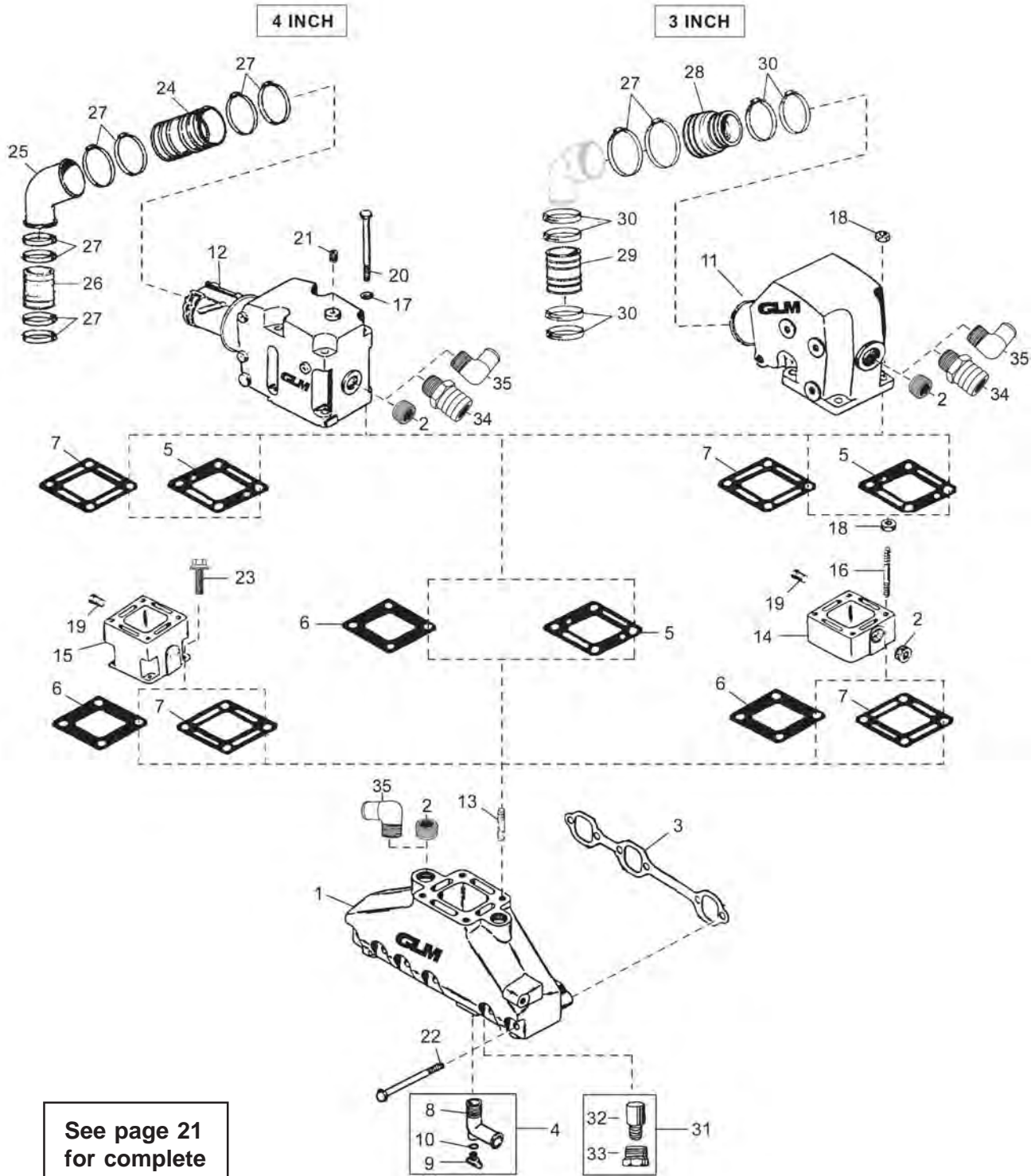
No. 51140
EXHAUST ELBOW
OEM: 807988Q03

No. 51240
EXHAUST MANIFOLD
OEM: 807078T08



MerCruiser




MODEL 175-205 - V6, GM 229/262 CID (1983 - 0M SN#'s)



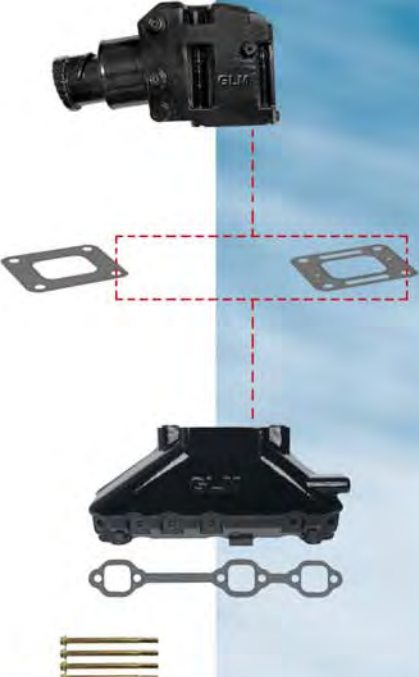


MerCruiser

COMBINATIONS FOR V6, GM 229/262 CID (1983 & UP)

3 Inch Elbow (1986 & Before)

Standard		With 3 inch Spacer		With 6 inch Spacer	
Fresh Water Cooling	Raw Water Cooling	Fresh Water Cooling	Raw Water Cooling	Fresh Water Cooling	Raw Water Cooling
					

4 Inch Elbow (1986 & After)

Standard		With 3 inch Spacer		With 6 inch Spacer	
Fresh Water Cooling	Raw Water Cooling	Fresh Water Cooling	Raw Water Cooling	Fresh Water Cooling	Raw Water Cooling
					

MerCruiser

COMPLETE MANIFOLD & CONVERSION KITS - GM V6

No. 58221

WITHOUT SPACER



3 Inch Elbow Kit

No. 58222

WITHOUT SPACER



4 Inch Elbow Kit

No. 58223

WITH 3 INCH SPACER



3 Inch Elbow Kit

No. 58224

WITH 3 INCH SPACER



4 Inch Elbow Kit

No. 58225

WITH 6 INCH SPACER



3 Inch Elbow Kit

No. 58226

WITH 6 INCH SPACER



4 Inch Elbow Kit

Dry Joint Alternative Manifold + Elbow Set - V6

No. 58650

WITHOUT SPACER



Kit Contains: 1 Manifold, 1 Elbow,
All Gaskets & Hardware

V6 Conversion Kits

No. 58992

CAST IRON

Single-Piece Manifolds to
Center Rise Manifolds



* Does NOT contain original exhaust tube
for Y-pipe. Re-use original.

V6 4.3L GM 262 CID w/ Raw Water Cooling
(1996-2000)

No. 58653

WITH 3" SPACER



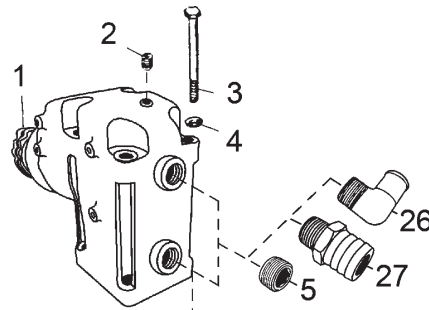
Kit Contains: 1 Manifold, 1 Elbow, 1 Spacer,
All Gaskets & Hardware

MerCruiser

GM V6 & V8 S.B. DRY JOINT ALTERNATIVE (0M SN#'s & UP)

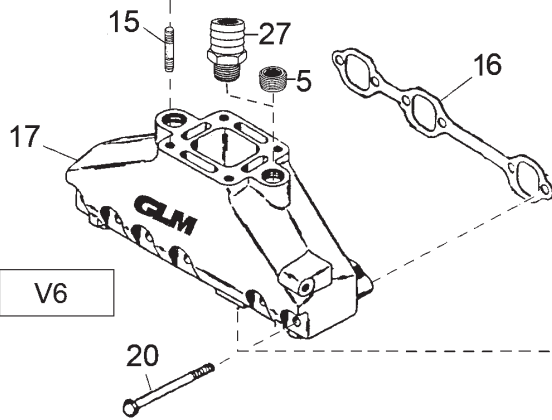
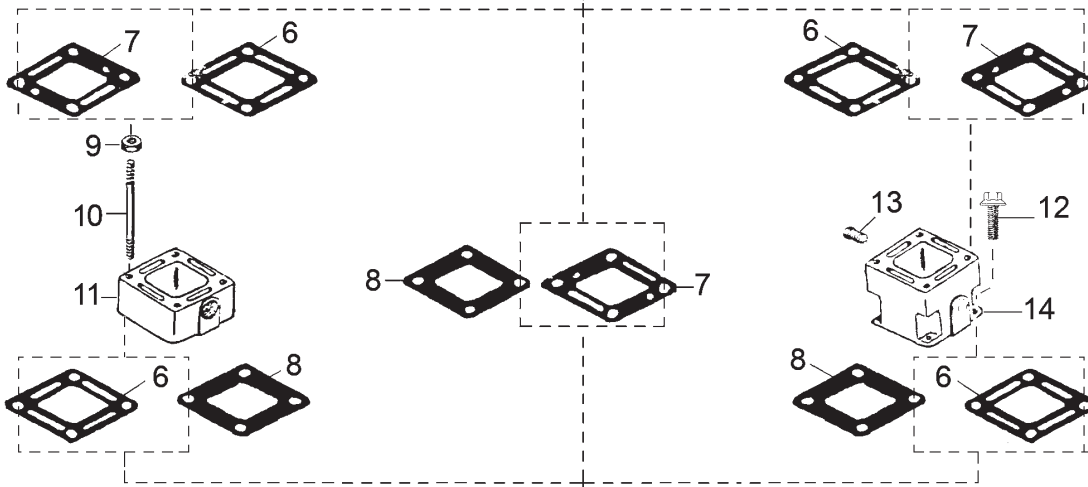
3" Spacer Kit

No. 50350

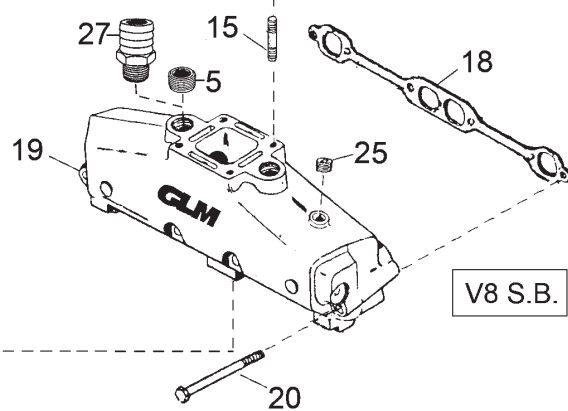


3 INCH

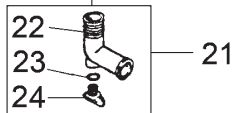
6 INCH



V6

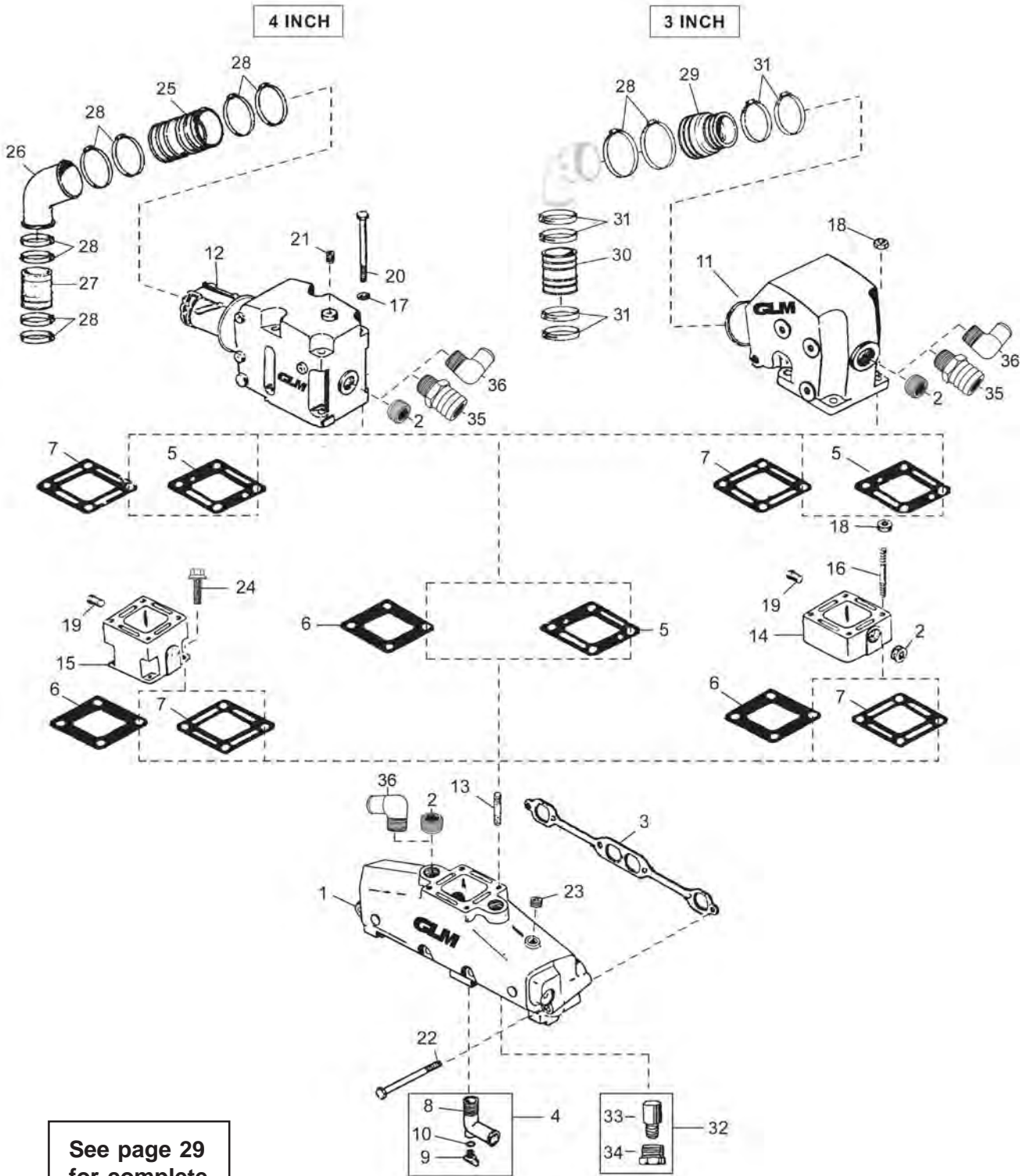


V8 S.B.



MerCruiser

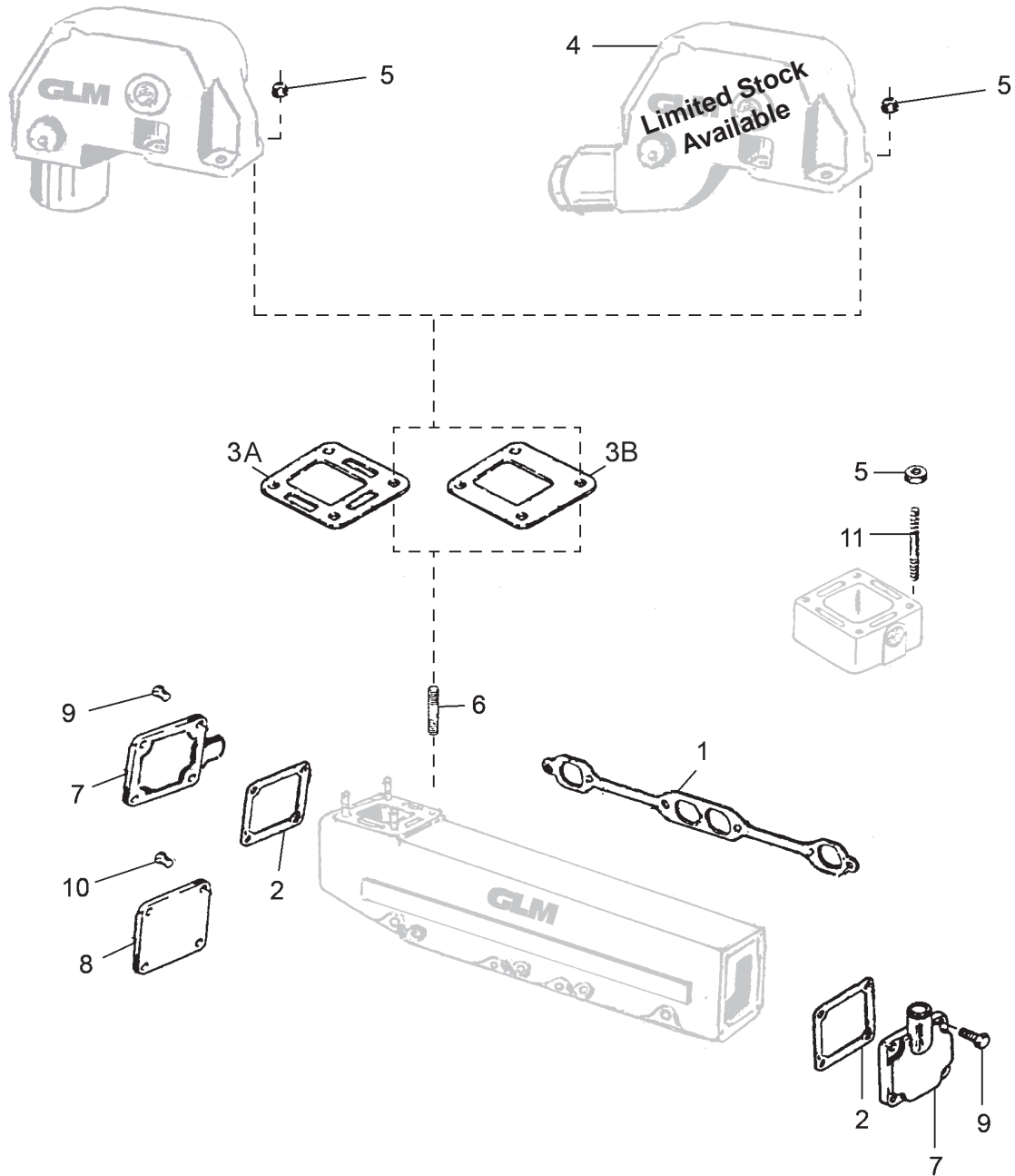
MODEL 200-320, V8 (S.B.), GM 305/350/377 CID (1983 - 0M SN#'s)



See page 29
for complete
manifold kits.

MerCruiser



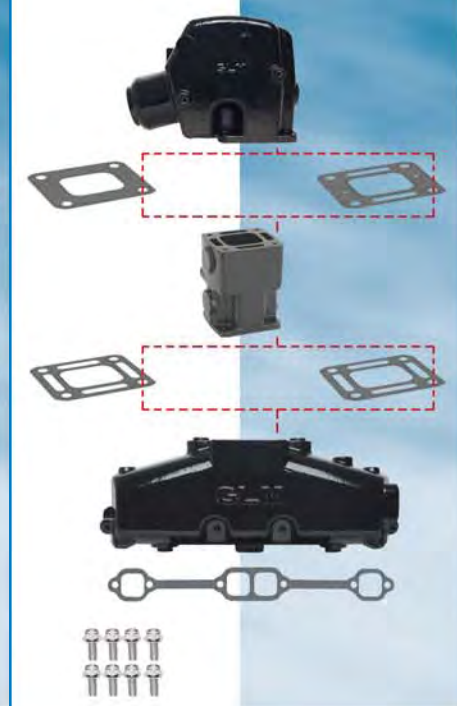
MODEL 198-898 - GM 305/350 CID V8 S.B. (1977-82)





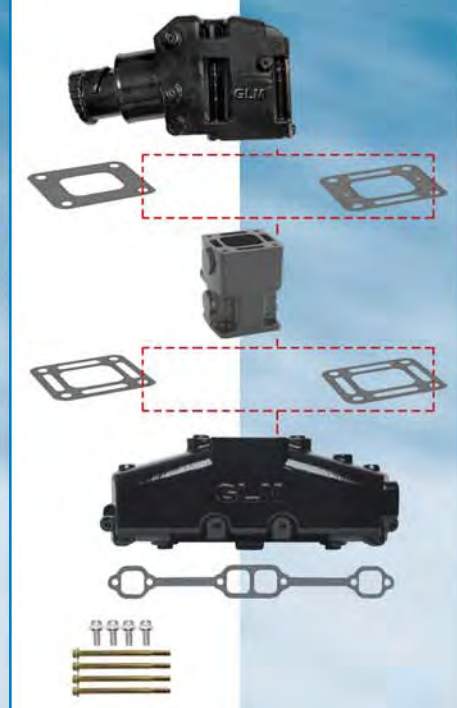
MerCruiser

COMBINATIONS FOR V8 (S.B.), GM 305/350/377 CID (1983 & UP)

3 Inch Elbow (1986 & Before)

Standard		With 3 inch Spacer		With 6 inch Spacer	
Fresh Water Cooling	Raw Water Cooling	Fresh Water Cooling	Raw Water Cooling	Fresh Water Cooling	Raw Water Cooling
					

4 Inch Elbow (1986 & After)

Standard		With 3 inch Spacer		With 6 inch Spacer	
Fresh Water Cooling	Raw Water Cooling	Fresh Water Cooling	Raw Water Cooling	Fresh Water Cooling	Raw Water Cooling
					



MerCruiser

COMPLETE MANIFOLD & CONVERSION KITS - GM V8 (S.B.)

No. 58231

WITHOUT SPACER



3 Inch Elbow Kit

No. 58232

WITHOUT SPACER



4 Inch Elbow Kit

No. 58233

WITH 3 INCH SPACER



3 Inch Elbow Kit

No. 58234

WITH 3 INCH SPACER



4 Inch Elbow Kit

No. 58235

WITH 6 INCH SPACER



3 Inch Elbow Kit

No. 58236

WITH 6 INCH SPACER



4 Inch Elbow Kit

Dry Joint Alternative Manifold + Elbow Set - V8 S.B.

No. 58660

WITHOUT SPACER



Kit Contains: 1 Manifold, 1 Elbow,
All Gaskets & Hardware

No. 58663

WITH SPACER



Kit Contains: 1 Manifold, 1 Elbow, 1 Spacer,
All Gaskets & Hardware



Conversion Kits

No. 58990

CAST IRON

Log Style Manifolds to
Center Rise Manifolds



* Not for use on engines w/ high mounted power steering pumps.
GM 305 & 350 CID with 3" or 4" Y-Pipe

No. 74009

ALTERNATOR BRACKET
OEM: 93175T

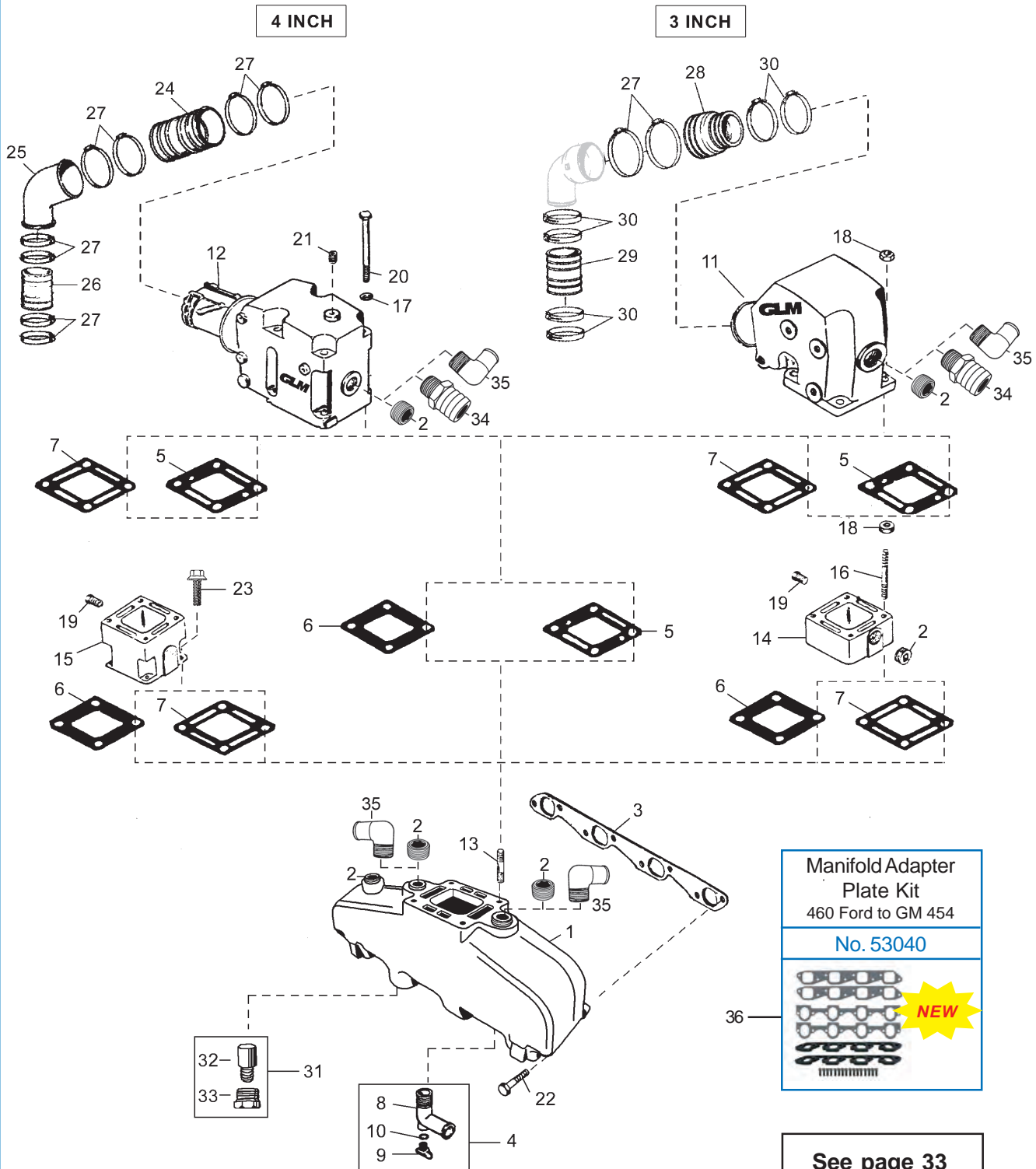
* For use with No. 58990



GM 305 & 350 CID with 3" or 4" Y-Pipe

MerCruiser

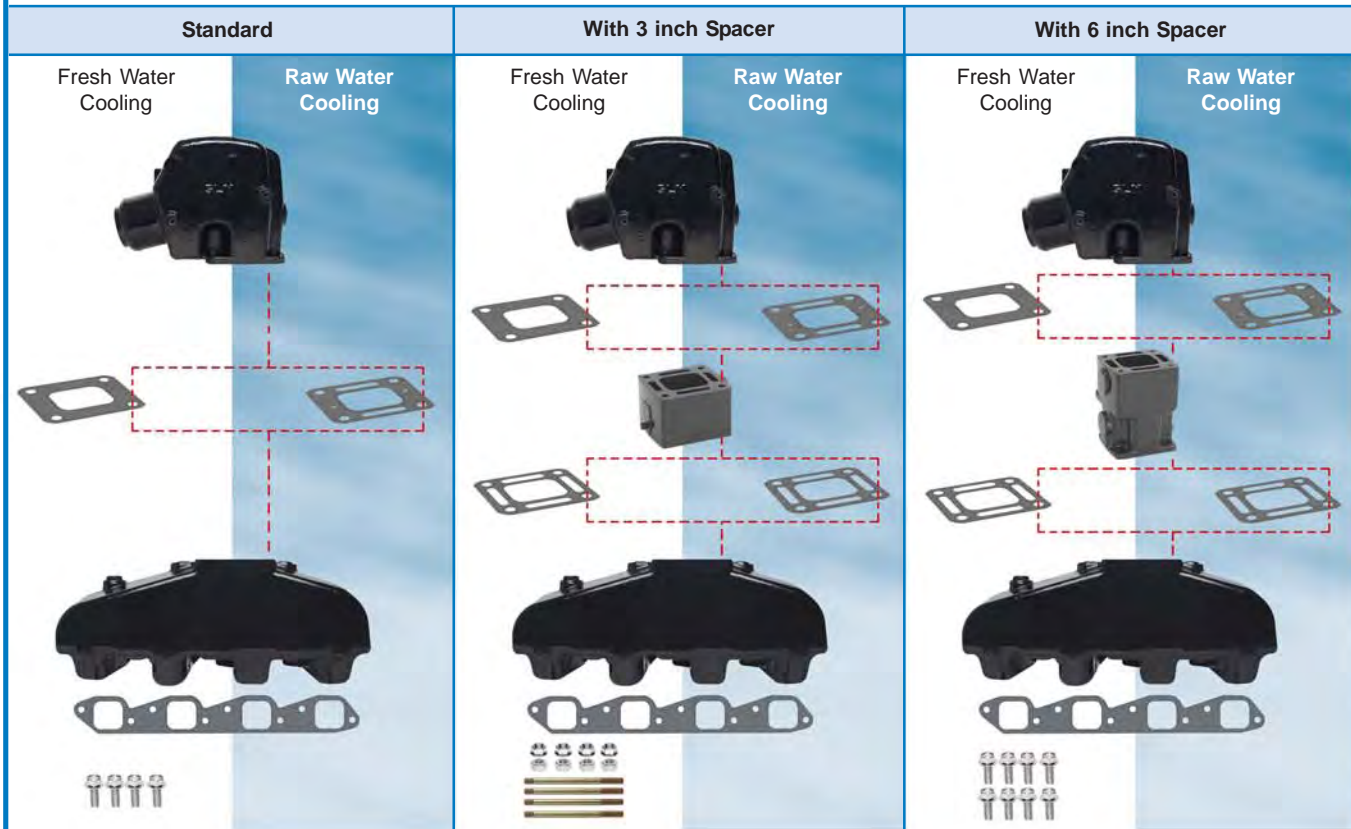
MODEL 330-370, V8 (B.B.), GM 454/502 CID (1981 & UP)



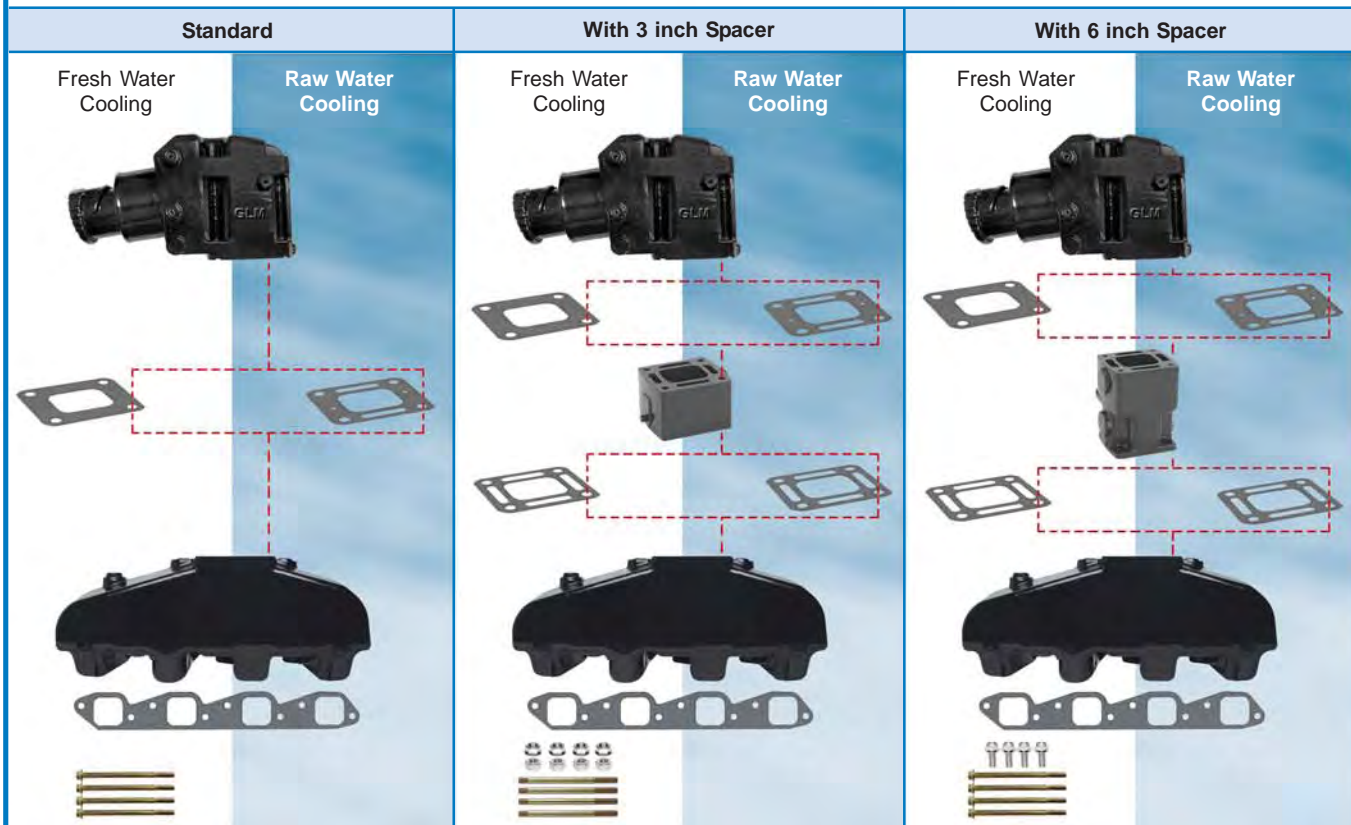
MerCruiser

COMBINATIONS FOR V8 (B.B.), GM 454/502 CID (1981 & UP)

3 Inch Elbow (1986 & Before)



4 Inch Elbow (1986 & After)



MerCruiser

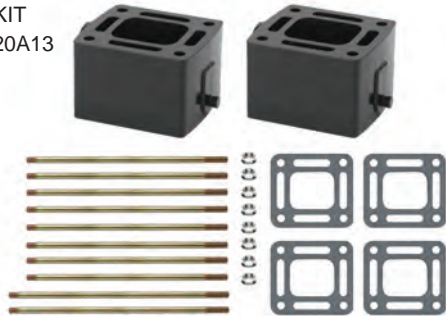
EXHAUST FLAPPER VALVES			WATER SHUTTER	
<p>No. 89240 3 INCH OEM: 34765A1 (with Clamps)</p>  <p>3 Inch</p>	<p>No. 89250 4 INCH OEM: 12644A1 (with Clamps)</p>  <p>4 Inch</p>	<p>No. 89260 5 & 6 INCH OEM: N/A (with Clamps)</p>  <p>5 & 6 Inch</p>	<p>No. 89160 3 INCH OEM: 99370A2</p>  <p>3 Inch</p>	<p>No. 89175 4 INCH OEM: 807166A1</p>  <p>4 Inch</p>
EXHAUST BELLOWS				
<p>No. 89090 LOWER - 3 INCH OEM: 32-90949T</p>  <p>3" Elbow to 3" Y-Pipe</p>	<p>No. 89130 LOWER - 4 INCH OEM: 32-14358T</p>  <p>4" Elbow to 4" Y-Pipe</p>	<p>No. 89070 UPPER - 3 INCH OEM: 70981A3</p>  <p>3" Center Mounted Riser to 4" Elbow Rear Mounted Riser to 4" Y-Pipe V8 (1971-1982), V6 & V8</p>	<p>No. 89120 UPPER - 4 INCH OEM: 32-4434001</p>  <p>4" Center Mounted Riser to 4" Elbow V6 & V8</p>	
<p>No. 89060 EXHAUST ELBOW BELLOW OEM: 53114A1</p>  <p>4 & 6-Cyl. Inline Engines</p>	<p>No. 89100 EXHAUST ELBOW BELLOW OEM: 18654A1 (w/ Clamps & Clips)</p>  <p>Transom Plate to Bell Housing</p>	<p>No. 89150 EXHAUST TUBE OEM: 78458A1 (w/ Clamp & Clips)</p>  <p>Transom Plate to Bell Housing</p>	<p>SUS 316 Hose Clamps</p> <p>No. 01056 OEM: 54-815504456 For Bellow 89090, 89060, 89070</p> <p>No. 01070 OEM: 54-815504348 For Bellow 89100, 89150, 89060 (Small side)</p> <p>No. 01100 OEM: 54-815504372 For Bellow 89120, 89130, 89070 (Large side)</p> 	

MerCruiser

SPACER KITS - CAST IRON

No. 50310

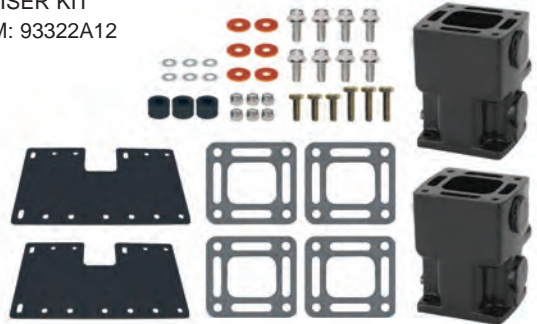
3" RISER KIT
OEM: 93320A13



Fits: MCM V6 & TBI engines w/ 2-piece exhaust manifolds (0M614999 & below), MCM/MIE/Ski V8 (305, 350, 377, 454 & 502 CID) engines w/ cast iron elbows (0M299999 & below), MCM V8 (305 & 350 CID) carb. engines (0M300000-0M599999), MIE & Ski carb. engines (0M300000-0M316999).

No. 50610

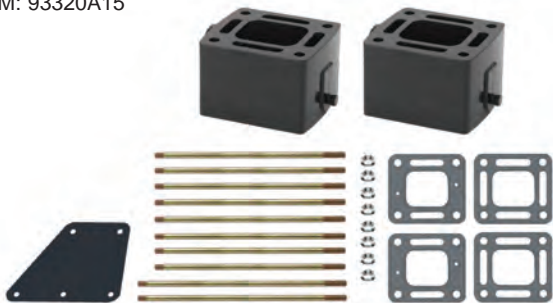
6" RISER KIT
OEM: 93322A12



Fits: MCM V6 & TBI engines w/ 2-piece exhaust manifolds (0M614999 & below), MCM/MIE/Ski V8 (305, 350, 377, 454 & 502 CID) engines with cast iron elbows (0M299999 & below), MCM V8 (305, 350 CID) carb. engines (0M300000-0M599999), MIE & Ski carb. engines (0M300000-0M316999).

No. 50320

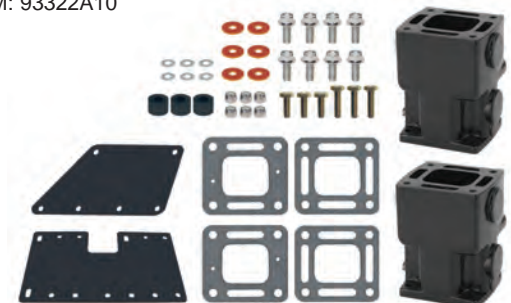
3" RISER KIT
OEM: 93320A15



Fits: 2001-02 MCM 4.3L MPI (0M300000-0M614999), 2001-02 MCM V8 (305, 350 & 377 CID) MPI engine (0M300000-0M599999), 2001-02 MIE & Ski V8 (350 & 377 CID) MPI engines (0M300000-0M316999). Fits only the above engines with cast iron elbows.

No. 50620

6" RISER KIT
OEM: 93322A10



Fits: 2001-02 MCM 4.3L (0M300000-0M314999), 2001-02 MCM V8 (305, 350 & 377 CID) MPI engine (0M300000-0M599999), 2001-02 MIE & Ski V8 (350 & 377 CID) MPI engines (0M300000-0M316999).

No. 50350

3" RISER KIT for DRY-JOINT
REPLACEMENTS
OEM: N/A



Fits: V6 & V8 Small Block Dry-Joint Replacement Manifold & Elbow (2004 & Up)

SPACERS

No. 50300

3" SPACER - CAST IRON
OEM: N/A



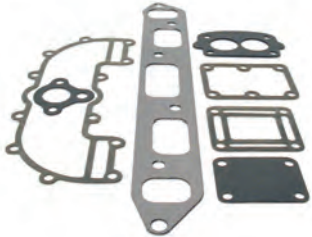
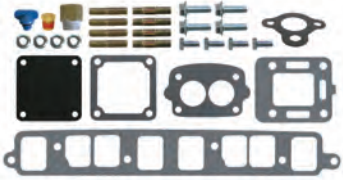
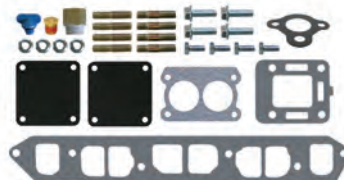
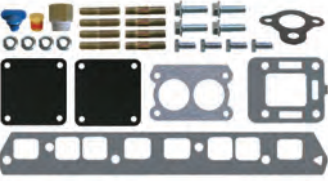
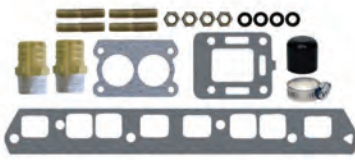
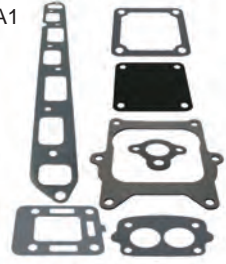
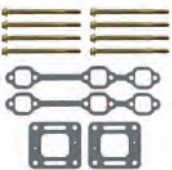
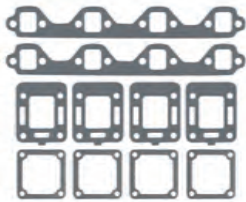
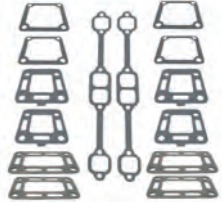
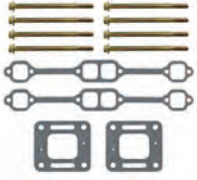
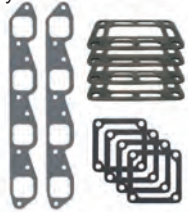
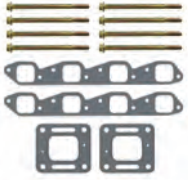
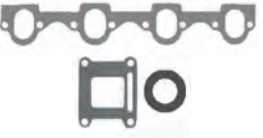


No. 50600

6" SPACER - CAST IRON
OEM: N/A




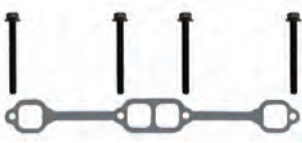

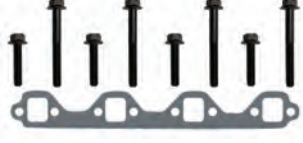
MerCruiser

EXHAUST GASKET SETS













<p>No. 39290 OEM: 27-35898A4</p>  <p>GM 153 CID (2.5L) 120 HP</p>	<p>No. 39300 OEM: 27-53354A1 Without Hardware</p> <p>No. 53930 OEM: N/A With Hardware</p>  <p>GM 181 CID (3.0L) 140 HP</p>	<p>No. 39320 OEM: 27-99777A1 Without Hardware</p> <p>No. 53932 OEM: N/A With Hardware</p>  <p>GM 153/181 CID (2.5L/3.0L), 120/140 HP</p>
<p>No. 39271 OEM: N/A Without Hardware</p> <p>No. 53271 OEM: N/A With Hardware</p>  <p>GM 181 CID (3.0LX/3.0L) 1990 & Up</p>	<p>No. 39950 OEM: N/A Without Hardware</p> <p>No. 53950 OEM: N/A With Hardware</p>  <p>GM 181 CID (3.0L) 140HP For Single-Piece Manifold No. 51214</p>	<p>No. 39270 OEM: 27-46401A1</p>  <p>GM 250/292 CID Inline 6-Cyl.</p>
<p>No. 39870 OEM: N/A Without Hardware</p> <p>No. 53870 OEM: N/A With Hardware</p>  <p>GM 229/262 CID V6 175-205 HP Fits Center Riser Manifold</p>	<p>No. 39310 OEM: 27-54566A1 Fits Log Style Manifold</p>  <p>Ford 302/351 CID (5.0/5.8L)</p>	<p>No. 39280 OEM: 27-33395A2 Fits Log Style Manifold</p>  <p>GM 305/350 CID (5.0/5.0L) 198-270 HP</p>
<p>No. 39880 OEM: N/A Without Hardware</p> <p>No. 53880 OEM: N/A With Hardware</p>  <p>GM 305/350 CID (5.0/5.7L) 200-320 HP Fits Center Riser Manifolds</p>	<p>No. 39120 OEM: 27-46820A1 Fits Log Style Manifold</p>  <p>GM 427/454/482 CID</p>	<p>No. 39890 OEM: N/A Without Hardware</p> <p>No. 53890 OEM: N/A With Hardware</p>  <p>GM 454/502 CID (7.4/8.2L) Fits Center Riser Manifolds</p>
<p>No. 39272 OEM: N/A Fits Cast Iron Manifold</p>  <p>GM 244 CID 4-Cyl.</p>	<p>No. 39273 OEM: N/A Fits Cast Aluminum Manifold</p>  <p>GM 244 CID 4-Cyl.</p>	<p>No. 53040 MANIFOLD ADAPTER PLATE KIT OEM: N/A</p>  <p>Ford 460 to GM 454</p>

MerCruiser

EXHAUST MANIFOLD MOUNTING KITS

<p>No. 32175 OEM: N/A</p>  <p>GM V6</p>	<p>No. 31105 OEM: N/A</p>  <p>GM V8 Small Block</p>	<p>No. 33765 OEM: N/A</p>  <p>GM V8 Big Block</p>	<p>No. 33795 OEM: N/A</p>  <p>Ford V8</p>
---	---	--	---

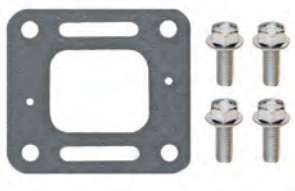
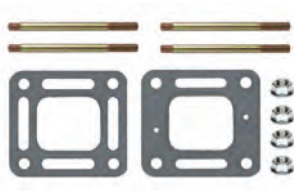
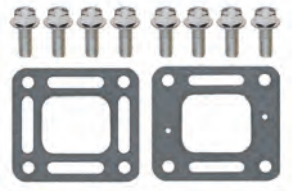
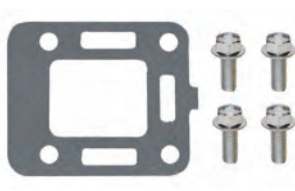
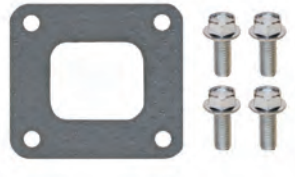
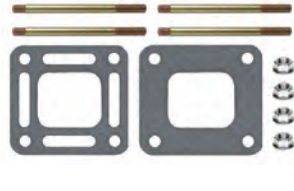
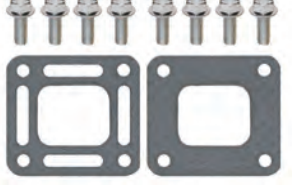
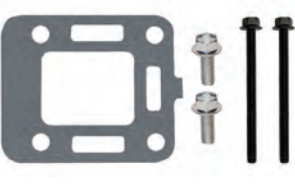
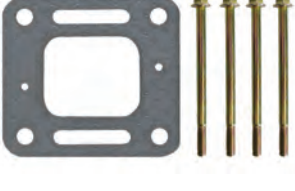

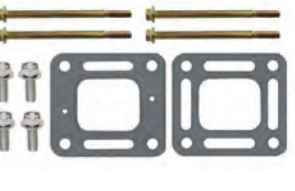
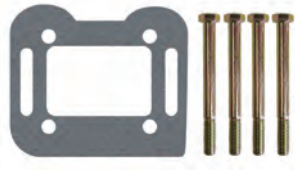
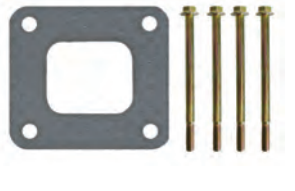

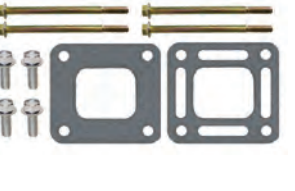

EXHAUST MANIFOLD GASKETS & ADAPTER PLATE

<p>No. 31550 OEM: 27-52546</p>  <p>Chevy 4-Cyl. 153CI/2.5L/120HP</p>	<p>No. 33570 OEM: 27-96429</p>  <p>Chevy 4-Cyl. 153/181 (2.5/3.0L) CID (1983-1995) nonLX</p>	<p>No. 31570 OEM: 27-53354</p>  <p>Chevy 4-Cyl. 181 (3.0L) CID (1968-1982)</p>	<p>No. 33580 OEM: 27-815528</p>  <p>Chevy 4-Cyl.</p>
<p>No. 31710 OEM: 27-68715</p>  <p>4-Cyl. 224 (3.7L) CID MerCruiser Built</p>	<p>No. 31440 OEM: 27-46401</p>  <p>Chevy Inline 6-Cyl. 250CI/165hp</p>	<p>No. 32170 OEM: 27-99757</p>  <p>Chevy V6</p>	<p>No. 33790 OEM: 27-73866</p>  <p>Ford 302/351</p>
<p>No. 31100 OEM: 27-33395</p>  <p>Chevy 305/350</p>	<p>No. 31101 OEM: BARR STYLE CHV-47-0000</p>  <p>Chevy 305/350</p>	<p>No. 33760 OEM: 27-46820</p>  <p>Chevy 454/502</p>	<p>No. 50040 ADAPTER PLATE OEM: N/A</p>  <p>Ford 460 to Chevy 454</p>



MerCruiser

EXHAUST ELBOW MOUNTING KITS

<p>No. 53300 OEM: N/A 3 Inch Riser without Spacer</p>  <p>Raw Water Cooling</p>	<p>No. 53330 OEM: N/A 3 Inch Riser with 3 Inch Spacer</p>  <p>Raw Water Cooling</p>	<p>No. 53360 OEM: N/A 3 Inch Riser with 6 Inch Spacer</p>  <p>Raw Water Cooling</p>	<p>No. 53100 OEM: N/A</p>  <p>Fits 51190 Riser</p>
<p>No. 53301 OEM: N/A 3 Inch Riser without Spacer</p>  <p>Fresh Water Cooling</p>	<p>No. 53331 OEM: N/A 3 Inch Riser with 3 Inch Spacer</p>  <p>Fresh Water Cooling</p>	<p>No. 53361 OEM: N/A 3 Inch Riser with 6 Inch Spacer</p>  <p>Fresh Water Cooling</p>	<p>No. 53110 OEM: N/A</p>  <p>Fits 51130 Riser</p>
<p>No. 53400 OEM: N/A 4 Inch Riser without Spacer</p>  <p>Raw Water Cooling</p>	<p>No. 53430 OEM: N/A 4 Inch Riser with 3 Inch Spacer</p>  <p>Raw Water Cooling</p>	<p>No. 53460 OEM: N/A 4 Inch Riser with 6 Inch Spacer</p>  <p>Raw Water Cooling</p>	<p>No. 53120 OEM: N/A</p>  <p>Fits 51180 Riser</p>
<p>No. 53401 OEM: N/A 4 Inch Riser without Spacer</p>  <p>Fresh Water Cooling</p>	<p>No. 53431 OEM: N/A 4 Inch Riser with 3 Inch Spacer</p>  <p>Fresh Water Cooling</p>	<p>No. 53461 OEM: N/A 4 Inch Riser with 6 Inch Spacer</p>  <p>Fresh Water Cooling</p>	<p>No. 53130 OEM: N/A</p>  <p>For Cast Iron Manifold Fits 51170 Riser</p>

MerCruiser

EXHAUST ELBOW MOUNTING GASKETS

No. 32080

OEM: 27-860232
CENTER RISER-
OPENGASKET



No. 30240

OEM: 27-860233
CENTER RISER-
RESTRICTED
GASKET



No. 30220

OEM: 27-860231
CENTER RISER-
CLOSED COOLING



No. 32630

OEM: 27-92720
REAR RISER-
CLOSED
COOLING



(1968-1982)

No. 31520

OEM: 27-99777-2
REAR RISER-
OPENGASKET



4/6-Cyl. (except 120hp)
(1968-82), All V8 (1978-82)

No. 31410

OEM: 27-39915



120
(1966-1982)

No. 31480

OEM: 27-48042
WITH
TRSDRIVE



Chevy 305/327/350 (1968-1977)
Chevy 454 V8 (1968-1982)

No. 32460

STEEL GASKET
OEM: 27-856705



MerCruiser Built 4-Cyl. Engines
w/ Aluminum Exhaust Manifolds

No. 32370

PAPER GASKET
OEM: 27-89657



MerCruiser Built 4-Cyl. Engines
w/ Aluminum Exhaust Manifolds

No. 32470

OEM: 27-18272



MerCruiser Built
4-Cyl. Engines w/ Cast Iron Exhaust Manifolds
(except 1976-1982 470)

END CAP GASKETS

No. 30190

FRONT GASKET
OEM: 27-39917



153CI/120HP (1966-1982)
Used w/ end caps w/
water hose connections

No. 31420

REAR GASKET
OEM: 27-39923



153CI/120HP (1966-1982)

No. 30910

REAR GASKET
OEM: 27-73812



153CI/120HP (1966-1982)
Used w/ end caps w/o
water hose connections

No. 31490

REAR/FRONT
GASKET
OEM: 27-48043-1



Used w/ end caps w/
water hose connections

No. 30920

REAR/FRONT
GASKET
OEM: 27-807218



Used w/ end caps w/
water hose connections

MerCruiser

MANIFOLD APPLICATIONS FOR MERCRUISER

Model	Year	Serial No. Range	Exhaust Mani.Port	Exhaust Mani.Stbd.	Exhaust Elbow	End Cap Front	End Cap Rear	Gasket Ex.Mani.	Gasket Ex.Elbow
110 153/L4	1963-66	1537370-2044033	N.L.A.	N/A	N.L.A.	N.L.A.	N.L.A.	31550	N.L.A.
120 153/L4	1966-82	2046625-6229717	-	N/A	-	N.L.A.	N.L.A.	31550	31410
120 153/L4	1983-86	6229718-0B531853	-	N/A	-	51010	51020	33570	31520
2.5L 153/L4	1987-89	0B531854-0C853255	-	N/A	-	51010	51020	33570	31520
140 181/L4	1968-82	2508261-6229717	51212	N/A	-	51010	51030	31570	31520
140 181/L4	1982-86	6229718-0B450800	-	N/A	-	51010	51020	33570	31520
3.0L 181/L4	1987-95	0B450801-0F603999	-	N/A	-	51010	51020	33570	31520
3.0L 181/L4	1998-	0L010042 & Up	51214	N/A	51160	51030	51020	33580	31520
3.0LX 181/L4	1990-97	0C856559-0K999999	51214	N/A	51160	51030	51020	33580	31520
165 (4-Cyl.) 224/L4	1987-87	0B434941-0B774251	-	N/A	-	N/A	N/A	31710	32470
165 (4-Cyl.) 224/L4	1987-87	0B434941-0B774251	-	N/A	-	N/A	N/A	31710	32460
170 224/L4	1985-86	6916779-0B434940	-	N/A	-	N/A	N/A	31710	32470
170 224/L4	1985-86	6916779-0B434940	-	N/A	-	N/A	N/A	31710	32460
180 224/L4	1987-87	0B436391-0B775248	-	N/A	-	N/A	N/A	31710	32470
180 224/L4	1987-87	0B436391-0B775248	-	N/A	-	N/A	N/A	31710	32460
190 224/L4	1985-86	6916779-0B436390	-	N/A	-	N/A	N/A	31710	32470
190 224/L4	1985-86	6916779-0B436390	-	N/A	-	N/A	N/A	31710	32460
3.7L 224/L4	1988-89	0B774252 & Up	-	N/A	-	N/A	N/A	31710	32470
3.7L 224/L4	1988-89	0B774252 & Up	-	N/A	-	N/A	N/A	31710	32460
3.7LX 224/L4	1988-89	0B775249 & Up	-	N/A	-	N/A	N/A	31710	32470
3.7LX 224/L4	1988-89	0B775249 & Up	-	N/A	-	N/A	N/A	31710	32460
470 224/L4	1976-77	4208730-4625579	-	N/A	-	N.L.A.	N.L.A.	31710	31520
470 MCM & MIE 224/L4	1977-82	4625580-6218036	-	N/A	-	N.L.A.	N.L.A.	31710	31520
470 224/L4	1983-84	6218037-6916778	-	N/A	-	N/A	N/A	31710	32460
485 224/L4	1980-82	5685394-6218036	-	N/A	-	N/A	N/A	31710	32370
488 224/L4	1983-84	6170297-6916778	-	N/A	-	N/A	N/A	31710	32460
140 (6-Cyl.) 194/L6	1963-63	1538930-1725960	N.L.A.	N/A	N.L.A.	N/A	N/A	31440	N.L.A.
150 230/L6	1964-66	1666495-2048046	N.L.A.	N/A	N.L.A.	N/A	N/A	31440	N.L.A.
160 250/L6	1967-69	2048022-2770031	N.L.A.	N/A	N.L.A.	N/A	N/A	31440	N.L.A.
165 (6-Cyl.) 250/L6	1970-81	2770032-5813433	-	N/A	-	51010	51030	31440	31520
200 (6-Cyl.) 292/L6	1969-69	2453769-2712072	-	N/A	-	N.L.A.	51030	31440	31520
185 (4bbl.) 229/V6	1983-84	6330183-6919655	51220	51220	51110	N/A	N/A	32170	30240
175 262/V6	1987-87	0B527955-0B773242	51220	51220	51140	N/A	N/A	32170	30240
185 (2bbl.) 262/V6	1985-86	0A331455-0B527954	51220	51220	51110	N/A	N/A	32170	30240
185 (2bbl.) 262/V6	1985-86	0A331455-0B527954	51220	51220	51140	N/A	N/A	32170	30240
205 262/V6	1985-86	0A331455-0B527954	51220	51220	51110	N/A	N/A	32170	30240
205 262/V6	1985-86	0A331455-0B527954	51220	51220	51140	N/A	N/A	32170	30240
205 262/V6	1987-87	0B527955-0B775129	51220	51220	51140	N/A	N/A	32170	30240
262 Mag EFI (Gen +) 262/V6	1996-97	0F803800-0K999999	51220	51220	51140	N/A	N/A	32170	32080
262 Mag EFI (Gen +) 262/V6	1996-97	0F803800-0K999999	51220	51220	N/A	N/A	N/A	32170	N/A
4.3L 262/V6	1988-96	0B773243-0F802999	51220	51220	51140	N/A	N/A	32170	30240
4.3L (Gen +) 262/V6	1998-01	0L010044 & Up	51220	51220	51140	N/A	N/A	32170	32080
4.3L (Gen +) 262/V6	1998-01	0L010044 & Up	51220	51220	N/A	N/A	N/A	32170	N/A
4.3L EFI (Gen +) 262/V6	1998-01	0L012009 & Up	51220	51220	51140	N/A	N/A	32170	32080
4.3L EFI (Gen +) 262/V6	1998-01	0L012009 & Up	51220	51220	N/A	N/A	N/A	32170	N/A
4.3L MPI 262/V6	2001-01	0M300000 & Up	51220	51220	51140	N/A	N/A	32170	30240
4.3LH (Gen +) 262/V6	1998-01	0L010044 & Up	51220	51220	51140	N/A	N/A	32170	32080
4.3LH (Gen +) 262/V6	1998-01	0L010044 & Up	51220	51220	N/A	N/A	N/A	32170	N/A
4.3 LX (4bbl.) 262/V6	1998-96	0B775130-0F802999	51220	51220	51140	N/A	N/A	32170	30240
4.3LX (Gen +) (2bbl.) 262/V6	1996-01	0F803800-0K999999	51220	51220	51140	N/A	N/A	32170	32080
4.3LX (Gen +) (2bbl.) 262/V6	1996-01	0F803800-0K999999	51220	51220	N/A	N/A	N/A	32170	N/A
4.3LXH (Gen +) 262/V6	1996-97	0F803814-0K999999	51220	51220	51140	N/A	N/A	32170	32080
4.3LXH (Gen +) 262/V6	1996-97	0F803814-0K999999	51220	51220	N/A	N/A	N/A	32170	N/A
215 302/V8	1970-70	2781153-3040410	-	-	-	51010	51030	33790	31520
215 302/V8	1971-72	3040411-3385720	-	-	-	51010	51010	33790	31520
215 MIE 302/V8	1970-70	2781153-3040410	-	-	-	51010	51030	33790	31520
215 MIE 302/V8	1971-72	3040411-3563181	-	-	-	51010	51010	33790	31520
225 (Ford) 302/V8	1973-74	3385721-4166999	-	-	-	51010	51010	33790	31520
225 MIE (Ford) 302/V8	1973-74	3385721-4176999	-	-	-	51010	51010	33790	31520
888 302/V8	1971-77	3108723-4887829	-	-	-	51010	51010	33790	31520
190 283/v8	1963-64	1564539-1730903	N.L.A.	N.L.A.	N.L.A.	N.L.A.	N.L.A.	31100	N.L.A.
198 MIE 305/V8	1977-77	4776402-4931099	-	-	-	51010	51010	31100	31480
198 MIE 305/V8	1977-77	4776402-4931099	-	-	-	51010	51010	31100	31520
200 305/V8	1985-87	6899058-0B525981	51230	51230	51110	N/A	N/A	31100	30240
200 305/V8	1985-87	6899058-0B525981	51230	51230	51140	N/A	N/A	31100	30240
200 305/V8	1987-87	0B525982-0B774444	51230	51230	51140	N/A	N/A	31100	30240



MerCruiser

MANIFOLD APPLICATIONS FOR MERCRUISER

Model	Year	Serial No. Range	Exhaust Mani.Port	Exhaust Mani.Stbd.	Exhaust Elbow	End Cap Front	End Cap Rear	Gasket Ex.Mani.	Gasket Ex.Elbow
228 305/V8	1977-77	4765100-4888929	-	-	-	51010	51010	31100	31480
228 305/V8	1977-82	4888930-6218461	-	-	-	51010	51010	31100	31520
228 305/V8	1983-95	6218462-0F600999	51230	51230	51110	N/A	N/A	31100	30240
228 305/V8	1983-95	6218462-0F600999	51230	51230	51140	N/A	N/A	31100	30240
228 TR 305/V8	1977-77	4765100-4888929	-	-	-	51010	51010	31100	31480
228 TR 305/V8	1977-78	4888930-5170008	-	-	-	51010	51010	31100	31520
228 MIE 305/V8	1977-77	4765100-4888929	-	-	-	51010	51010	31100	31480
228 MIE 305/V8	1977-80	4888930-5907057	-	-	-	51010	51010	31100	31520
230 305/V8	1985-87	6899269-0B525981	51230	51230	51110	N/A	N/A	31100	30240
230 305/V8	1985-87	6899269-0B525981	51230	51230	51140	N/A	N/A	31100	30240
230 305/V8	1987-87	0B525982-0B773739	51230	51230	51140	N/A	N/A	31100	30240
230 MIE 305/V8	1981-87	5907058-0B788151	51230	51230	51110	N/A	N/A	31100	30240
230 MIE 305/V8	1981-87	5907058-0B788151	51230	51230	51110	N/A	N/A	31100	30240
230 MIE 305/V8	1981-87	5907058-0B788151	51230	51230	51140	N/A	N/A	31100	30240
230 MIE 305/V8	1981-87	5907058-0B788151	51230	51230	51140	N/A	N/A	31100	30240
5.0L 305/V8	1988-95	0B774445-0F600999	51230	51230	51140	N/A	N/A	31100	30240
5.0L (Gen +) 305/V8	1998-01	0L015751 & Up	51230	51230	51140	N/A	N/A	31100	32080
5.0L EFI (Gen +) 305/V8	1998-01	0L012052 & Up	51230	51230	51140	N/A	N/A	31100	32080
5.0L MIE 305/V8	1988-88	0B788152-0C396832	51230	51230	51140	N/A	N/A	31100	30240
5.0L MPI 305/V8	2001-01	0M300000 & Up	51230	51230	51140	N/A	N/A	31100	30240
5.0 LX 305/V8	1988-95	0B773740-0F600999	51230	51230	51140	N/A	N/A	31100	30240
898 305/V8	1977-82	4766210-6218461	-	-	-	51010	51010	31100	31480
898 305/V8	1977-82	4766210-6218461	-	-	-	51010	51010	31100	31520
898 305/V8	1983-84	6218462-6899057	51230	51230	51110	N/A	N/A	31100	30240
898 305/V8	1983-84	6218462-6899057	51230	51230	51140	N/A	N/A	31100	30240
225 (GM) 327/V8	1963-68	1539620-2399397	N.L.A.	N.L.A.	N.L.A.	N.L.A.	N.L.A.	31100	N.L.A.
225 (GM) 327/V8	1968-69	2399398-2694014	N.L.A.	N.L.A.	-	51010	51010	31100	31480
225 MIE (GM) 327/V8	1968-68	2278647-2399387	N.L.A.	N.L.A.	N.L.A.	N.L.A.	N.L.A.	31100	N.L.A.
225 MIE (GM) 327/V8	1968-69	2399398-2694014	-	-	-	51010	51030	31100	31480
250 327/V8	1968-69	2314301-2639854	-	-	-	51010	51030	31100	31480
250 MIE 327/V8	1968-69	2314301-2639854	-	-	-	51010	51030	31100	31480
250 350/V8	1977-77	4768000-4908849	-	-	-	51010	51010	31100	31480
250 350/V8	1977-77	4768000-4908849	-	-	-	51010	51010	31100	31520
255 (GM) 350/V8	1975-76	4175500-4499060	-	-	-	51010	51030	31100	31480
255 (GM) 350/V8	1976-76	4499061-4767999	-	-	-	51010	51010	31100	31520
255 MIE (GM) 350/V8	1975-76	4175500-4499060	-	-	-	51010	51030	31100	31480
255 MIE (GM) 350/V8	1976-80	4499061-5907057	-	-	-	51010	51010	31100	31520
260 350/V8	1978-82	4908850-6218461	-	-	-	51010	51010	31100	31520
260 350/V8	1983-87	6218462-0B773304	51230	51230	51110	N/A	N/A	31100	30240
260 MIE 350/V8	1981-87	5907058-0F024999	51230	51230	-	N/A	N/A	31100	30240
260 MIE 350/V8	1981-87	5907058-0F024999	51230	51230	51110	N/A	N/A	31100	30240
260 MIE 350/V8	1981-87	5907058-0F024999	51230	51230	51140	N/A	N/A	31100	30240
270 350/V8	1969-72	2851074-3385720	-	-	-	51010	51030	31100	31480
270 MIE 350/V8	1969-72	2851074-3077735	-	-	-	51010	51030	31100	31480
280 TRS 350/V8	1975-76	4176250-4770199	-	-	-	51010	51030	31100	31480
280 TRS 350/V8	1975-76	4176250-4770199	-	-	-	51010	51010	31100	31520
300 350/V8	1985-86	6668677-0B430367	51230	51230	N.L.A.	N/A	N/A	31100	32080
320 EFI 350/V8	1987-89	0A543604-0C622418	51230	51230	51140	N/A	N/A	31100	30240
350 Mag Alpha 350/V8	1986-87	0A635178-0K999999	51230	51230	51140	N/A	N/A	31100	30240
350 Mag Alpha EFI 350/V8	1996-97	0F800300-0K999999	51230	51230	51140	N/A	N/A	31100	32080
350 Mag Bravo MPI 350/V8	1995-95	0F415189-0F601999	51230	51230	51140	N/A	N/A	31100	32080
350 Mag Bravo MPI (Gen +) 350/V8	1996-97	0F602000-0K999999	51230	51230	51140	N/A	N/A	31100	32080
350 Mag EFI Ski 350/V8	1994-96	0F215561-0F820706	51230	51230	51140	N/A	N/A	31100	32080
350 Mag EFI Ski (Gen +) 350/V8	1996-97	0F820707-0K999999	51230	51230	51140	N/A	N/A	31100	32080
350 Mag MPI 350/V8	1998-01	0L010019 & Up	51230	51230	51140	N/A	N/A	31100	30240
350 Mag MPI Horizon 350/V8	2001-01	0M300000 & Up	51230	51230	51140	N/A	N/A	31100	32080
350 Mag Horizon MIE 350/V8	1999-01	0L304700 & Up	51230	51230	51140	N/A	N/A	31100	32080
350 Mag MPI MIE 350/V8	1998-98	0L002008-0L304499	51230	51230	51140	N/A	N/A	31100	30240
350 Mag MPI MIE 350/V8	1999-01	0L304500-0M299999	51230	51230	51140	N/A	N/A	31100	32080
350 Mag MPI MIE 350/V8	2001-01	0M300000 & Up	51230	51230	51140	N/A	N/A	31100	30240
350 Mag MPI Ski 350/V8	1995-96	0F350583-0F799999	51230	51230	51140	N/A	N/A	31100	30240
350 Mag MPI Ski (Gen +) 350/V8	2001-01	0M300000 & Up	51230	51230	51140	N/A	N/A	31100	30240
350 Mag Ski 350/V8	1991-97	0D505450-0K999999	51230	51230	51140	N/A	N/A	31100	30240
5.7L 350/V8	1988-97	6218462-0K999999	51230	51230	51140	N/A	N/A	31100	30240
5.7L (Gen +) 350/V8	1998-01	0L010037 & Up	51230	51230	51140	N/A	N/A	31100	32080
5.7L EFI 350/V8	1995-97	0F225560-0K999999	51230	51230	51140	N/A	N/A	31100	30240
5.7L EFI (Gen +) 350/V8	1998-01	0L010035 & Up	51230	51230	51140	N/A	N/A	31100	32080

MerCruiser

MANIFOLD APPLICATIONS FOR MERCRUISER

Model	Year	Serial No. Range	Exhaust Mani.Port	Exhaust Mani.Stbd.	Exhaust Elbow	End Cap Front	End Cap Rear	Gasket Ex.Mani.	Gasket Ex.Elbow
5.7L EFI MIE 350/V8	1997-97	0K40300-0K999999	-	-	51140	N/A	N/A	31100	30240
5.7L MIE 350/V8	1994-97	0F025000-0K999999	51230	51230	51140	N/A	N/A	31100	32040
5.7L EFI MIE 350/V8	1997-97	0K040300-0K999999	-	-	51140	N/A	N/A	31100	32040
5.7L MIE (Gen +) 350/V8	1998-01	0L002003 & Up	51230	51230	51140	N/A	N/A	31100	32040
5.7L Ski 350/V8	1985-95	0A338533-0F775199	51230	51230	51110	N/A	N/A	31100	32040
5.7L Ski 350/V8	1985-95	0A338533-0F775199	51230	51230	51140	N/A	N/A	31100	32040
5.7L Ski 350/V8	1996-01	0F775200 & Up	51230	51230	51140	N/A	N/A	31100	32040
5.7LX 350/V8	1996-97	0F601000-0K999999	51230	51230	51110	N/A	N/A	31100	32040
5.7LX Bravo EFI 350/V8	1996-97	0F800300-0K999999	51230	51230	51140	N/A	N/A	31100	32080
5.7 LX EFI 350/V8	1996-97	0F752400-0K999999	51230	51230	51110	N/A	N/A	31100	30240
Black Scorpion Ski 350/V8	1996-01	0F800000 & Up	51230	51230	51140	N/A	N/A	31100	32080
233 351/V8	1975-77	4173000-4902304	-	-	-	51010	51010	33790	31520
233 MIE 351/V8	1975-77	4173000-4902304	-	-	-	51010	51010	33790	31520
233 MIE 351/V8	1975-77	4173000-4902304	-	-	-	51030	51010	33790	31520
255 (Ford) 351/V8	1973-74	3258728-4175499	-	-	-	51010	51010	33790	31520
255 MIE (Ford) 351/V8	1973-74	3258728-4175499	-	-	-	51010	51010	33790	31520
255 MIE (Ford) 351/V8	1973-74	3258728-4175499	-	-	-	51030	51010	33790	31520
377 Scorpion MCM 377/V8	2000-01	0L416146 & Up	51230	51230	51140	N/A	N/A	31100	32080
377 Scorpion Ski 377/V8	1997-98	0K000656 & Up	51230	51230	51140	N/A	N/A	31100	30240
MX 6.2L MPI 377/V8	2000-01	0L68003-0M29999	51230	51230	51140	N/A	N/A	31100	32080
MX 6.2L MPI 377/V8	2001-	0M300000 & Up	51230	51230	51140	N/A	N/A	31100	30240
MX 6.2L MPI Horizon 377/V8	2001-	0M300000 & Up	51230	51230	51140	N/A	N/A	31100	32080
MX 6.2L MPI Horizon MIE 377/V8	2001-	0M300000 & Up	51230	51230	51140	N/A	N/A	31100	32080
MX 6.2L MPI MIE 377/V8	2001-	0M300000 & Up	51230	51230	51140	N/A	N/A	31100	30240
325 427/V8	1968-68	2278747-2313964	N.L.A.	N.L.A.	N.L.A.	N.L.A.	N.L.A.	33760	N.L.A.
325 427/V8	1968-74	2313965-3780449	-	-	-	51010	51030	33760	31480
325 MIE 437/V8	1968-68	2278747-2313964	N.L.A.	N.L.A.	N.L.A.	N.L.A.	N.L.A.	33760	N.L.A.
325 MIE 427/V8	1968-74	2313965-3780449	-	-	-	51010	51030	33760	31480
330 454/V8	1977-81	4623115-6083144	-	-	-	51010	51010	33760	31480
330 454/V8	1982-87	6083145-0B816540	51240	51240	51110	N/A	N/A	33760	30240
330 454/V8	1982-87	6083145-0B816540	51240	51240	51140	N/A	N/A	33760	30240
330 MIE 454/V8	1977-81	4623115-6083144	-	-	-	51010	51010	33760	31480
340 MIE w/B/W 454/V8	1981-87	5889914-0B788365	51240	51240	-	N/A	N/A	33760	30240
340 MIE w/B/W 454/V8	1981-87	5889914-0B788365	51240	51240	51110	N/A	N/A	33760	30240
340 MIE w/B/W 454/V8	1981-87	5889914-0B788365	51240	51240	51140	N/A	N/A	33760	30240
350 MIE 454/V8	1974-75	3780450-4501640	-	-	-	51010	51030	33760	31480
350 MIE 454/V8	1976-76	4501641-4623109	-	-	-	51010	51010	33760	31480
370 TRS 454/V8	1978-85	4179554-6721527	-	-	-	51010	51030	33760	31480
370 TRS 454/V8	1985-87	6721528-0B714586	51240	51240	51140	N/A	N/A	33760	32080
400 TRS 454/V8	1980-86	4179554-0B457644	-	-	-	51010	51030	33760	31480
420 454/V8	1987-89	0A398941-0B622418	-	-	N.L.A.	N/A	N/A	33760	-
425 454/V8	1990-92	0A398941-0D937011	-	-	-	N/A	N/A	33760	-
450 454/V8	1995-96	0F347100-0F347277	-	-	-	N/A	N/A	33760	-
450 454/V8	1995-96	0F347100-0F347277	-	-	-	N/A	N/A	33760	-
450 454/V8	1995-96	0F347100-0F347277	-	-	-	N/A	N/A	33760	-
454 Mag Alpha 454/V8	1986-88	0A631894-0B785148	51240	51240	51140	N/A	N/A	33760	30240
454 Mag Bravo 454/V8	1988-97	0B721206-0K999999	51240	51240	51140	N/A	N/A	33760	30240
454 Mag EFI 454/V8	1994-95	0F115700-0F802349	51240	51240	51140	N/A	N/A	33760	30240
454 Mag EFI Ski 454/V8	1995-96	0F215800-0F820099	51240	51240	51140	N/A	N/A	33760	30240
454 Mag MPI 454/V8	1996-01	0F802350 & Up	51240	51240	51140	N/A	N/A	33760	30240
454 Mag MPI Horizon MIE 454/V8	1998-01	0L002200 & Up	51240	51240	51140	N/A	N/A	33760	30240
454 Mag MPI Ski 454/V8	1996-97	0F820100-0K999999	51240	51240	51140	N/A	N/A	33760	30240
525 SC w/Bravo 454/V8	1991-96	0D456000-0F877734	-	-	-	N/A	N/A	33760	-
525 SC w/Bravo 454/V8	1991-96	0D456000-0F877734	-	-	-	N/A	N/A	33760	-
525 SC w/Bravo 454/V8	1991-96	0D456000-0F877734	-	-	-	N/A	N/A	33760	-
525 SC w/SSM 454/V8	1991-96	0D456000-0F877734	-	-	-	N/A	N/A	33760	-
525 SC w/SSM 454/V8	1991-96	0D456000-0F877734	-	-	-	N/A	N/A	33760	-
525 SC 454/V8	1997-97	0K000012 & Up	-	-	N/A	N/A	N/A	-	N/A
7.4L Bravo 454/V8	1988-97	0B771113-0K999999	51240	-	51140	N/A	N/A	33760	30240
7.4 EFI MIE 454/V8	1996-97	0F874815-0K999999	51240	-	51140	N/A	N/A	33760	30240
7.4L MIE w/B/W 454/V8	1988-92	0B788366-0D715493	51240	-	-	N/A	N/A	33760	30240
7.4L MIE w/B/W 454/V8	1988-92	0B788366-0D715493	51240	-	51110	N/A	N/A	33760	30240
7.4L MIE w/B/W 454/V8	1988-92	0B788366-0D715493	51240	-	51140	N/A	N/A	33760	30240
7.4L MIE w/Hurth 454/V8	1989-92	0C391564-0D715493	51240	-	51140	N/A	N/A	33760	30240
7.4L MIE 454/V8	1992-97	0D715494-0K999999	51240	-	51140	N/A	N/A	33760	30240
7.4L MPI 454/V8	1998-01	0L010003 & Up	51240	-	51140	N/A	N/A	33760	30240



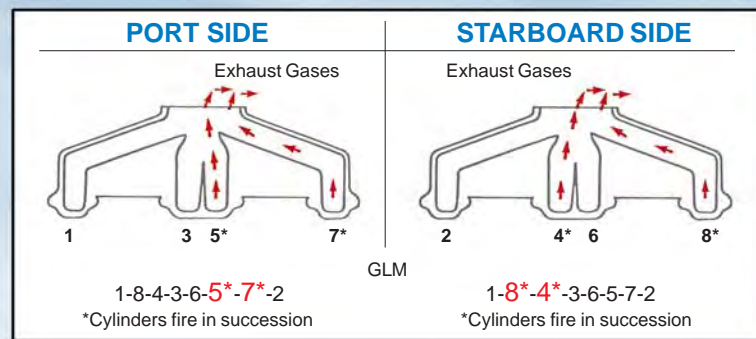
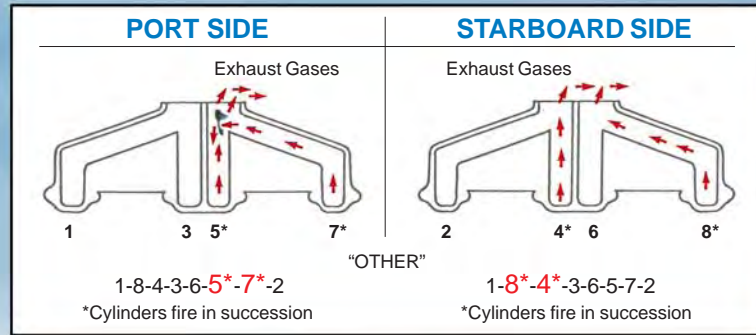
MerCruiser

MANIFOLD APPLICATIONS FOR MERCRUISER

Model	Year	Serial No. Range	Exhaust Mani.Port	Exhaust Mani.Stbd.	Exhaust Elbow	End Cap Front	End Cap Rear	Gasket Ex.Mani.	Gasket Ex.Elbow
7.4L MPI MIE 454/V8	1995-01	0F563052 & Up	51240	-	51140	N/A	N/A	33760	30240
7.4LX Bravo EFI 454/V8	1996-97	0F820000-0K999999	51240	-	51140	N/A	N/A	33760	30240
7.4LX Bravo MPI 454/V8	1996-97	0F602010-0K999999	51240	-	51140	N/A	N/A	33760	30240
390 MCM/MIE 482/V8	1969-70	2781129-3042731	-	-	-	51030	51030	33760	31480
465 502/V8	1990-94	0C849992-0F213244	-	-	-	N/A	N/A	33760	-
500 Bravo 502/V8	1994-98	0F213293-0L001772	-	-	-	N/A	N/A	33760	-
500 (Gen +) 502/V8	1999-00	0L414639-	-	-	-	N/A	N/A	33760	-
502 Mag Bravo 502/V8	1990-93	0C878221-0F114528	51240	51240	51140	N/A	N/A	33760	30240
502 Mag EFI 502/V8	1993-95	0D840650-0F802599	51240	51240	51140	N/A	N/A	33760	30240
502 Mag MPI 502/V8	1996-01	0F802600 & Up	51240	51240	51140	N/A	N/A	33760	30240
600 SC 502/V8	1991-96	0D456489-0F877642	-	-	N/A	N/A	N/A	33760	-
600 SC 502/V8	1997-97	0K000227 & Up	-	-	N/A	N/A	N/A	-	N/A
8.2L MIE 502/V8	1990-96	0C878221-0F819619	51240	51240	51140	N/A	N/A	33760	30240
8.2L MPI MIE 502/V8	1996-01	0F819620 & Up	51240	51240	51140	N/A	N/A	33760	30240
500 Bulldog w/ Bravo 540/V8	1990-98	0C577254-0L001607	-	-	-	N/A	N/A	33760	-
500 Bulldog w/ Bravo 540/V8	1990-98	0C577254-0L001607	-	-	-	N/A	N/A	33760	-
500 Bulldog w/ Bravo 540/V8	1990-98	0C577254-0L001607	-	-	-	N/A	N/A	33760	-
500 Bulldog w/ Bravo 540/V8	1999-00	0L414620-	-	-	-	N/A	N/A	33760	-
500 Bulldog w/ SSM 540/V8	1990-00	0C577254 & Up	-	-	-	N/A	N/A	33760	-
800 SC 572/V8	1993-96	0D763836 & Up	-	-	-	N/A	N/A	-	-

MerCruiser

GM V8 SMALL BLOCK EXHAUST SYSTEM EVALUATION



A high performance aftermarket exhaust manifold can deliver a performance increase over a stock OEM exhaust manifold.

Separating Exhaust Gas Pulses

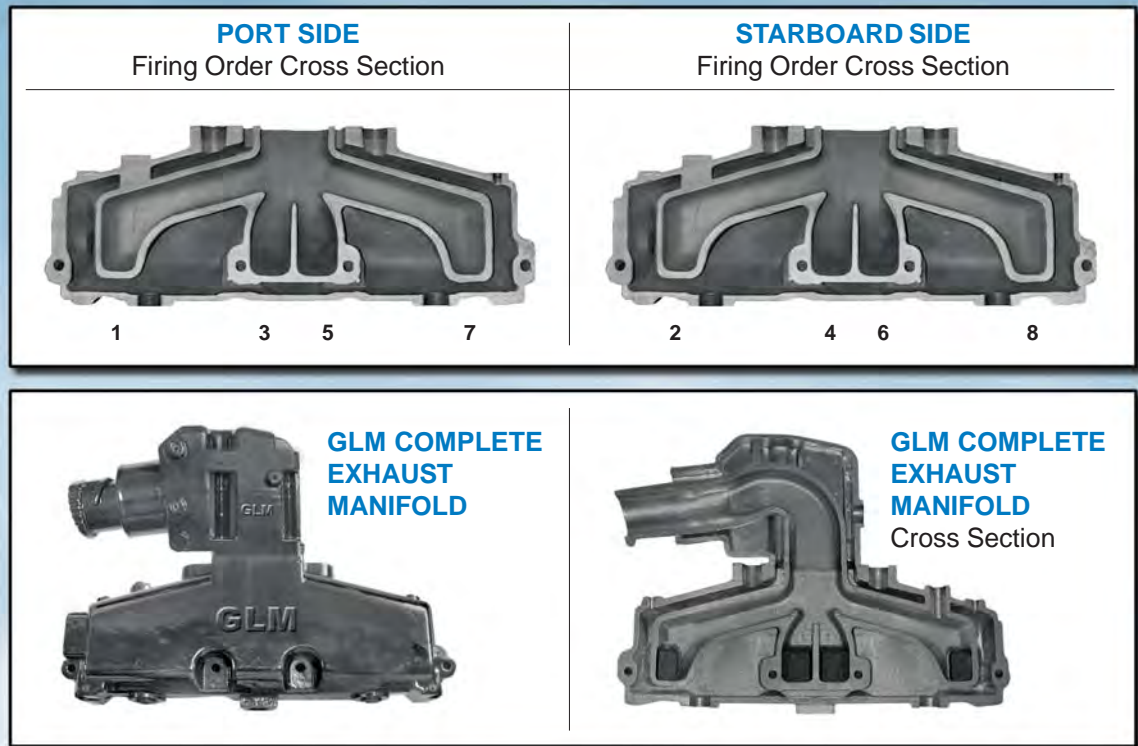
All V8 engines have a firing order that fires two cylinders within 90 degrees of each other on the same bank of cylinders. With a firing order of 1-8-4-3-6-5-7-2, we have #8 and #4 firing on the starboard side of the engine within 90 degrees of crankshaft rotation. On the port side, we have #5 and #7 firing within 90 degrees of crankshaft rotation of each other. Of course, this also means that the exhaust gases for these cylinders immediately discharge into the exhaust manifold one after the other.

At this point, when the two cylinders fill the manifold in immediate succession, the exhaust manifold becomes overwhelmed with exhaust gases, creating excessive back pressure. In fact, excessive backpressure from an overwhelmed exhaust system will not only keep spent gases from leaving the cylinder head exhaust port, but in certain ports, exhaust gases from adjacent cylinders may find their way back in.

The solution is to isolate each *exhaust gas pulse* for as long as possible in the exhaust manifold. There are aftermarket manifold manufacturers that go to great lengths to isolate each exhaust pulse the full length of the manifold, and there are some that barely address the problem at all. Choosing a high performance manifold that isolates each runner is the key to building horsepower with the exhaust system.

MerCruiser

GM V8 SMALL BLOCK EXHAUST SYSTEM EVALUATION



***If properly designed, it can achieve this by two ways:
Separating Exhaust Gas Pulses and Lowering Back Pressure.***

Separating Exhaust Gas Pulses Continued...

Because the starboard side of the engine fires #4 and #8 in succession, there is a cylinder (#6) separating the two. Dividing this manifold into two different sections by grouping #2 and #4 in the front half of the manifold and #6 and #8 into the back half of the manifold works relatively well in isolating the #4 and #8 cylinders. On the port side of the engine we have a problem: The #5 and #7 cylinders that fire in succession are next to each other.

Dividing the port manifold into a front half and a back half groups cylinders #1 and #3 together (which is okay), but groups #5 and #7 together (which is definitely not okay). This is exactly what we are trying to prevent! The correct way to build the port side manifold is to isolate the exhaust gases from cylinders #5 and #7 all the way to the manifold exit.

Lowering Back Pressure

Lowering back pressure in the exhaust manifold is a combination of isolating the exhaust pulses as discussed in the previous section, and simply making the exhaust system larger. Some techniques for *lowering back pressure* include: large passages in the exhaust manifolds, a large exit hole out of the manifold, a large exhaust pipe and large radius curves in the pipe wherever the exhaust gases have to change direction.”

MerCruiser

GM V8 BIG BLOCK EXHAUST SYSTEM EVALUATION



Separating Exhaust Gas Pulses

All V8 engines have a firing order that fires two cylinders within 90 degrees of each other on the same bank of cylinders. With a firing order of 1-8-4-3-6-5-7-2 we have #8 and #4 firing on the starboard side of the engine within 90 degrees of crankshaft rotation of each other. Of course, this also means that the exhaust gases for these cylinders immediately discharges into the exhaust manifold one after the other. It is at this point, when the two cylinders fill the manifold in immediate succession, that the exhaust manifold becomes overwhelmed with exhaust gases, creating excessive back pressure. In fact, these two cylinders on each bank firing in succession, not only create excessive back pressure in the manifold, but all the way down the exhaust pipe. Excessive back pressure from an overwhelmed exhaust system will not only keep spent gases from leaving the cylinder head exhaust port, but in certain ports, exhaust gases from adjacent cylinders may find their way back in.

The solution is to isolate each exhaust gas pulse as much as possible for as long as possible in the exhaust manifold. There are aftermarket manifold manufacturers that go to great lengths to isolate each exhaust pulse the full length of the manifold and there are some that barely address the problem at all.

Divided Exhaust Manifolds

Because the starboard side of the engine fires cylinders 4 & 8 in succession, there is a cylinder (#6) separating the two. Dividing this manifold into two different sections by grouping cylinder #2 and #4 in the front half of the manifold, and #6 and #8 into the back half of the manifold with a divider, works relatively well in isolating cylinders #4 and #8. On the port side of the engine, we have a problem. The cylinders that fire in succession, 5&7, are next to each other. Dividing the port manifold into a front half and back half groups cylinder 1&3 together (which is okay) but also groups cylinder 5&7 together (definitely not okay). This is exactly what we are trying to prevent. The correct way to build the port side manifold is to isolate the exhaust gases from cylinders 5&7 all the way to the manifold exit. This can not be done with a simple divider in the middle of the manifold.

Lowering Back Pressure

Lowering back pressure in the exhaust manifold is a combination of isolating the exhaust pulses as discussed in the previous paragraph and simply making the exhaust system larger. Large passages in the exhaust manifolds, a large exit hole out of the manifold, a large exhaust pipe and large radius curves in the pipe wherever the exhaust gases have to change direction are the secrets to lowering back pressure.”



Section 2

OMC Exploded Views, Gaskets & Components

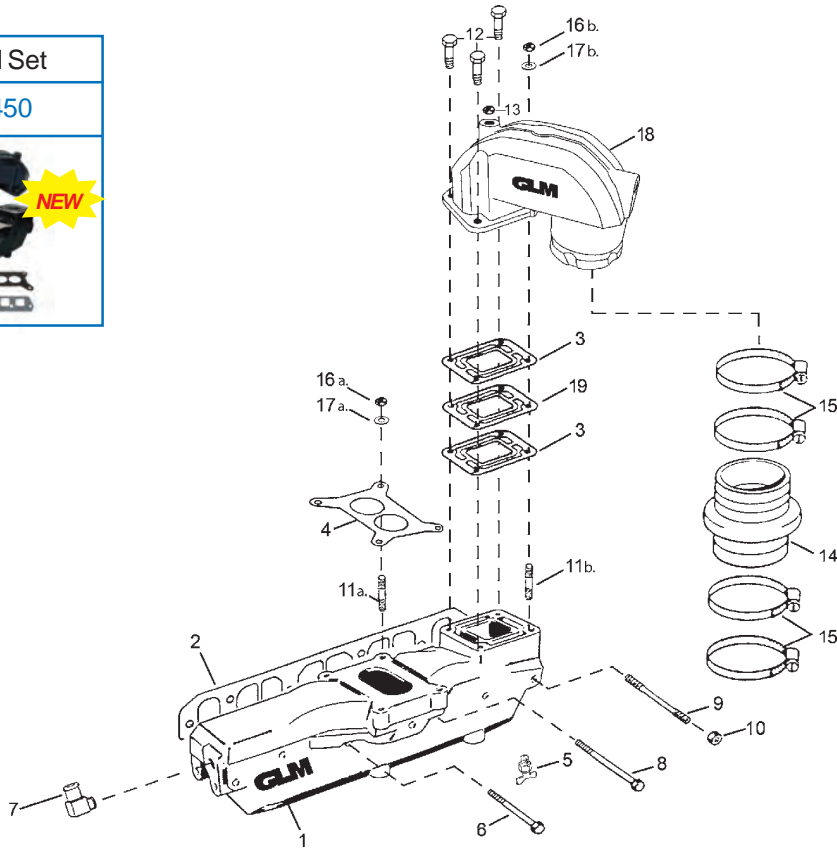
<i>4-Cylinder - 181 CID (1991 & Up)</i>	48
<i>4-Cylinder - 181 CID (1973-90)</i>	49
<i>V6 - 262 CID (1986 & Up)</i>	50
<i>V8 S.B. - GM 350 CID (1989 & Up)</i>	51
<i>V8 S.B. - 305/350 CID (1979-89)</i>	52
<i>V8 B.B. - GM 454/502 CID (1991 & Up)</i>	53
<i>V8 S.B. - Conversion Kit for FORD 302/351 CID (1991 & Up)</i>	54
<i>V8 S.B. - FORD 302/351 CID (1991 & Up)</i>	55
<i>V6 & V8 S.B. Exhaust Manifold Dimensions</i>	56
<i>V8 S.B. & V8 B.B. Exhaust Manifold Dimensions</i>	57
<i>Complete Exhaust Manifold Kits / Hi-Rise Elbow Manifold Kits</i> ...	58
<i>Conversion Kits & Exhaust Manifold Gasket/Hardware Kits</i>	59
<i>Exhaust Flapper Valves, Exhaust Bellows/Hoses</i>	60

OMC

MODEL 3.0/3.0 H.O. - GM 181 CID, 4-CYL. (1991 & UP)



20



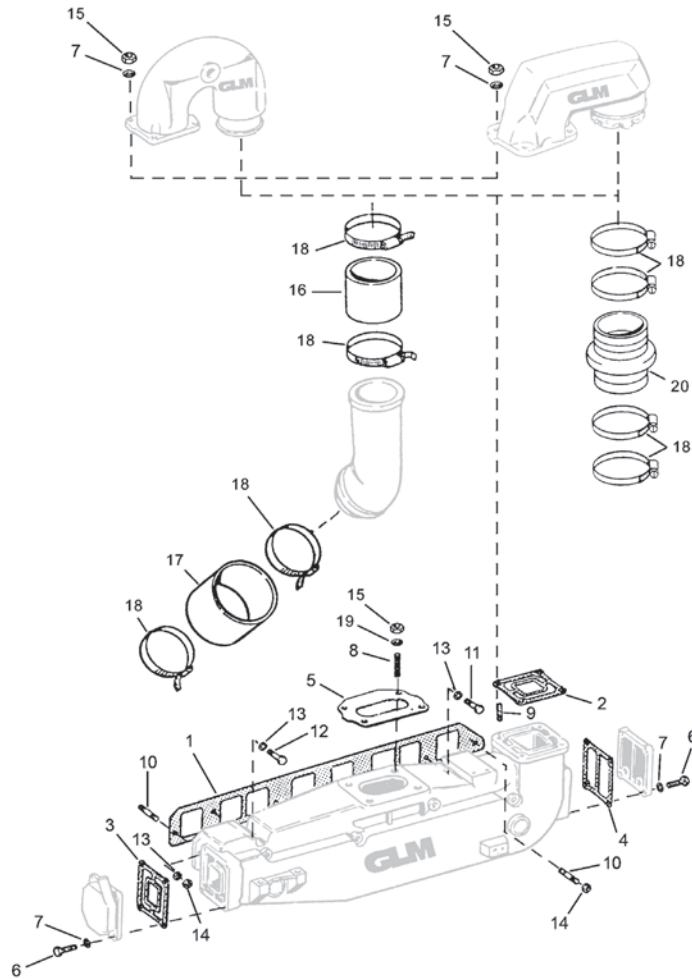
Ref No.	GLM No.	OEM No.	Description	Qty.
1	51450	3858870	Exhaust Manifold - Cast Iron	1
2*	33580	3853256	Gasket - Exhaust Manifold	1
3*	33770	3850495	Gasket - Exhaust Elbow	2
4*	30382	3853283	Gasket - Carburetor	1
5*	13993	82745	Drain Cock	1
6	22315	3853430	Screw	3
7*	13970	3852538	Elbow Fitting - Exhaust Manifold	1
8	21757	3853431	Screw	1
9	22488	3853378	Stud - Exhaust Manifold	2
10	21248	3853404	Locknut	2
11a.	22482	3853373	Stud - Carburetor	4
11b.	22482	3853373	Stud - Exhaust Manifold	1
12	21753	3853397	Screw - Exhaust Elbow	3
13	21887	22-36382	Plug	2
14	89222	3852741	Exhaust Hose	1
15	01090	3852604	Clamp	4
16a.	19354	11-862902	Nut - Carburetor	4
16b.	19354	11-862902	Nut - Exhaust Manifold	1
17a.	21664	12-20084	Washer - Carburetor	4
17b.	21664	12-20084	Washer - Exhaust Manifold	1
18	51340	3863071	Exhaust Elbow	1
19	50007	3853628	Restrictor	1
20	58450	-	Manifold Set	1

* Included with Manifold No. 51450



OMC

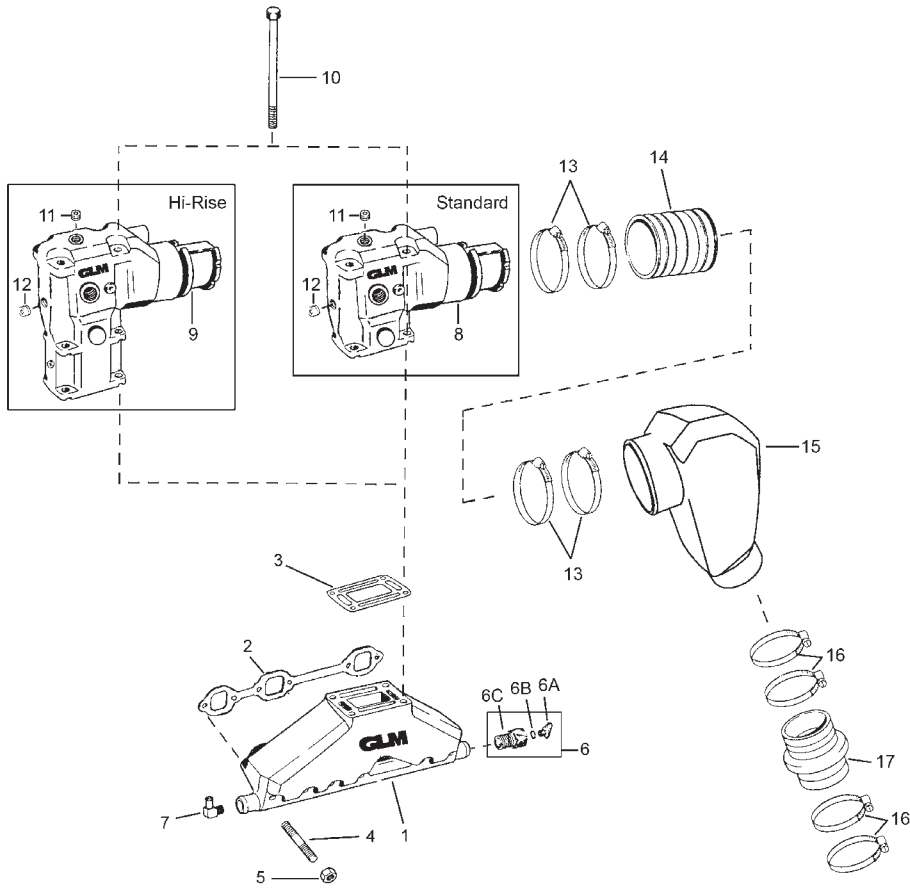
MODEL 140 - GM 181 CID, 3.0L, 4-CYL. (1973-90)



Ref No.	GLM No.	OEM No.	Description	Qty.
1	31570	908079	Gasket - Exhaust Manifold	1
2	33770	3850495	Gasket - Exhaust Elbow	1
3	33330	311121	Gasket - End Cap	1
4	32580	907761	Gasket - End Cap	1
5	34700	315055	Gasket - Carburetor	1
6	22362	317624	Screw - End Cap	1
7	21496	306470	Lockwasher	1
8	22482	3853373	Stud - Carburetor	8
9	22483	310870	Stud - Exhaust Elbow	12
10	22484	3852093	Stud - Exhaust Manifold	4
11	22399	907891	Screw	4
12	22376	201809	Screw	2
13	21493	3852002	Lockwasher	1
14	21160	552938	Nut	3
15	21249	316355	Nut	1
16	89221	909232	Exhaust Hose	1
17	89223	909371	Exhaust Hose	8
18	01090	3852604	Clamp	1
19	21494	-	Washer	1
20	89222	3852741	Exhaust Hose	4

OMC

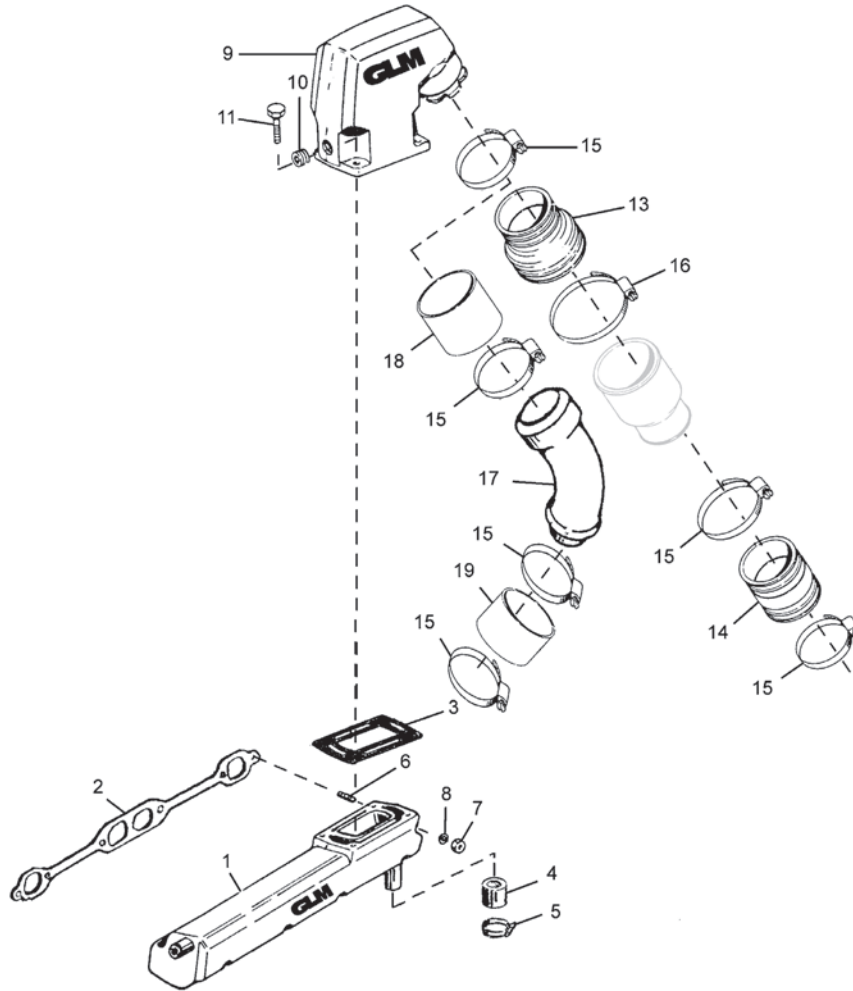
MODEL 4.3L - GM 262 CID, V6 (1986 & UP)



Ref No.	GLM No.	OEM No.	Description	Qty.
1	51480	3857656	Exhaust Manifold Assembly	1
2*	32170	3853412	Gasket - Exhaust Manifold	1
3*	33810	909786	Gasket - Exhaust Elbow	1
4	22487	3852467	Stud	6
5	21248	3853404	Nut	6
6*	13982	-	Straight Fitting	1
6A*	13992	806608A02	Drain Plug Kit	1
6B*	80140	304174	O-Ring	1
6C*	13983	-	Straight Fitting	1
7*	13970	3852538	Elbow Fitting	1
8	51330	3857944	Standard Exhaust Elbow Assembly	1
9	51337	3862627	Hi-Rise, Single-Piece Exhaust Elbow Assembly	1
10	22398	3852830	Screw	4
11	22379	-	Plug	1
12	21896	315713	Plug	1
13	01100	3853860	Clamp	4
14	89224	3852696	Exhaust Hose	1
15	50790	3853372	Exhaust Tube	1
16	01090	3852604	Clamp	4
17	89222	3852741	Exhaust Hose	1
* Included with Manifold No. 51480				

OMC

MODEL 800 SERIES - GM 305/350 CID, V8 S.B. (1979-88)



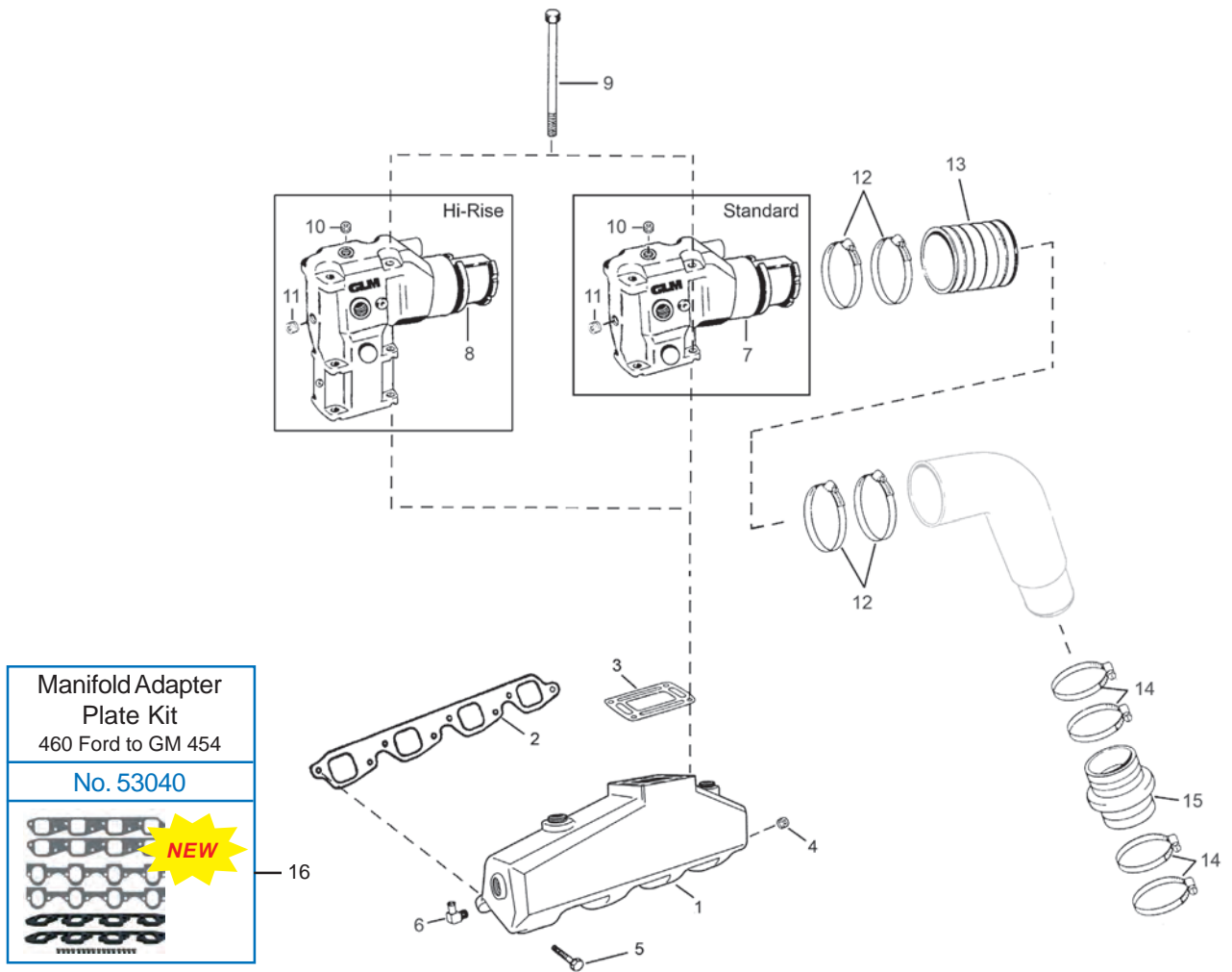
Ref No.	GLM No.	OEM No.	Description	Qty.
1	51410	912441	Exhaust Manifold Assembly - STBD	1
1	51420	912442	Exhaust Manifold Assembly - PORT	1
2*	31100	3852468	Gasket - Exhaust Manifold	1
3*	33810	909786	Gasket - Exhaust Elbow	1
4	22280	764799	Cap	1
5	21791	3853786	Clamp	1
6	22487	3852467	Stud	6
7	21248	3853404	Nut	6
8	21493	309336	Lockwasher	6
9	51320	909863	Exhaust Elbow Assembly	1
10	21896	315713	Plug	1
11	21753	3853397	Screw	4
13	89220	912374	Exhaust Hose (Cobra)	1
14	89230	3852742	Exhaust Hose (Cobra)	1
15	01090	3852604	Clamp	3&4
16	01200	984387	Clamp	1
17	50730	909609	Elbow Tube - STBD (Stringer Mount)	1
17	50740	909610	Elbow Tube - PORT (Stringer Mount)	1
18	89221	909232	Exhaust Hose	1
19	89223	909371	Exhaust Hose	1

* Included with Manifolds No. 51410 & 51420



OMC

MODEL 7.4/8.2L - V8 B.B., GM 454/502 CID (1991 & UP)



Ref No.	GLM No.	OEM No.	Description	Qty.
1	51500	3861459	Exhaust Manifold	1
2*	33760	3852472	Gasket - Exhaust Manifold	1
3*	33810	909786	Gasket - Exhaust Elbow	1
4*	21874	-	Plug	1
5	21755	3853326	Screw 3/8 - 16 x 1 1/4 Flange	8
6*	13970	3852538	Elbow Fitting	1
7	51330	3857944	Standard Exhaust Elbow Assembly	1
8	51337	3862627	Hi-Rise Single-Piece Exhaust Elbow Assembly	1
9	22398	3852830	Screw	4
10	22379	-	Plug	1
11	21896	315713	Plug	1
12	01100	3853860	Clamp	4
13	89224	3852696	Exhaust Hose	1
14	01090	3852604	Clamp	4
15	89222	3852741	Exhaust Hose	1
16	53040	N/A	Manifold Adapter Plate Kit for Ford 460 to GM 454	1
* Included with Manifold No. 51500				

CONVERT YOUR V8 S.B. LOG STYLE MANIFOLDS TO CENTER RISE MANIFOLDS



With GLM Conversion Kits
No. 58497 (5.8L) & No. 58498 (5.0L)



GLM's Manifold Conversion Kit is designed to convert all Log Style Exhaust Manifolds to the Center Rise Manifolds on V8 S.B. 5.0L & 5.8L Engines with FORD 302/351 CID Blocks from 1991 & Up.

No. 58497 Kit Contains:

- 1 GLM No. 58490 Complete Set Two-piece Exhaust Manifolds and 4" Risers (includes gaskets)
- 2 GLM No. 89224 Exhaust Hose
- 2 GLM No. 89222 Exhaust Hose
- 2 GLM No. 50700 Exhaust Tube for 5.8L
- 8 GLM No. 01100 & 01090 Hose Clamps

No. 58498 Kit Contains :

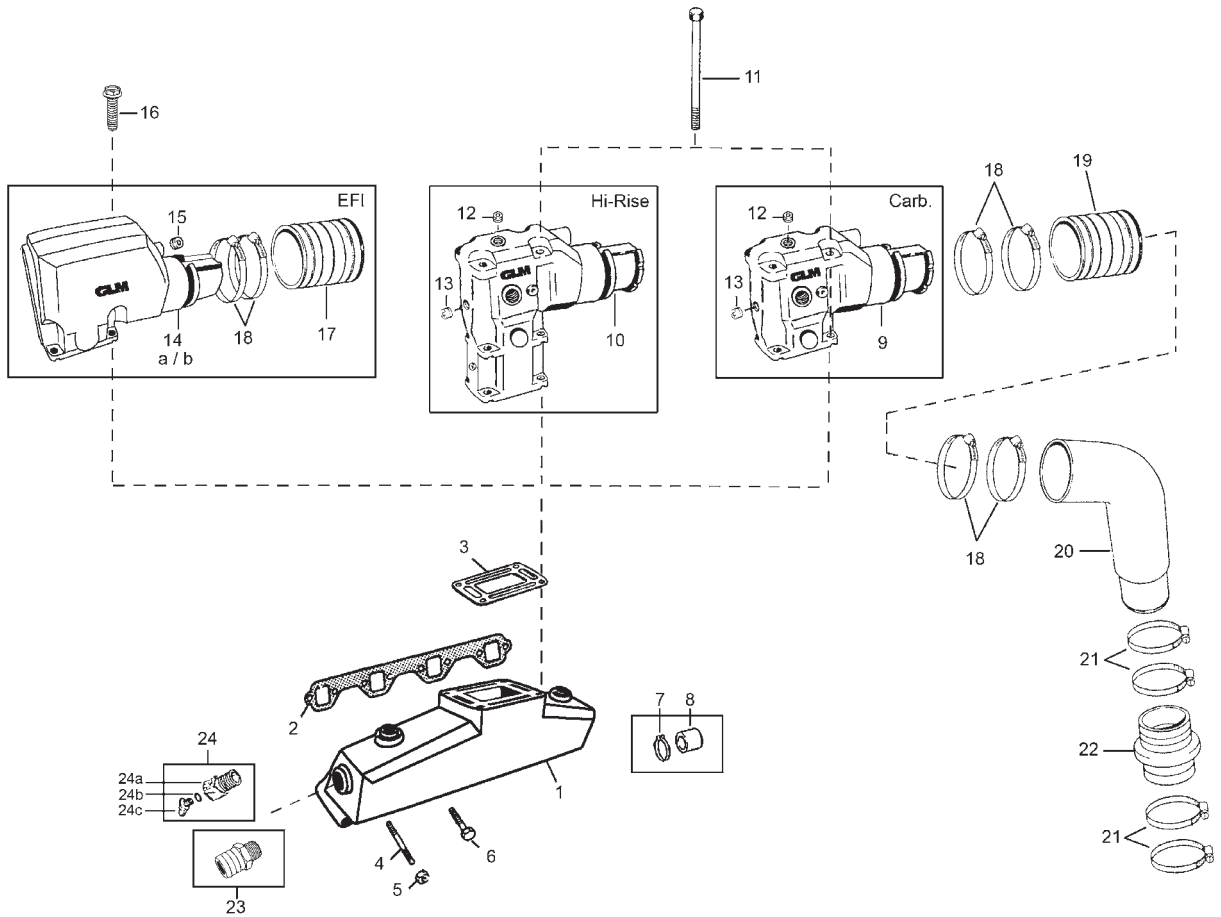
- 1 GLM No. 58490 Complete Set Two-piece Exhaust Manifolds and 4" Risers (includes gaskets)
- 2 GLM No. 89224 Exhaust Hose
- 2 GLM No. 89222 Exhaust Hose
- 2 GLM No. 50800 Exhaust Tube for 5.0L
- 8 GLM No. 01100 & 01090 Hose Clamps

Comes with All the Hardware to Complete the Conversion Right!

GLM
www.glmmarine.com

OMC

MODEL 5.0/5.8L/5.8 & 351 KING EFI - V8, FORD 302/351 CID (1991 & UP)



Ref No.	GLM No.	OEM No.	Description	Qty.	Ref No.	GLM No.	OEM No.	Description	Qty.
1	51490	3852347	Exhaust Manifold Assembly	1	17	89229	3853608	Exhaust Hose (1993-96 EFI)	1
2*	33790	3852455	Gasket - Exhaust Manifold	1	18	01100	3853860	Clamp	4
3*	33810	909786	Gasket - Exhaust Elbow	1	19	89224	3852696	Exhaust Hose (1998-96 Carb.)	1
4	22486	3853434	Stud	5	20	50700	3853386	Exhaust Tube (5.8L)	1
5	21248	3853404	Nut	5	20	50800	3853384	Exhaust Tube (5.0L)	1
6	21755	3853155	Screw	3	21	01090	3852604	Clamp	4
7	01071	912627	Clamp (For OEM Design)	1	22	89222	3852741	Exhaust Hose	1
8	22290	3852476	Cap (For OEM Design)	1	23*	13985	N/A	Straight Fitting	1
9	51330	3857944	Ex. Elbow Assembly ('88-96 Carb.)	1	24*	13982	N/A	Straight Fitting Kit	1
10	51337	3862627	Hi-Rise Single-Piece Ex. Elbow	1	24a*	13983	-	Reducer	1
11	22398	3852830	Screw (Carb.)	4	24b*	80140	304174	O-Ring	1
12	22379	-	Plug (Carb)	1	24c*	13992	806608A02	Drain Plug Kit	1
13	21896	315713	Plug (Carb)	1					
14a.	51332	3855271	Ex. Elbow Assy. - PORT ('93-96 EFI)	1					
14b.	51334	3855269	Ex. Elbow Assy. - STBD ('93-96 EFI)	1					
15	21889	-	Plug (EFI)	1					
16	21755	3853326	Screw (EFI)	4					

* Included with Manifold No. 51490

V6 & V8 S.B. EXHAUST MANIFOLD DIMENSIONS

V6 (1986 & Up)

No. 51330

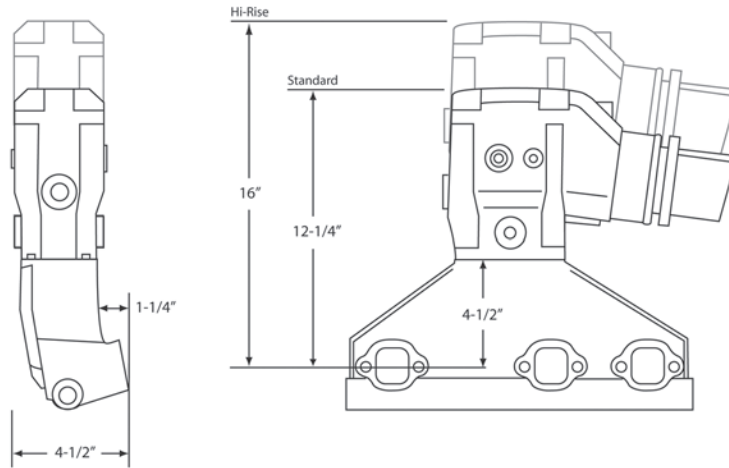
EXHAUST ELBOW (Standard)
OEM: 3857944

No. 51337

EXHAUST ELBOW (Hi-Rise)
OEM: 3862627

No. 51480

EXHAUST MANIFOLD
OEM: 3857656



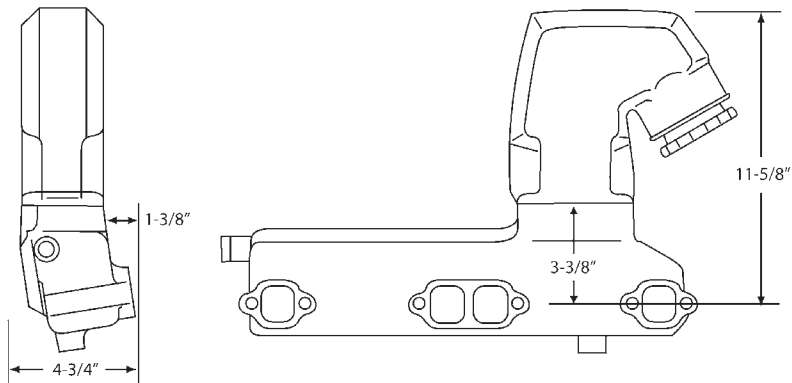
V8 S.B. (1979-88)

No. 51320

EXHAUST ELBOW
OEM: 909863

No. 51410

EXHAUST MANIFOLD
OEM: 912441



V8 S.B. (1989 & Up)

No. 51330

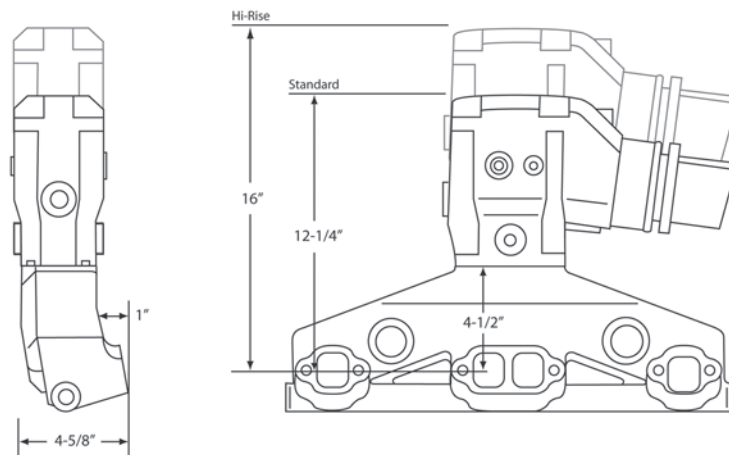
EXHAUST ELBOW (Standard)
OEM: 3857944

No. 51337

EXHAUST ELBOW (Hi-Rise)
OEM: 3862627

No. 51430

EXHAUST MANIFOLD
OEM: 3857723



V8 S.B. & V8 B.B. EXHAUST MANIFOLD DIMENSIONS

V8 S.B. (1991 & Up)

No. 51330

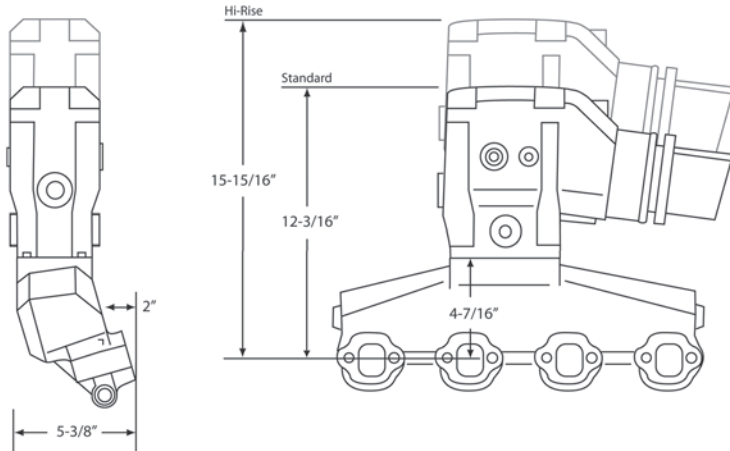
EXHAUST ELBOW (Standard)
OEM: 3857944

No. 51337

EXHAUST ELBOW (Hi-Rise)
OEM: 3862627

No. 51490

EXHAUST MANIFOLD
OEM: 3852347



V8 S.B. (1991 & Up)

No. 51332

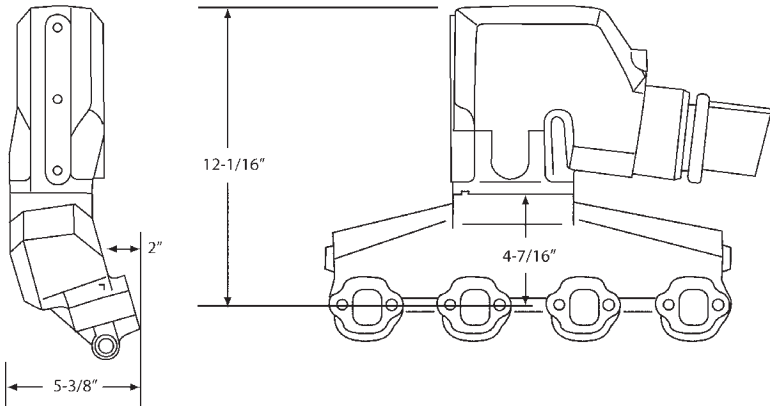
EXHAUST ELBOW - EFI (Port)
OEM: 3855271

No. 51334

EXHAUST ELBOW - EFI (Starboard)
OEM: 3855269

No. 51490

EXHAUST MANIFOLD
OEM: 3852347



V8 B.B. (1991 & Up)

No. 51330

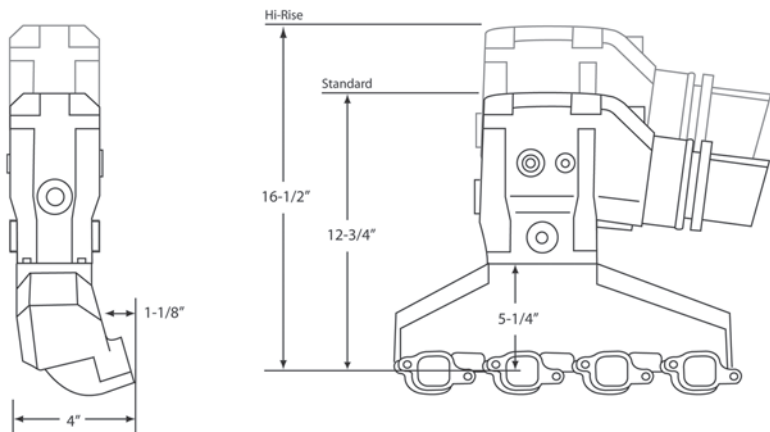
EXHAUST ELBOW (Standard)
OEM: 3857944

No. 51337

EXHAUST ELBOW (Hi-Rise)
OEM: 3862627

No. 51500

EXHAUST MANIFOLD
OEM: 3861459



COMPLETE EXHAUST MANIFOLD KITS

No. 58480

OEM: N/A



GM V6 262 CID (1991 & Up)

No. 58410

OEM: N/A



GM V8 305/350 CID (1979-89)

No. 58430

OEM: N/A



GM V8 305/350 CID (1990 & Up)

No. 58490

OEM: N/A



FORD V8 302/351 CID (Carb. Engine)

No. 58491

OEM: N/A



FORD V8 302/351 CID (EFI Engine)

No. 58500

OEM: N/A



GM V8 454/502 CID (1991 & Up)

Exhaust Manifold Kits w/ Hi-Rise Single-Piece Elbow

No. 58487

OEM: N/A



GM V6 262 CID (1991 & Up)

No. 58437

OEM: N/A



GM V8 305/350 CID (1990 & Up)

No. 58492

OEM: N/A



FORD V8 302/351 CID (Carb. Engine)

No. 58507

OEM: N/A



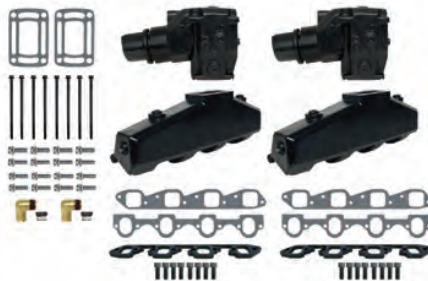
GM V8 454/502 CID (1991 & Up)

Complete Manifold Set with Adapter Plate

No. 58930

OEM: N/A

Ford 460 to GM 454



OMC

CONVERSION KITS

No. 58995

OEM: N/A

Single-piece
Manifolds
to 4"
Center Rise
Manifolds



V6 4.3L GM 262 CID
(1986-1990)

No. 58497

OEM: N/A

NEW
Log Style
Manifolds to
Center Rise
Manifolds



FORD V8 S.B. (5.8L)

No. 58498

OEM: N/A

NEW
Log Style
Manifolds to
Center Rise
Manifolds

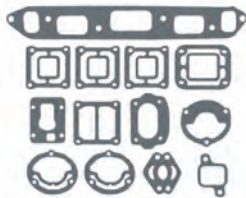


FORD V8 S.B. (5.0L)

EXHAUST MANIFOLD GASKET & HARDWARE KITS

No. 39780

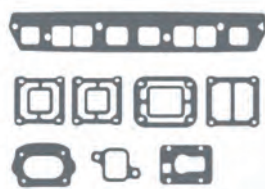
W/OUT HARDWARE



GM 2.5L 153 CID (1965-1985)

No. 39790

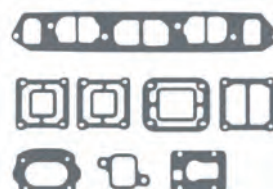
W/OUT HARDWARE



GM 3.0L 140 HP (1973-1986)

No. 39770

W/OUT HARDWARE

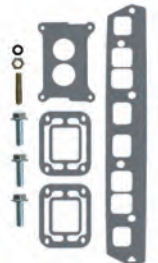


GM 2.5L/3.0L (1985-1988)

No. 53772

W/ HARDWARE

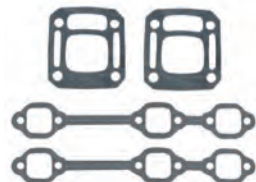
No. 39771
W/OUT
HARDWARE



GM 3.0L 181 CID (1991 & Up)

No. 39772

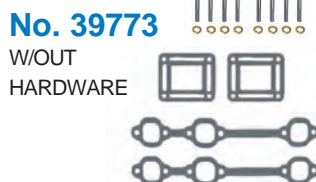
W/OUT HARDWARE



GM V6 3.8L 229 CID (1981-1986)

No. 53773

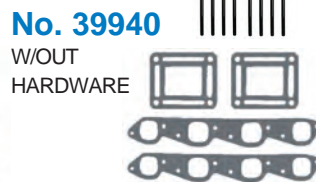
W/ HARDWARE



GM V6 4.3L 262 CID (1991 & Up)

No. 53940

W/ HARDWARE



GM V8 454/502 CID

No. 50040

ADAPTER PLATE

NEW



Ford 460 to GM 454

No. 53910

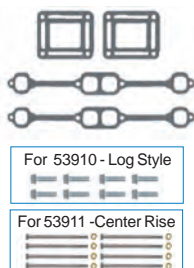
W/ HARDWARE

No. 53911

W/ HARDWARE

No. 39910

W/OUT HARDWARE



GM V8 Small Block

No. 53920

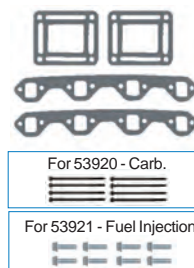
W/ HARDWARE

No. 53921

W/ HARDWARE

No. 39920

W/OUT HARDWARE



FORD V8 302/351 CID

No. 53040

MANIFOLD
ADAPTER
PLATE KIT

NEW



Ford 460 to GM 454

OMC

EXHAUST FLAPPER VALVES

No. 89240

3 INCH
OEM: 34765A1
(with Clamps)



No. 89250

4 INCH
OEM: 12644A1
(with Clamps)



4 Inch

No. 89260

5 & 6 INCH
OEM: N/A
(with Clamps)



5 & 6 Inch

EXHAUST BELLOWS / HOSES

No. 89220

EXHAUSTHOSE - UPPER
OEM: 912374



7.5 460 (1987),
5.0/5.8 Ford (1989-90)
5.7 (Late 1986), 5.7 (1987-88)

No. 89221

EXHAUSTHOSE - UPPER
OEM: 909232



175-235 HP
(1977-86)

No. 89222

EXHAUSTHOSE - LOWER
OEM: 3852741



2.5 (1986), 3.0 (1986-91)
2.3 (1989-90), 4.3 (1990-91)
5.0/5.8 Ford (1991), 5.7 (early 1986)

No. 89223

EXHAUSTHOSE - LOWER
OEM: 909371



175-235 HP
(1977-86)

No. 89224

EXHAUSTHOSE - UPPER
OEM: 3852696



4.3 (1991), 5.0/5.8 Ford (1991)
7.5 460 (1988-89),
5.7LE (1990-91),
All Cone Clutch (1990-91)

No. 89229

EXHAUSTHOSE
OEM: 3853608



5.0/5.8 EFI
(1993-96)

No. 89230

EXHAUSTHOSE - LOWER
OEM: 3852742



2.3 (1987-88), 4.3 (1987),
5.0/5.8 Ford (1989-90),
5.7 (late 1986), 5.7 (1987-91),
ALL Cone Clutch (1990-91),
350/454/454HO/460 King,
5.7 LE (1990-91)

SUS 316 Hose Clamps

No. 01090

OEM: 3852604
For Bellow 89920 (small side),
89221, 89222, 89223, 89230

No. 01100

OEM: 3853860
For Bellow 89224, 89229

No. 01200

OEM: 984387
For Bellow 89220 (large side)



Section 3

Volvo Penta Exploded Views, Gaskets & Components

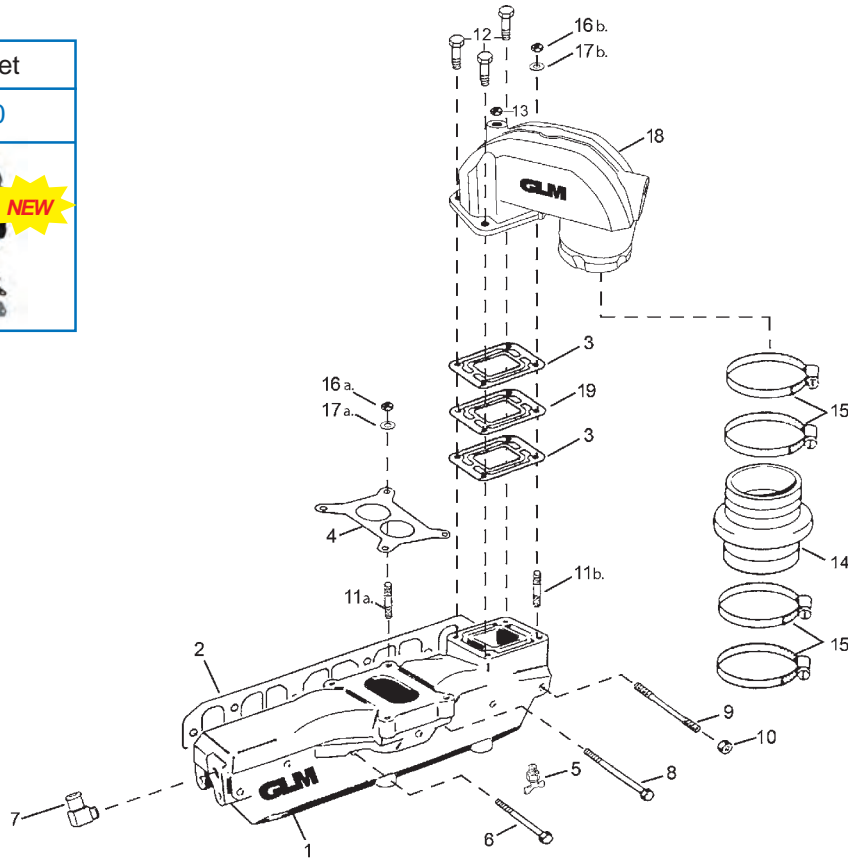
<i>4-Cylinder - 181 CID (1994 & Up)</i>	62
<i>V6 - AQ 175-434 (1993 & Before)</i>	63
<i>V6 - 262 CID (1994 & Up)</i>	64
<i>V8 S.B. - 305/350 CID (1994 & Up)</i>	65
<i>V8 S.B. - 305/350 CID (1993 & Before)</i>	66
<i>V8 S.B. - FORD 302/351 CID (1994 & Up)</i>	67
<i>V8 B.B - 454/502 CID (1994 & Up)</i>	68
<i>V6 & V8 S.B. Exhaust Manifold Dimensions</i>	69
<i>V8 S.B. & V8 B.B. Exhaust Manifold Dimensions</i>	70
<i>Complete Exhaust Manifold Kits / Hi-Rise Elbow Manifold Kits ...</i>	71
<i>Exhaust Manifold Gasket & Hardware Kits</i>	72
<i>Exhaust Bellows & Exhaust Flapper Valves</i>	72

Volvo Penta

MODEL 3.0GS - 181 CID, 4-CYL. (1994 & UP)



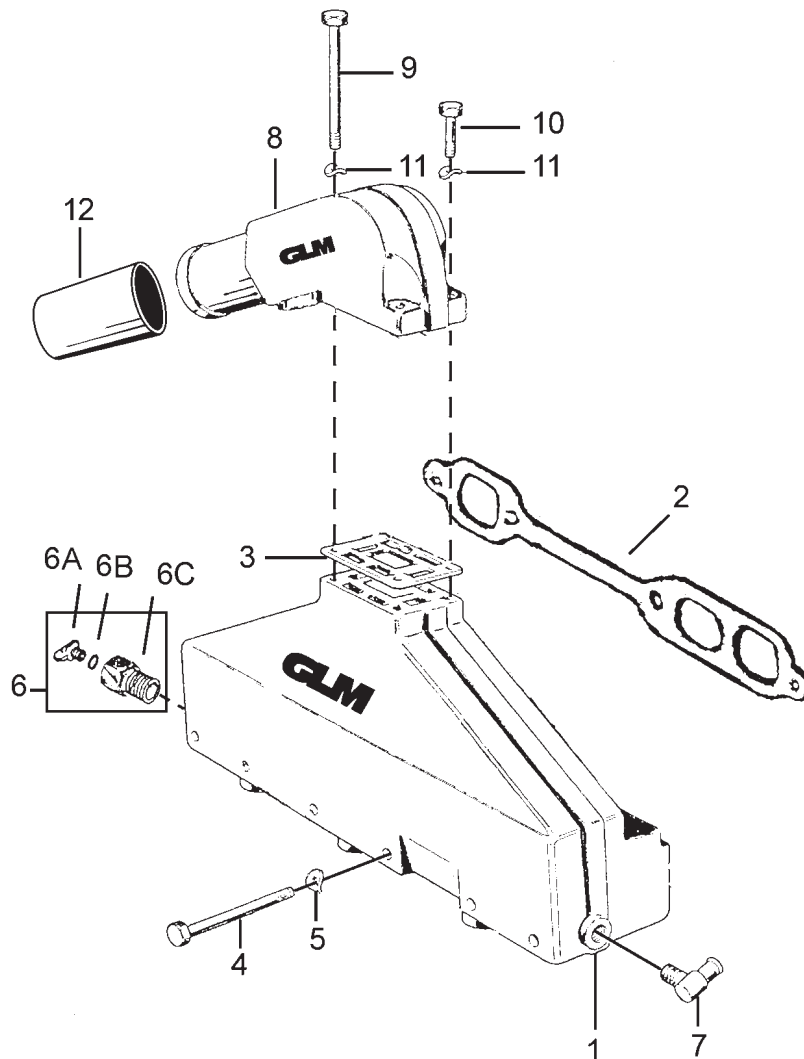
20



Ref No.	GLM No.	OEM No.	Description	Qty.
1	51450	3858870	Exhaust Manifold - Cast Iron	1
2*	33580	3853256	Gasket - Exhaust Manifold	1
3*	33770	3850495	Gasket - Exhaust Elbow	2
4*	30382	3853283	Gasket - Carburetor	1
5*	13993	82745	Drain Cock	1
6	22315	3853430	Screw	3
7*	13970	3852538	Elbow Fitting - Exhaust Manifold	1
8	21757	3853431	Screw	1
9	22488	3853378	Stud - Exhaust Manifold	2
10	21248	3853404	Locknut	2
11a.	22482	3853373	Stud - Carburetor	4
11b.	22482	3853373	Stud - Exhaust Manifold	1
12	21753	3853397	Screw - Exhaust Elbow	3
13	21887	22-36382	Plug	2
14	89222	3852741	Exhaust Hose	1
15	01090	3852604	Clamp	4
16a.	19354	11-862902	Nut - Carburetor	4
16b.	19354	11-862902	Nut - Exhaust Manifold	1
17a.	21664	12-20084	Washer - Carburetor	4
17b.	21664	12-20084	Washer - Exhaust Manifold	1
18	51340	3863071	Exhaust Elbow	1
19	50007	3853628	Restrictor	1
20	58450	-	Manifold Set	1
* Included with Manifold No. 51450				

Volvo Penta

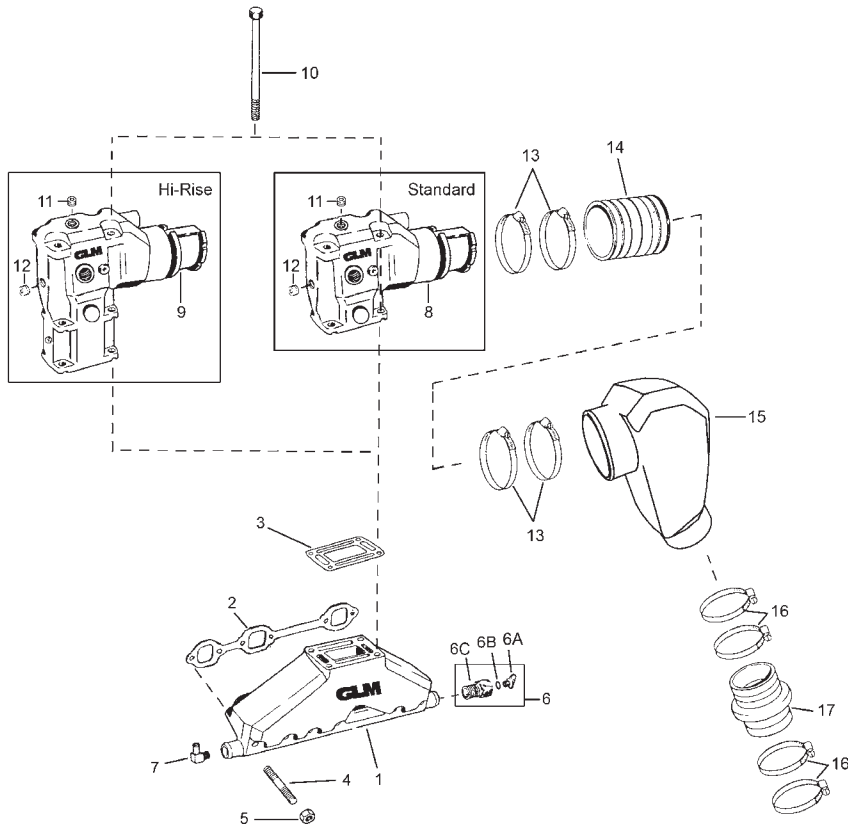
MODEL AQ175, AQ205, AQ430A/B, AQ432, AQ434 - GM V6 (1993 & BEFORE)



Ref No.	GLM No.	OEM No.	Description	Qty.
1	51640	856894	Exhaust Manifold	1
2*	32170	3853412	Gasket - Exhaust Manifold	1
3*	35080	857618	Gasket - Exhaust Elbow	1
4	22444	942547	Screw (3/8-16x5)	6
5	21726	942336	Washer	6
6*	13982	192154	Straight Fitting Kit	1
6A*	13992	22-806608A02	Drain Plug Kit	1
6B*	80140	-	O-Ring	1
6C*	13983	-	Reducer	1
7*	13970	3852538	Hose Fitting	1
8	51520	857037	Exhaust Elbow	1
9	22353	959796	Screw	2
10	22318	940136	Screw	2
11	21725	941907	Washer	4
12	89227	834751	Exhaust Hose - Upper	1
* Included with Manifold 51640				

Volvo Penta

MODEL 4.3L - GM 262 CID, V6 (1994 & UP)

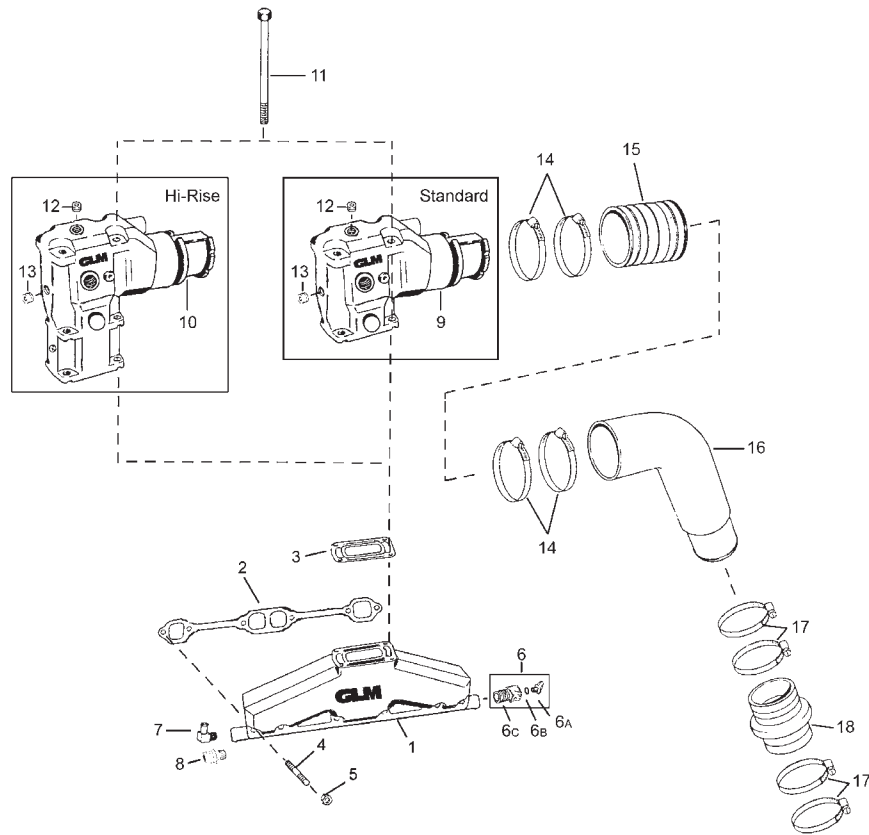


Ref No.	GLM No.	OEM No.	Description	Qty.
1	51480	3857656	Exhaust Manifold Assembly	1
2*	32170	3853412	Gasket - Exhaust Manifold	1
3*	33810	909786	Gasket - Exhaust Elbow	1
4	22487	3852467	Stud	6
5	21248	3853404	Nut	6
6*	13982	-	Straight Fitting	1
6A*	13992	806608A02	Drain Plug Kit	1
6B*	80140	304174	O-Ring	1
6C*	13983	-	Straight Fitting	1
7*	13970	3852538	Elbow Fitting	1
8	51330	3857944	Standard Exhaust Elbow Assembly	1
9	51337	3862627	Hi-Rise, Single-Piece Exhaust Elbow Assembly (1992-2006)	1
9	51336	3889964	Hi-Rise, Single-Piece Exhaust Elbow Assembly (2007 & Up)	1
10	22398	3852830	Screw	4
11	22379	-	Plug	1
12	21896	315713	Plug	1
13	01100	3853860	Clamp	4
14	89224	3852696	Exhaust Hose	1
15	50790	3853372	Exhaust Tube	1
16	01090	3852604	Clamp	4
17	89222	3852741	Exhaust Hose	1

* Included with Manifold No. 51480

Volvo Penta

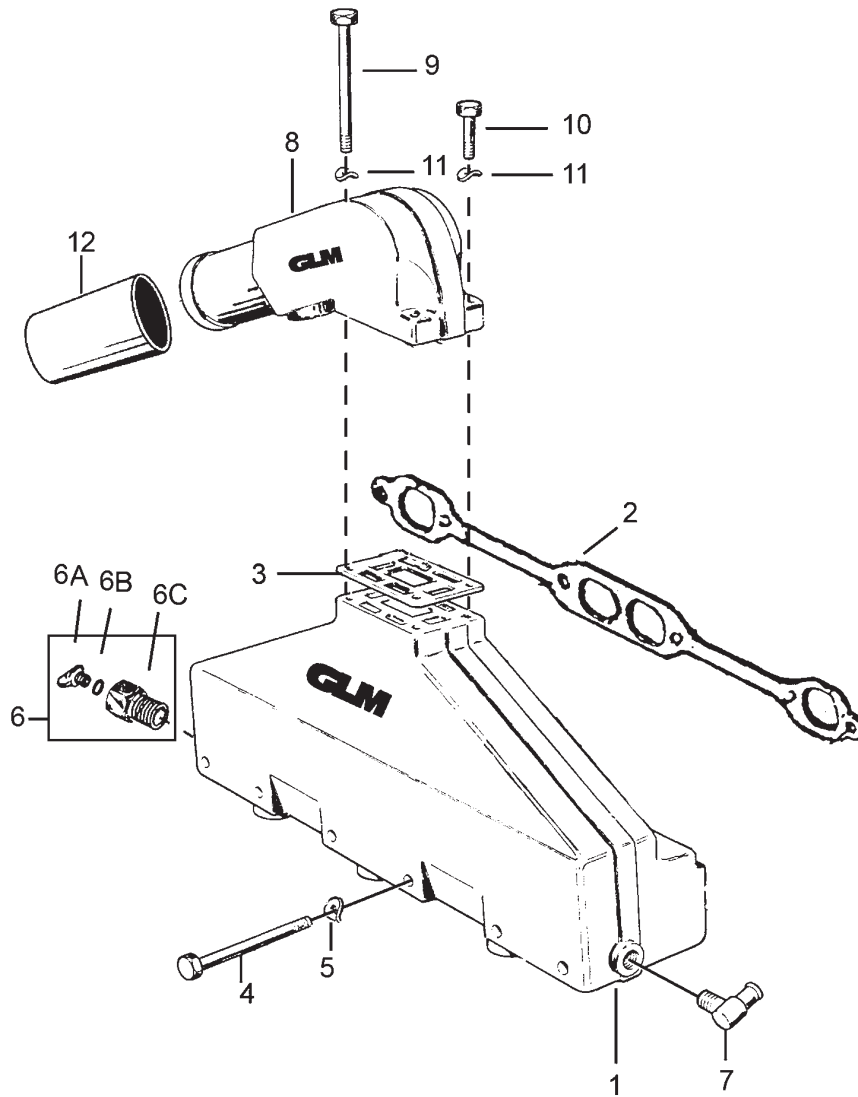
MODEL 5.0L/5.7L - GM 305/350 CID, V8 S.B. (1994 & UP)



Ref No.	GLM No.	OEM No.	Description	Qty.
1	51430	3857723	Exhaust Manifold Assembly	1
2*	31100	3852468	Gasket - Exhaust Manifold	1
3*	33810	909786	Gasket - Exhaust Elbow	1
4	22487	3852467	Stud	6
5	21248	3853404	Locknut	6
6*	13982	-	Straight Fitting Kit	1
6A*	13992	806608A02	Drain Plug Kit	1
6B*	80140	304174	O-Ring	1
6C*	13983	-	Reducer	1
7*	13970	3852538	Elbow Fitting	1
8*	13985	-	Straight Fitting	1
9	51330	3857944	Standard Exhaust Elbow Assembly	1
10	51337	3862627	Hi-Rise, Single-Piece Exhaust Elbow Assembly (1993-2006)	1
10	51338	3889965	Hi-Rise, Single-Piece Exhaust Elbow Assembly (2007 & Up)	1
11	22398	3852830	Screw	4
12	22379	-	Plug	1
13	21896	315713	Plug	1
14	01100	3853860	Clamp	4
15	89224	3852696	Exhaust Hose	1
16	50780	763891	Exhaust Tube	1
17	01090	3852604	Clamp	4
18	89222	3852741	Exhaust Hose	1
* Included with Manifold No. 51430				

Volvo Penta

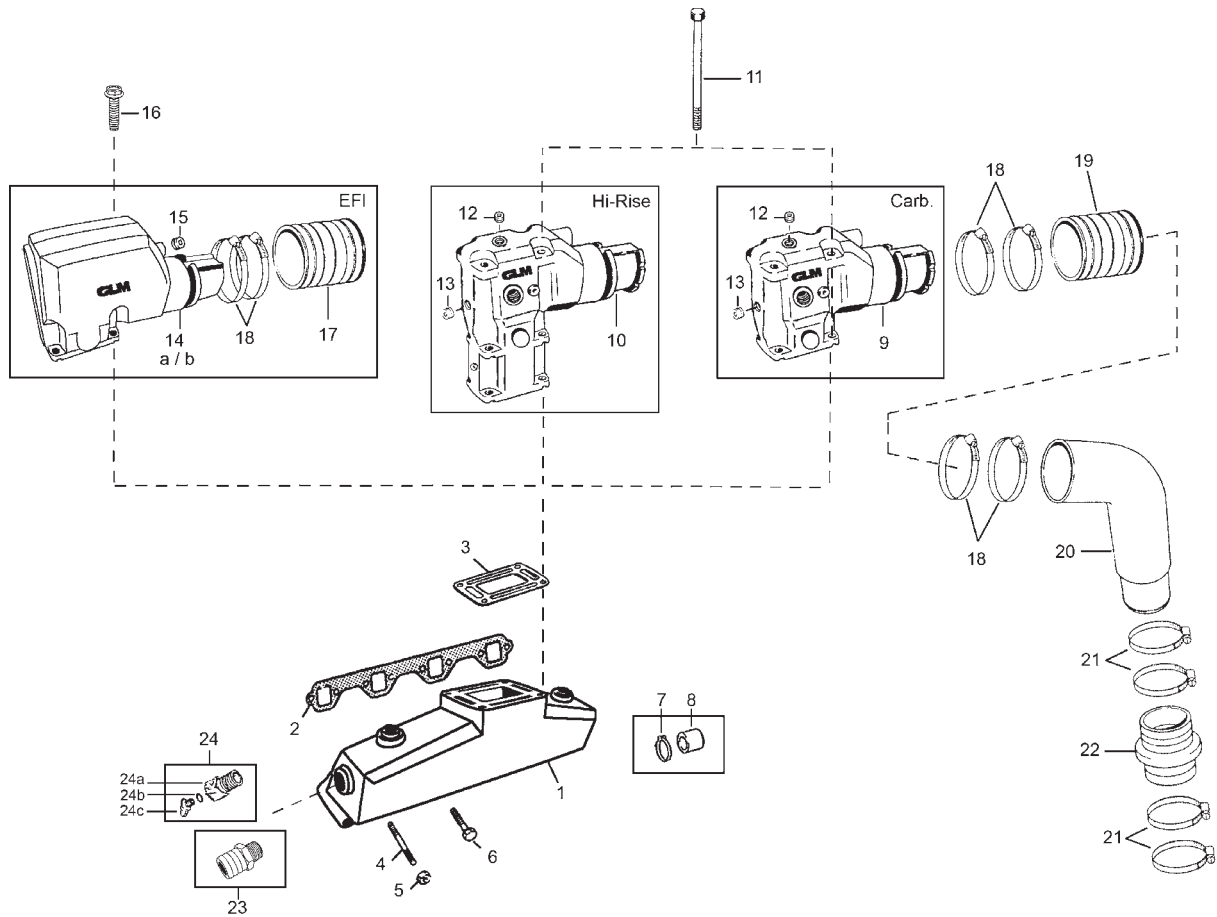
MODEL 5.0 & 5.7L - GM 305 / 350 CID, V8 S.B. (1993 & BEFORE)



Ref No.	GLM No.	OEM No.	Description	Qty.
1	51630	856883	Exhaust Manifold Assembly	1
2*	31100	3852468	Gasket - Exhaust Manifold	1
3*	35080	857618	Gasket - Exhaust Elbow	1
4	22444	942547	Screw (3/8-16x5)	6
5	21726	942336	Washer	6
6*	13982	-	Straight Fitting Kit	1
6A*	13992	22-806608A02	Drain Plug Kit	1
6B*	80140	-	O-Ring	1
6C*	13983	-	Reducer	1
7*	13970	3852538	Hose Fitting	1
8	51510	856891	Exhaust Elbow Assembly	1
9	22317	959794	Screw	2
10	22318	940186	Screw	2
11	21725	941907	Washer	4
12	89227	834751	Exhaust Hose - Upper	
* Included with Manifold No. 51630				

Volvo Penta

MODEL 5.0/5.8L & Fi/FSi - FORD 302/351 CID V8 S.B. (1994 & UP)

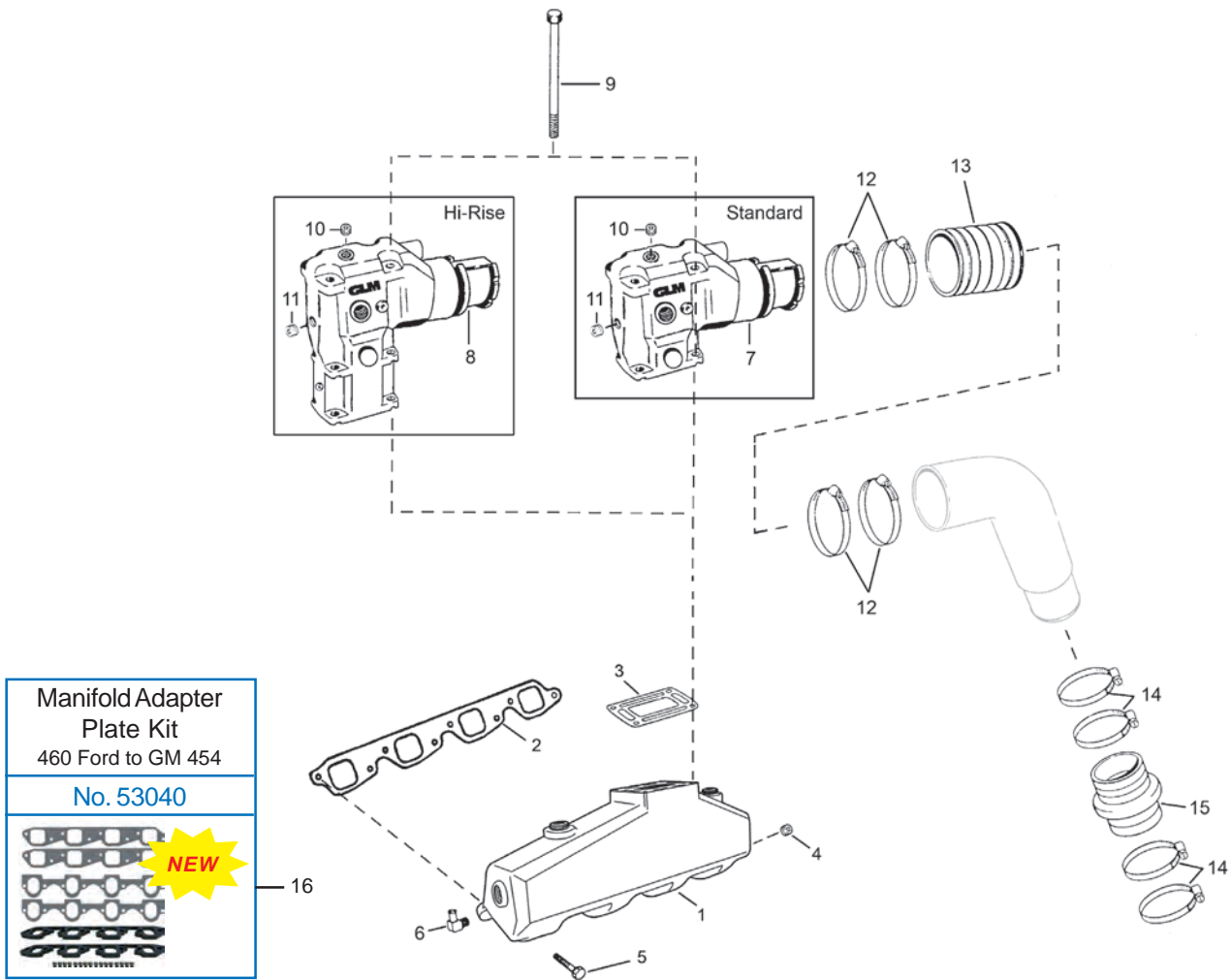


Ref No.	GLM No.	OEM No.	Description	Qty.	Ref No.	GLM No.	OEM No.	Description	Qty.
1	51490	3852347	Exhaust Manifold Assembly	1	17	89229	3853608	Exhaust Hose (1993-96 EFI)	1
2*	33790	3852455	Gasket - Exhaust Manifold	1	18	01100	3853860	Clamp	4
3*	33810	909786	Gasket - Exhaust Elbow	1	19	89224	3852696	Exhaust Hose (1998-96 Carb.)	1
4	22486	3853434	Stud	5	20	50700	3853386	Exhaust Tube (5.8L)	1
5	21248	3853404	Nut	5	20	50800	3853384	Exhaust Tube (5.0L)	1
6	21755	3853155	Screw	3	21	01090	3852604	Clamp	4
7	01071	912627	Clamp (For OEM Design)	1	22	89222	3852741	Exhaust Hose	1
8	22290	3852476	Cap (For OEM Design)	1	23*	13985	N/A	Straight Fitting	1
9	51330	3857944	Ex. Elbow Assembly ('88-96 Carb.)	1	24*	13982	N/A	Straight Fitting Kit	1
10	51337	3862627	Hi-Rise Single-Piece Ex. Elbow	1	24a*	13983	-	Reducer	1
11	22398	3852830	Screw (Carb.)	4	24b*	80140	304174	O-Ring	1
12	22379	-	Plug (Carb)	1	24c*	13992	806608A02	Drain Plug Kit	1
13	21896	315713	Plug (Carb)	1					
14a.	51332	3855271	Ex. Elbow Assy. - PORT ('93-96 EFI)	1					
14b.	51334	3855269	Ex. Elbow Assy. - STBD ('93-96 EFI)	1					
15	21889	-	Plug (EFI)	1					
16	21755	3853326	Screw (EFI)	4					

* Included with Manifold No. 51490

Volvo Penta

MODEL 7.4/8.2L - GM 454/502 CID V8 (1994 & UP)



Manifold Adapter
Plate Kit
460 Ford to GM 454
No. 53040

NEW

Ref No.	GLM No.	OEM No.	Description	Qty.
1	51500	3861459	Exhaust Manifold	1
2*	33760	3852472	Gasket - Exhaust Manifold	1
3*	33810	909786	Gasket - Exhaust Elbow	1
4*	21874	-	Plug	1
5	21755	3853326	Screw 3/8 - 16 x 1 1/4 Flange	8
6*	13970	3852538	Elbow Fitting	1
7	51330	3857944	Standard Exhaust Elbow Assembly	1
8	51337	3862627	Hi-Rise Single-Piece Exhaust Elbow Assembly	1
9	22398	3852830	Screw	4
10	22379	-	Plug	1
11	21896	315713	Plug	1
12	01100	3853860	Clamp	4
13	89224	3852696	Exhaust Hose	1
14	01090	3852604	Clamp	4
15	89222	3852741	Exhaust Hose	1
16	53040	N/A	Manifold Adapter Plate Kit for Ford 460 to GM 454	1

* Included with Manifold No. 51500

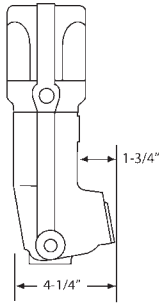
Volvo Penta

V6 & V8 S.B. EXHAUST MANIFOLD DIMENSIONS

V6 (1993 & Before)

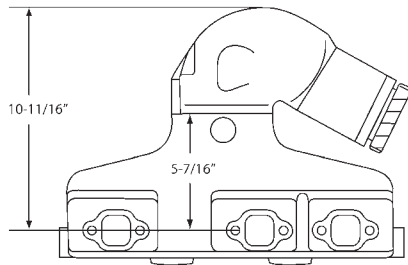
No. 51520

EXHAUST ELBOW
OEM: 857037-6



No. 51640

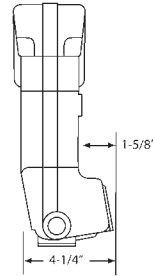
EXHAUST MANIFOLD
OEM: 856894



V8 S.B. (1993 & Before)

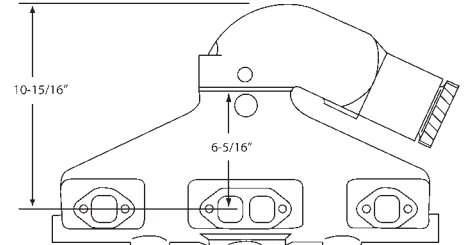
No. 51510

EXHAUST ELBOW
OEM: 856891



No. 51630

EXHAUST MANIFOLD
OEM: 856883



V6 (1994 & Up)

No. 51330

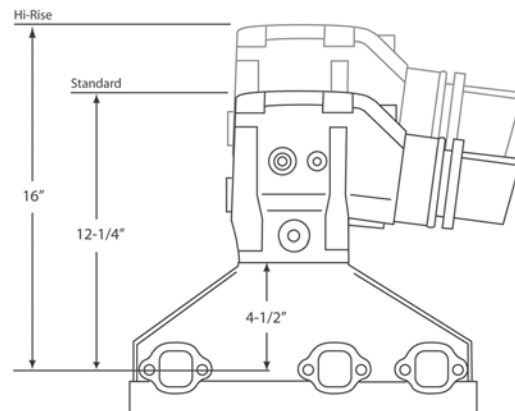
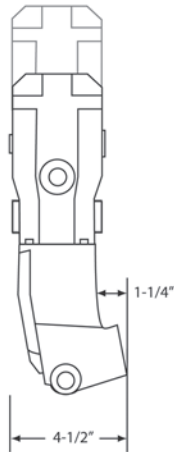
EXHAUST ELBOW (Standard)
OEM: 3857944

No. 51337

EXHAUST ELBOW (Hi-Rise)
OEM: 3862627

No. 51480

EXHAUST MANIFOLD
OEM: 3857656



V8 S.B. (1994 & Up)

No. 51330

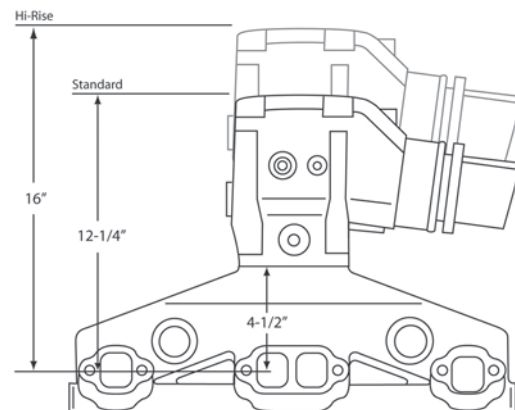
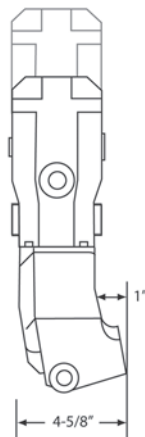
EXHAUST ELBOW (Standard)
OEM: 3857944

No. 51337

EXHAUST ELBOW (Hi-Rise)
OEM: 3862627

No. 51430

EXHAUST MANIFOLD
OEM: 3857723



Volvo Penta

V8 S.B. & V8 B.B. EXHAUST MANIFOLD DIMENSIONS

V8 S.B. (1994 & Up)

No. 51330

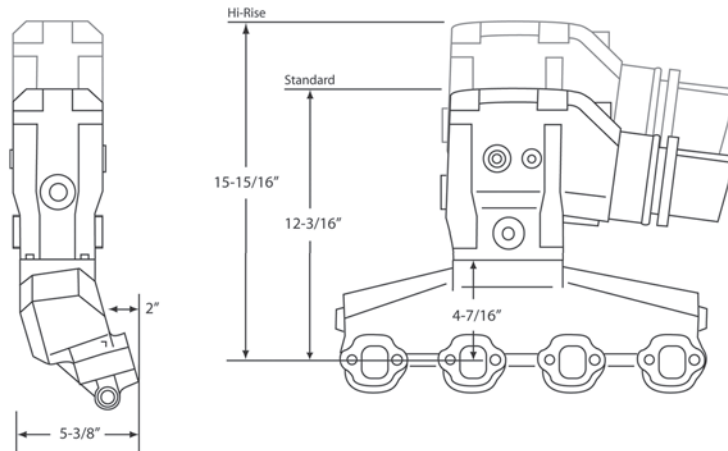
EXHAUST ELBOW (Standard)
OEM: 3857944

No. 51337

EXHAUST ELBOW (Hi-Rise)
OEM: 3862627

No. 51490

EXHAUST MANIFOLD
OEM: 3852347



V8 S.B. (1994 & Up)

No. 51332

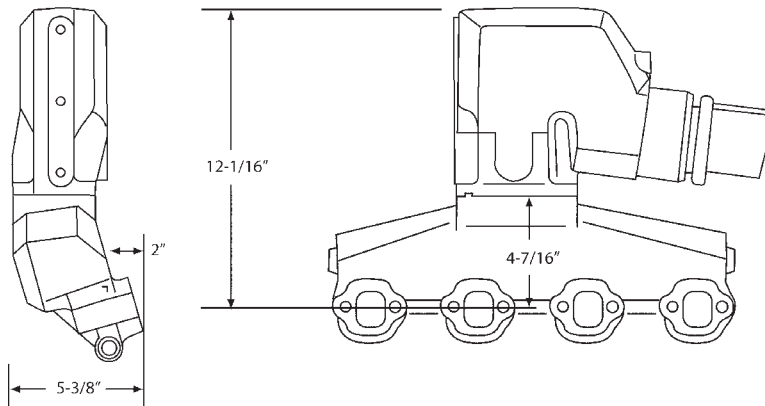
EXHAUST ELBOW - EFI (Port)
OEM: 3855271

No. 51334

EXHAUST ELBOW - EFI (Starboard)
OEM: 3855269

No. 51490

EXHAUST MANIFOLD
OEM: 3852347



V8 B.B. (1994 & Up)

No. 51330

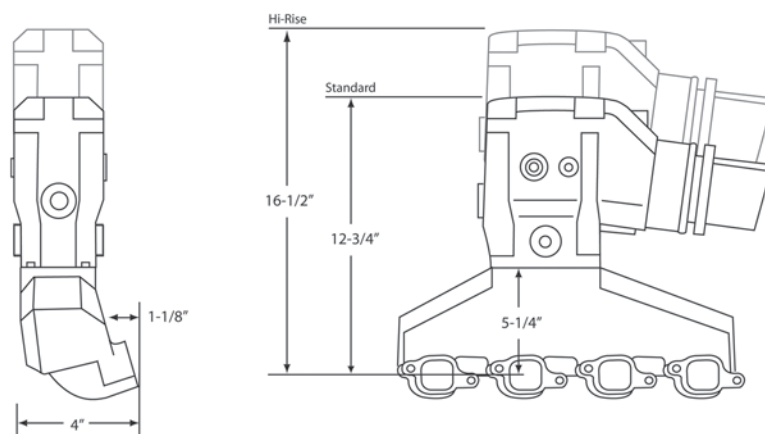
EXHAUST ELBOW (Standard)
OEM: 3857944

No. 51337

EXHAUST ELBOW (Hi-Rise)
OEM: 3862627

No. 51500

EXHAUST MANIFOLD
OEM: 3861459



Volvo Penta

COMPLETE EXHAUST MANIFOLD KITS

No. 58640

OEM: N/A



GM V6 AQ 175-434
(1993 & Before)

No. 58490

OEM: N/A



FORD V8 302/351 CID
(Carb. Engine)

No. 58480

OEM: N/A



GM V6 4.3L 262 CID
(1994 & Up)

No. 58491

OEM: N/A



FORD V8 302/351 CID
(EFI Engine)

No. 58630

OEM: N/A



GM V8 305/350 CID (1993 & Before)

No. 58500

OEM: N/A



GM V8 454/502 CID (7.4/8.2L)

No. 58430

OEM: N/A



GM V8 5.7L 350 CID (1994 & Up)

Exhaust Manifold Kits w/ Hi-Rise Single-Piece Elbow

No. 58486

OEM: N/A



GM V6 262 CID (2007 & Up)

No. 58487

OEM: N/A



GM V6 262 CID (1994 & Up)

No. 58492

OEM: N/A



FORD V8 302/351 CID (Carb. Engine)

No. 58438

OEM: N/A



GM V8 305/350 CID (2007 & Up)

No. 58437

OEM: N/A



GM V8 305/350 CID (1994 & Up)

No. 58507

OEM: N/A



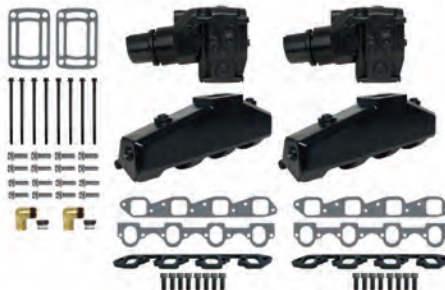
GM V8 454/502 CID (1994 & Up)

Complete Manifold Set with Adapter Plate

No. 58930

OEM: N/A

Ford 460 to GM 454



NEW

Volvo Penta

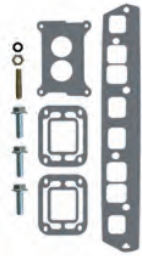
EXHAUST MANIFOLD GASKET & HARDWARE KITS

No. 53772

W/ HARDWARE

No. 39771

W/OUT
HARDWARE



GM 4-Cyl. 181 CID
(1992 & Up)

No. 53770

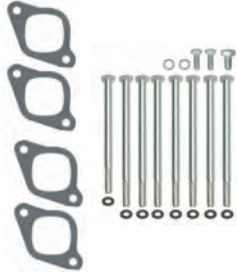
EX. GASKET / HARDWARE KIT

No. 37100

W/O HARDWARE
OEM: 855967

No. 53771

EXHAUST MANIFOLD
HARDWARE KIT



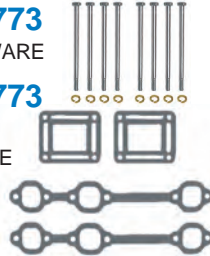
AQ 120/125/131/140/145/151
BB 140/145/230/250,
4-Cyl. (1973-90)

No. 53773

W/ HARDWARE

No. 39773

W/OUT
HARDWARE



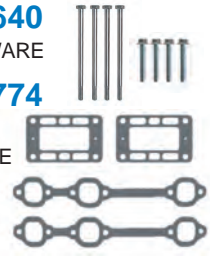
GM V6 4.3L 262 CID
(1991 & Up)

No. 53640

W/ HARDWARE

No. 39774

W/OUT
HARDWARE



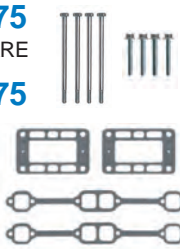
GM V6 AQ175-AQ434
(1993 & Before)

No. 53775

W/ HARDWARE

No. 39775

W/OUT
HARDWARE



GM V8 305/350 CID
(1993 & Before)

No. 53910

FOR LOG STYLE

No. 39910

W/OUT HARDWARE

No. 53911

FOR CENTER STYLE
W/ HARDWARE



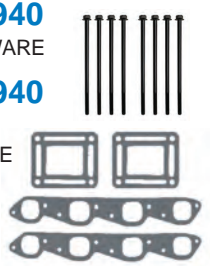
GM V8 Small Block

No. 53940

W/ HARDWARE

No. 39940

W/OUT
HARDWARE



GM V8 454/502 CID

No. 53920

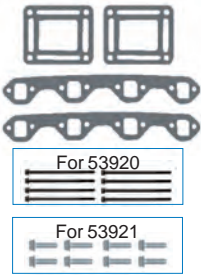
FOR CARBURETOR
W/ HARDWARE

No. 53921

FOR FUEL INJECTION
W/ HARDWARE

No. 39920

W/OUT
HARDWARE



FORD V8 302/351 CID

No. 13993

DRAIN COCK
OEM: 82745-1



AQ 120/125/131/140/145/151
BB 140/145/230/250,
4-Cyl. (1973-90)

No. 50040

ADAPTER
PLATE



Ford 460 to GM 454

No. 53040

MANIFOLD
ADAPTER
PLATE KIT



Ford 460 to GM 454

EXHAUST BELLOWS & EXHAUST FLAPPER VALVES

No. 89222

EXHAUSTHOSE
OEM: 3852741



2.5 (1986), 3.0 (1986-91)
2.3 (1989-90), 4.3 (1990-91)
5.0/5.8 Ford (1991), 5.7 (early 1986)

No. 89224

EXHAUSTHOSE - UPPER
OEM: 3852696



4.3 (1991), 5.0/5.8 Ford (1991)
7.5 460 (1988-89),
5.7LE (1990-91),
All Cone Clutch (1990-91)

No. 89227

EXHAUSTHOSE-UPPER
OEM: 834751



Volvo up to 1993

No. 89229

EXHAUSTHOSE
OEM: 3853608



5.0/5.8 EFI
(1993-96)

No. 89240

3 INCH
OEM: 34765A1
(with Clamps)



3 Inch

No. 89250

4 INCH
OEM: 12644A1
(with Clamps)



4 Inch

No. 89260

5 & 6 INCH
OEM: N/A
(with Clamps)



5 & 6 Inch

SUS 316 Hose Clamps

No. 01090

OEM: 3852604
For 89222,

No. 01100

OEM: 3853860
For Bellow
89224 & 89229



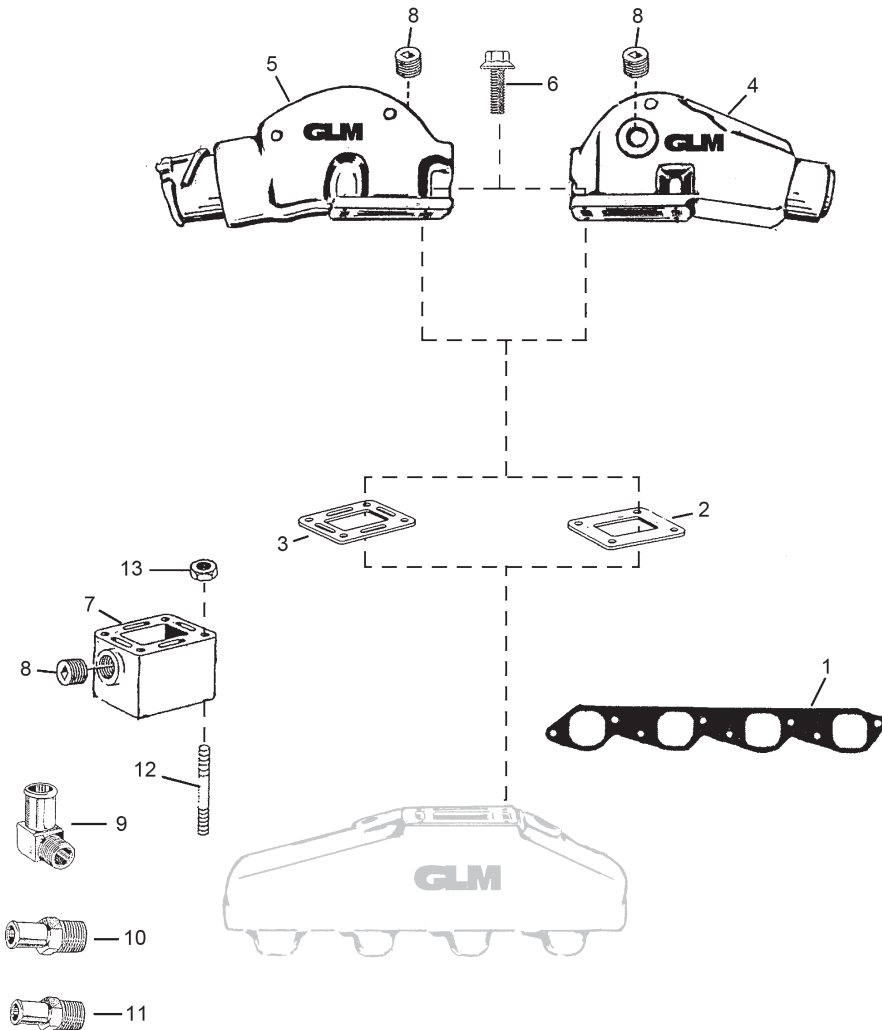
Section 4

Barr / Indmar / Marine Power Exploded Views, Gaskets & Components

<i>V8 S.B. - 305/350 CID</i>	<i>74</i>
<i>V8 B.B. - 454/502 CID</i>	<i>75</i>
<i>V8 FORD - 302/351 CID</i>	<i>76</i>
<i>V8 FORD - Exhaust Manifold Dimensions</i>	<i>77</i>
<i>V8 FORD - Complete Exhaust Manifold Kits</i>	<i>78</i>
<i>Exhaust Manifold Gasket & Hardware Kits</i>	<i>79</i>

Barr / Indmar / Marine Power

MODEL GM 454/502 CID V8 BIG BLOCK



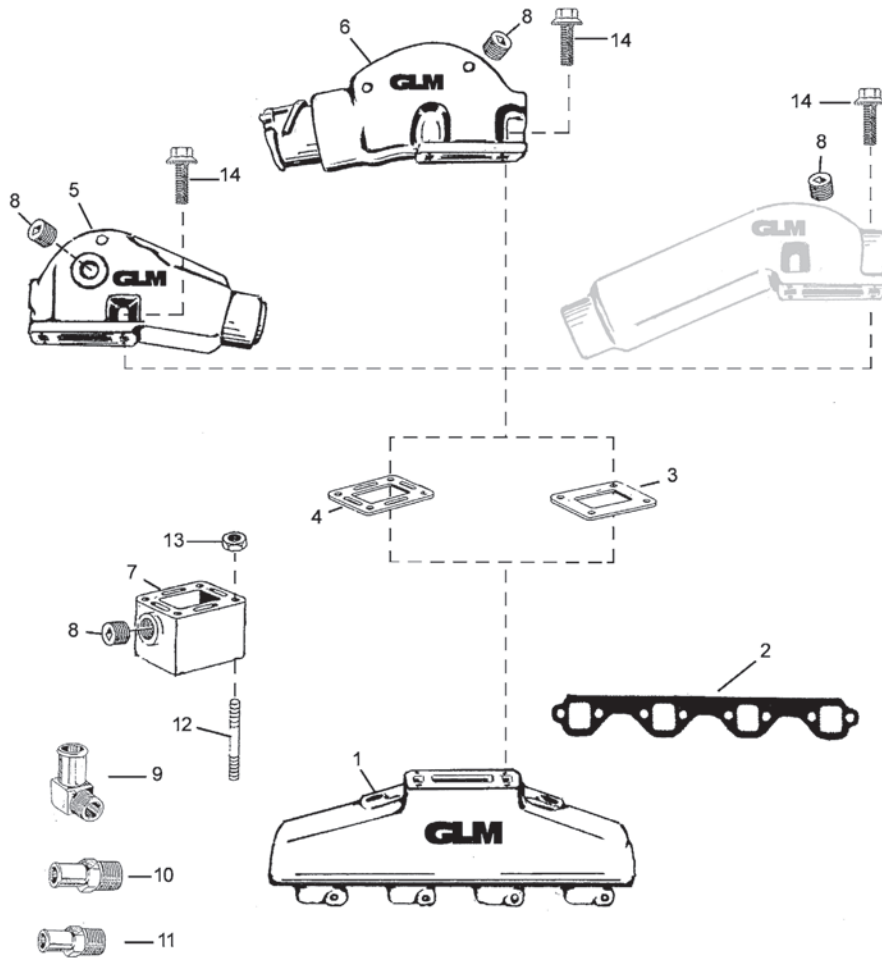
Ref No.	GLM No.	OEM No.	Description	Qty.
1	33760	CHVA-47-0000	Gasket - Exhaust Manifold	1
2	36820	1-0105 (Barr)	Gasket - Exhaust Elbow	1
3	36830	1-0107 (Barr)	Gasket - Exhaust Elbow	1
4	56110	20-0082 (Barr)	Exhaust Elbow 3" 10 Degrees	1
		0992-000 (M.P.)		
5	56140	20-0100 (Barr)	Exhaust Elbow 4" 10 Degrees	1
		0992-593 (M.P.)		
6	22355	-	Screw	4
7	56030	20-0097 (Barr)	Spacer 3"	1
8*	21892	-	Plug	1
9	13960	-	90 Degree Elbow Fitting 3/4 - 14 x 1	1
10	13984	-	Straight Fitting 3/4 - 14 x 1	1
11	13986	-	Straight Fitting 3/4 - 14 x 3/4	1
12	22481	-	Stud	4
13	21248	-	Nut	4

* Included with Exhaust Elbows 56110 & 56140.

Plug also included with 3" Spacer 56030.

Barr / Indmar / Marine Power

MODEL - FORD 5.0/5.8L - 302/351 CID V8



Ref No.	GLM No.	OEM No.	Description	Qty.
1	56250	FM-1-83 (Barr) 53-2008 (Indmar)	Exhaust Manifold Assembly	1
2	33790	-	Gasket - Exhaust Manifold	1
3	36820	1-0105 (Barr)	Gasket - Exhaust Elbow	1
4	36830	1-0107 (Barr)	Gasket - Exhaust Elbow	1
5	56110	20-0082(Barr)	Exhaust Elbow 3" 10 Degree	1
6	56140	20-0100 (Barr) 0992-593 (Indmar)	Exhaust Elbow 4" 10 Degree	1
7	56030	20-0097	Spacer 3"	1
8*	21892	-	Plug	1
9	13960	-	90 Degree Elbow Fitting 3/4 -14 x 1	1
10	13984	-	Straight Fitting 3/4 -14 x 1	1
11	13986	-	Straight Fitting 3/4 -14 x 3/4	1
12	22481	-	Stud	4
13	21248	-	Nut	4
14	22355	-	Screw	4

* Included with Exhaust Elbows 56110 & 56140.

Plug also included with 3" Spacer 56030.



Barr / Indmar / Marine Power

FORD V8 EXHAUST MANIFOLD DIMENSIONS

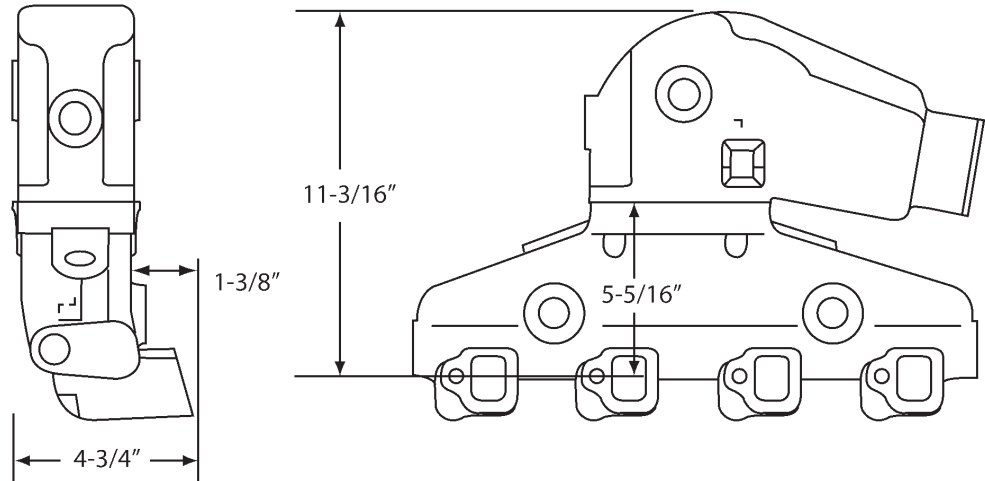
Ford V8 w/ 3" Riser

No. 56110

EXHAUST ELBOW
OEM: 20-0082 (Barr)
OEM: 0992-000 (M.P.)

No. 56250

EXHAUST MANIFOLD
OEM: FM-1-83
OEM: 53-2008



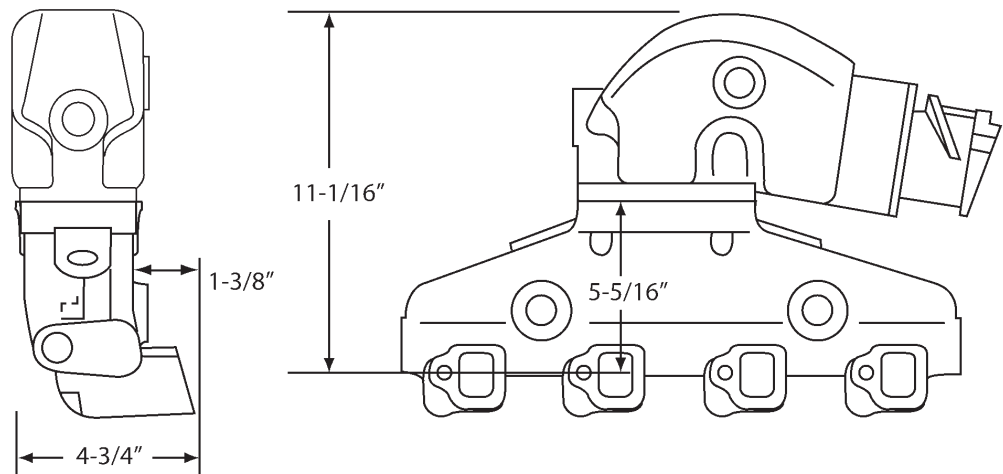
Ford V8 w/ 4" Riser

No. 56140

EXHAUST ELBOW
OEM: 20-0100 (Barr)
OEM: 0992-000 (M.P.)

No. 56250

EXHAUST MANIFOLD
OEM: FM-1-83
OEM: 53-2008



Barr / Indmar / Marine Power

FORD V8 COMPLETE EXHAUST MANIFOLD KITS

Ford V8 w/ 3" Riser

No. 58625

OEM: N/A



FORD V8 fits 3" Hose

Ford V8 w/ 4" Riser

No. 58635

OEM: N/A



FORD V8 fits 4" Hose

Barr / Indmar / Marine Power

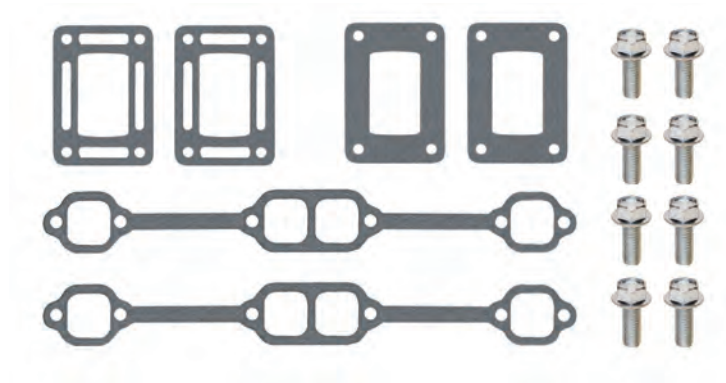
EXHAUST MANIFOLD GASKET AND HARDWARE KITS

No. 53781

W/ HARDWARE
OEM: N/A

No. 39781

W/OUT HARDWARE
OEM: N/A



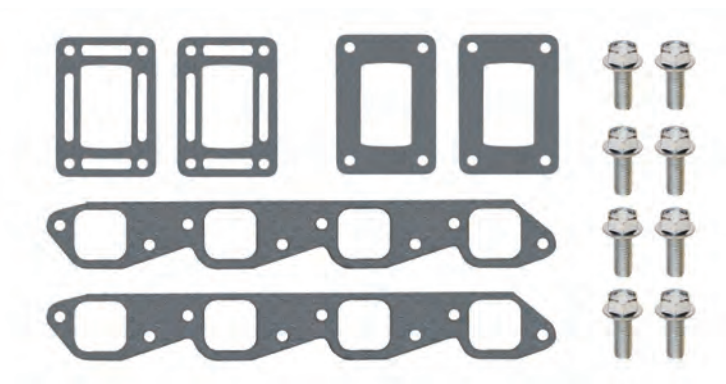
GM V8 Small Block

No. 53782

W/ HARDWARE
OEM: N/A

No. 39782

W/OUT HARDWARE
OEM: N/A



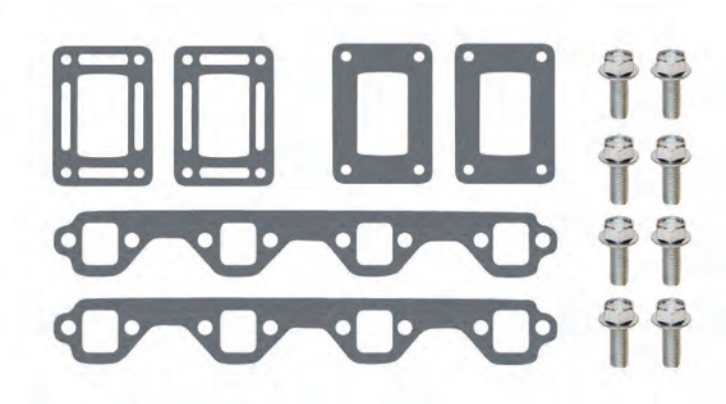
GM V8 Big Block

No. 53783

W/ HARDWARE
OEM: N/A

No. 39783

W/OUT HARDWARE
OEM: N/A



FORD V8



Limited Warranty of GLM Products, Inc.

1. This product of GLM Products, Inc. ("GLM") is warranted to be free from defects in material and workmanship for a period of two years from the date of purchase for aluminum elbow/manifold and all other GLM parts and accessories, three years from the date of purchase for cast iron elbow/manifold. Products used for commercial, rental, or income producing activity are warranted for a period of ninety (90) days. Only a person who has proof of purchase of the GLM product will receive warranty service.
2. GLM does not warrant or make any representations in respect to installation errors made by a servicing dealer, servicing mechanic, or the individual. This warranty applies to defects in material and workmanship only, it does not apply to the following: alteration, removal of parts, adjustments, tune-ups, normal wear, damages due to accident, improper installation or service, misuse, neglect, lack of maintenance, use of any accessory or part not manufactured or sold by GLM, operation with fuels, oils, or lubricants which are not suitable for use with the product, water entering engine cylinder through exhaust system or carburetor, participation in or preparing for racing or other competitive activity or operating with a racing type lower unit. GLM's liability under this warranty shall be terminated on any part damaged by flood, fire, storm, or other natural acts or where the model number and other identification has been altered, defaced or removed.
3. GLM will not be liable for any labor charges and incidental, consequential (such as loss of business), special or indirect damages resulting from the product or caused by the defect or reasonable delay in correcting the defect are not covered under the warranty.
4. GLM reserves the right to inspect and determine whether or not any part has failed due to a defect in material or workmanship. **Do not disassemble any parts including drive units that have been assembled by GLM. GLM's obligation shall be limited to repairing, replacing or crediting the product determined to be defective, at GLM's sole discretion:** GLM reserves the right to credit refund your purchase price for the product rather than repair or replace the product, or any part thereof. Any part is covered only for the original warranty period. Once the warranty on the product has expired, the warranty on any replaced or repaired part also expires. GLM shall be allowed to keep parts it deems defective under this warranty.
5. **ALL WARRANTIES BY AND FROM GLM, EXPRESS OR IMPLIED, INCLUDING WITHOUT LIMITATION IMPLIED WARRANTIES OF MERCHANTABILITY AND FITNESS FOR A PARTICULAR PURPOSE, ARE LIMITED IN DURATION TO THE DURATION OF THIS WARRANTY FOR THE PRODUCT INVOLVED. GLM DOES NOT WARRANT, GUARANTEE OR MAKE ANY REPRESENTATIONS REGARDING THE USE OR THE RESULTS OF THE USE OF THE PRODUCT IN TERMS OF ITS CORRECTNESS, RELIABILITY OR OTHERWISE. THE ENTIRE RISK AS TO THE RESULT AND PERFORMANCE OF THE PRODUCT IS ASSUMED BY YOU. IN NO EVENT WILL GLM, OR ITS RESPECTIVE DIRECTORS, OFFICERS, EMPLOYEES OR AGENTS (COLLECTIVELY, "GLM") BE LIABLE TO YOU FOR ANY CONSEQUENTIAL, INCIDENTAL, SPECIAL OR INDIRECT DAMAGES (INCLUDING DAMAGES FOR LOSS OF BUSINESS PROFITS, BUSINESS INTERRUPTION, LOSS OF BUSINESS INFORMATION AND THE LIKE) ARISING OUT OF THE USE OR INABILITY TO USE THE PRODUCT.** GLM's liability to you for actual damages from any cause whatsoever, and regardless of the form of the action (whether in contract, tort (including negligence), product liability or otherwise), will be limited to the purchase price paid for the product. No GLM dealer, agent or employee is authorized to make any modification or extension to this warranty. Because some states do not allow the exclusion of implied warranties and/or the exclusion or limitation of liability for consequential or incidental damages, the above limitations may not apply to you. This warranty gives you specific legal rights, and you may have other rights which vary from state to state.
6. You are required to notify GLM of any defect within the applicable warranty period and immediately obtain from GLM or its distributor a warranty application and a GLM RGA number. Upon GLM's receipt of the completed warranty application and part claimed under this warranty (with the GLM RGA number marked on the shipping and packaging of the part), GLM will inspect the part for warranty coverage. Only when the defect is covered by the warranty will the part be repaired or replaced, at GLM's sole option. If warranty service is required, you must deliver your product, at your expense, with proof-of-purchase (including original purchase invoice and invoice for installation of warranted part) to GLM for repair. Service is provided by GLM at its corporate headquarters at 705 Los Angeles Avenue, Monrovia, California 91016, Tel: (626) 357-0077, Fax: (626) 357-0600. When repair is completed, GLM will ship back to its indicated address. Shipping methods will be determined by GLM.
7. This warranty comprises the sole and entire warranty pertaining to the product furnished to you by GLM, and GLM makes no other warranty, guarantee or representation of any kind whatsoever pertaining to the product. Any other representations, or promises by any person are unauthorized and are not binding upon GLM unless in writing.

Warranty Service Procedure

1. GLM will directly and promptly approve and honor legitimate warranty claims on product only under the condition that the claim is made through a servicing Dealer. ****Do not disassemble any parts including drive units that have been assembled by GLM.****
2. GLM will credit or reimburse the Dealer for qualified warranty claims submitted that comply to GLM identified warranty policies.

ANY CLAIM UNDER GLM'S WARRANTY (Please see Limited Warranty of GLM Products) SHALL BE IN WRITING TO GLM PRODUCTS, INC. WITHIN THE WARRANTY PERIOD. TO ASSURE FAST AND EFFICIENT SERVICE PLEASE SHIP ALL WARRANTY PART(S) AND DOCUMENTATION DIRECTLY TO GLM. ALL WARRANTY CLAIM PRODUCTS MUST BE SHIPPED FREIGHT PREPAID TO GLM FOR WARRANTY INSPECTION. (FREIGHT CHARGES WILL BE REIMBURSED ONLY UPON APPROVAL ON WARRANTY)

1. All returns must have a GLM "RGA #" assigned (contact GLM directly for the "Return Goods Authorization #"). It is imperative to indicate this number on outside of all boxes and included on all submitted documentation. No returns will be accepted without an RGA #.
2. All returns must accompany a copy of the completed warranty application. (Application is available at www.glmmarine.com, in the back of each GLM's catalog or through your GLM distributor.)
3. **ALL** parts involved in the claim.
4. Copy of invoices as follows:
 - Original purchase invoice from distributor.
 - Original invoice for installation of warranted parts.
 - Proposed invoice/ work-order to GLM, if any, for warranty claim.NOTE: GLM complies with OEM standard flat hours and rates.
Copies of all invoices for items in above proposed invoice.

Send parcel(s) to:

**GLM Products, Inc. - Warranty
705 Los Angeles Avenue
Monrovia, CA 91016
RGA#**

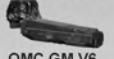


Superior Marine Manifolds

MerCruiser V6



MerCruiser V8



OMC GM V6



OMC Ford V8



100% Complete
Conversion Kits

Gaskets & Hardware
Included

MerCruiser GM V6

MerCruiser GM V8 S.B.

MerCruiser GM V8 B.B.

OMC / Volvo Ford V8 (Carb.)

OMC / Volvo Ford V8 (EFI)

Volvo GM V6 th 1993

OMC / Volvo GM V6

OMC / Volvo GM V8 S.B.

Volvo GM V8 to 1991

OMC / Volvo GM V8 S.B.



100% Complete
Manifold Sets

Gaskets & Hardware
Included

4-Cylinder thru V8 B.B.
Manifolds



MerCruiser
OMC
Volvo Penta
Marine Power
Indmar
Barr

Gaskets Included

Dry Joint Alternative
Manifold-Elbow Set

MerCruiser V6



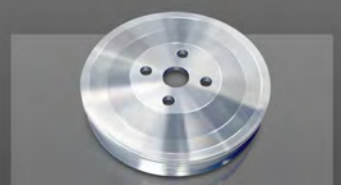
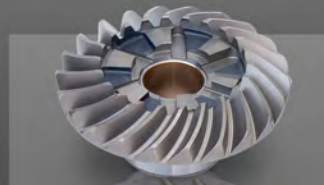
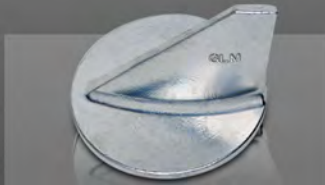
MerCruiser V8



Gaskets & Hardware
Included

and much more!

Over 4,000 Aftermarket Marine Parts



www.glmmarine.com



www.glmmarine.com

For Current Catalogs & Updates

On-line Catalog Series - Mobile - Tablet - Desktop



Master
(Print Version)



Manifolds



MerCruiser



Mercury/Mariner/Force



DMC/Volvo Penta



Johnson/Evinrude



Yamaha



Anodes



GLM Products, Inc.

705 Los Angeles Ave., Monrovia, CA 91016

Tel (626) 357-0077, Fax (626) 357-0600

info@glmmarine.com

Digital Version:
GXM18V1