

GLM[®]

www.glmmarine.com



Quality Replacement Parts for

Johnson[®]/Evinrude[®]



GLM Products, Inc. is committed to producing the highest quality and cost efficient aftermarket marine products in the industry. At GLM, we use only the highest quality materials and most advanced technology for our product line, enabling us to produce the most reliable and compatible products for the marine aftermarket parts industry.

GLM offers an exciting line of exceptional products, which are brand new from factory and compatible and interchangeable with OEM application. Our in-house design and engineering teams enable us to make improvements on original OEM materials and designs. At GLM, we strive to include all new advancements, improvements, and superior materials with the ever-changing world of technology.

Consider the many additions to GLM's line over the past several years. No other aftermarket manufacturer can compare with our variety of products being offered that GLM has developed and re-designed. When you invest in a GLM product, you can be assured that you are receiving the highest quality aftermarket marine part available. GLM's innovation and exclusive aftermarket products keep us the only source for all your boat repair or maintenance needs.

At GLM Products, Inc. we deliver the highest quality and most complete line of over 4,000 aftermarket marine parts sold worldwide. At GLM, we are...

...the Leader of the Aftermarket Marine Parts Industry!



Contents of this catalog are copyrighted. Reproduction of any or all of its contents is prohibited. We have prepared this catalog to provide you with information that is helpful and accurate as possible. Although care has been taken to assure the accuracy of the data presented in this catalog, GLM Products, Inc. does not assume any liability for errors or omissions. All illustrations, photos, etc. used in this catalog are intended as representative views for reference only. MerCruiser and Mercury/Mariner/Force are registered trademarks of the Brunswick Corporation; OMC Cobra and OMC Stringer are registered trademarks of Outboard Marine Corporation; Volvo Penta is a registered trademark of AB Volvo; Johnson/Evinrude are registered trademarks of Bombardier Motor Corporation of America; Yamaha is a registered trademark of Yamaha Motor Company, U.S.A.; GLM is a registered trademark of GLM Products, Inc. Copyright © 2018.

TABLE OF CONTENTS

JOHNSON / EVINRUDE GEARCASE

Johnson Evinrude Gearcase	Section 1	Johnson Evinrude Drive Shaft and Prop Shaft Components	Section 6
2 & 3-Cyl. Loopcharged Small Gearcase Identification	6	Drive Shaft Components - 2 & 3-Cyl. Loopcharged	68
2 & 3-Cyl. Loopcharged Large Gearcase Identification	7	Drive Shaft Components - V4 & V6	69
V4 60° & V4 90° Small Gearcase Identification	8	Prop Shaft Components - 2-Cyl. Loopcharged (1989-2006)	70
V4/V6 Large Gearcase Identification - "O" Type & "M" Type	9	Prop Shaft Components - 2 & 3-Cyl. Loopcharged (1975-1988)	70
V4 60° & V4 90° Complete Gearcase Assembly	10	Prop Shaft Components - 2 & 3-Cyl. Loopcharged (1975-2006)	71
V4/V6 Complete Gearcase Assembly - "O" Type	11	Prop Shaft Components - V4 90° (1978-1998)	71
Gearcase Assembly Applications	12	Prop Shaft Components - V4 60° (1995-2006)	72
Johnson Evinrude Gearcase Exploded Views	Section 2	Prop Shaft Components - V4/V6/V8 - "M" Type (2002-2006)	72
Gearcase Components - 4, 4.5, 5, 6, 7.5, 8 HP (1980 & Up)	14-15	Prop Shaft Components - V4/V6/V8 - "O" Type (1979-1990)	73
Gearcase Components - 9.9-15 HP (1974 & Up)	16-17	Prop Shaft Components - V4/V6/V8 - "O" Type (1991-2006)	73
Gearcase Components - 20-35 HP - Thru-Prop Exhaust	18-19	Lower Housing Bearing Applications	74-75
Gearcase Components - Crossflow - Thru-Cavitation Plate Exhaust	20-21	Oil Seals Applications	76-77
Gearcase Components - Loopcharged - Small Gearcase	22-25	Drive Shaft Housing Oil Seals Applications	77
Gearcase Components - Loopcharged - Large Gearcase	26-27	Lower Drive Shaft Identification & Applications - V4/V6	78
Gearcase Components - V4 60° (1995-2005)	28-29	Upper Drive Shaft Identification & Applications - V4/V6	79
Gearcase Components - V4 90° (1978-1998)	30-31	Prop Shaft Identification & Applications	80
Gearcase Components - V4/V6 "O" Type (1979-2006)	32-33	Johnson Evinrude Water Pumps	Section 7
Gearcase Components - V4/V6 "M" Type (2002-2006)	34-35	Water Pump Impellers 15 HP & Below	82
Gearcase Components - V6 Hydraulic Shift (1976-1978)	36-37	Water Pump Kits 15 HP & Below	83
Johnson Evinrude Gearcase Kits	Section 3	Water Pump Impellers 18-40 HP 2-Cyl. Crossflow	84
Complete Small Gearcase Assembly Kits - V4 90°	40	Water Pump Kits 18-40 HP 2-Cyl. Crossflow	85
Rebuild Kits - Small Gearcase - V4 90°	40	Water Pump Impellers 2 & 3-Cyl. Loopcharged	86
Complete Small Gearcase Assembly Kits - V4 60°	41	Water Pump Kits 2 & 3-Cyl. Loopcharged & eTec 40-60 HP	87-90
Rebuild Kits - Small Gearcase - V4 60°	41	Water Pump Housings V4/V6/V8	91
Complete Gearcase Assembly Kits - V4/V6 "O" Type	42	Water Pump Impellers V4/V6/V8	92
Gearcase Rebuild Kits - V4/V6 "O" Type	42	Water Pump Kits V4/V6/V8	93-95
Gearcase Seal Kits	43	Water Pump Impellers	96
Gearcase Seal Kits - Mechanical Shift Thru-Prop Exhaust	44	Water Pump Wear Plates	97
Gearcase Seal Kits - Electric Shift w/ Cavitation Plate Exhaust	45	Water Pump Cups	98
Gearcase Seal Kits - Electric/Hydraulic Shift Thru-Prop Exhaust	45	Water Pump Housings	99
Gearcase Seal Kits - Two Piece Gearcase w/ Cavitation Plate Exhaust	46	Water Pump Components	100
Gearcase Seal Kits Applications	47	Water Pump Kits Applications	101-103
Johnson Evinrude Gears and Clutch Dogs	Section 4	Johnson Evinrude Propeller Hardware, Anodes, Tools	Section 8
Lower Gear Housing Gears - 2-Cyl. Loopcharged	50	Prop Hardware - Most 2 & 3-Cyl. (1972-Up) - Small Gearcase	106
Lower Gear Housing Gears - 2 & 3-Cyl. Loopcharged	51-52	Prop Hardware - 2 & 3-Cyl. (1975-Up) - Large Gearcase	106
Lower Gear Housing Gears - V4 60° & V4 90°	53	Prop Hardware - V4 (1973-Up) - Small Gearcase	106
Lower Gear Housing Gears - V4 90° "O" Type	54	Prop Hardware - V4/V6 "O" Type (1976-1990) - Large Gearcase	107
Lower Gear Housing Gears - V6 Mechanical/Hydraulic Shift	55	Prop Hardware - V4/V6/V8 "O" Type (1991-Up) - Large Gearcase	107
Lower Gear Housing Gears - V6 90° "O" Type	56	Propeller Hardware	108
Lower Gear Housing Gears - V6 90° Heavy Duty	57	Propeller Kits & Hardware Applications	108-109
Gear Set Applications for 2 & 3-Cyl. & V4	58	Aluminum Anodes & Anode Kits	110
Gear Set Applications for V6	59	Aluminum Prop Nut Anode Kits & Replacement Anodes	110
Johnson Evinrude Gearcase Shift Components	Section 5	Prop Wrench Kits & Prop Wrenches	111
Shift Components - 2-Cyl. Loopcharged (1989-2005) - Small Gearcase	62	Marine Service Tools	111-112
Shift Components - 2 & 3-Cyl. Loopcharged (1975-1988) - Small Gearcase	62		
Shift Components - 2 & 3-Cyl. Loopcharged (1975-2006) - Large Gearcase	63		
Shift Components - V4 60° & V4 90° Loopcharged - Small Gearcase	63		
Shift Components - V4/V6/V8 "O" Type - Large Gearcase	64		
Shift Components - V4/V6/V8 "M" Type - Large Gearcase	64		
Gearcase Shift Components	65		

TABLE OF CONTENTS

JOHNSON / EVINRUDE POWERHEAD COMPONENTS

Johnson Evinrude Pistons	Section 9	Johnson Evinrude Carburetor Kits and Fuel Pumps	Section 13
Engine Designs (60° vs. 90°) V4/V6	114	Carburetor Service Kits	148
GLM Exclusive Marine Pistons	114	Needles and Seats	148
Piston Designs (Crossflow, Loopcharged & Four-Stroke)	115	Carburetor Service Kits / Needle and Seats Applications	149
2-Cylinder Crossflow Pistons	116-117	Carburetor Parts & Gaskets	150
2-Cylinder Loopcharged Pistons	118	Gaskets	151
3-Cylinder Loopcharged Pistons	119-121	Fuel Pump Kits and Applications	152
V4 90° & V6 90° Crossflow Pistons	122	Kit Components	152
V6 90° Crossflow Pistons	123	Fuel Filters and Kits	153
V4 60° & V6 60° Loopcharged Pistons	124-125	Low Pick-up Water / Fuel Separator Mounting Bracket	154
V4 90° / V6 90° / V8 Loopcharged Pistons	126-127	How to Choose the Correct Water / Fuel Separator	155
V6 90° Loopcharged Pistons	128	Stainless Steel Brackets / Die Cast Aluminum Brackets	155
2-Cylinder Four-Stroke Pistons	129	Water Separating Fuel Filter Kits	156
Piston Kits and Rings Applications	130-131		
Johnson Evinrude Powerhead Bearings and Seals	Section 10	Johnson Evinrude Powerhead Gaskets	Section 14
Powerhead Bearings	134-135	1 & 2-Cylinder Head Gaskets	158
Main Bearings	134	3-Cylinder & V4 Head Gaskets	159
Center Bearings	134	V6 & V8 Head Gaskets	160
Center Split Sleeve	134	Head Gaskets Applications	161
Center Bearing Kits	134	Powerhead Gasket Kits	162-165
Connecting Rod Bearings - Small End	135	Powerhead Gasket Kits Applications	165
Connecting Rod Bearings - Big End	135	Powerhead Mounting Gaskets	166-167
Bearing Applications	136-137	Intermediate Housing Exhaust Gaskets	167
Crankshaft Seals Applications	138	Seals - Exhaust Housing	167
		Powerhead Exhaust Gaskets	168
		Powerhead Water Passage Cover Gaskets	169
		Powerhead Transfer Port Gaskets - Crossflow Engines	169
		Carburetor to Intake Manifold Gaskets	170
		Intake Manifold Gaskets / Reed Plate Gaskets	171
		Air Silencer Gaskets	172
Johnson Evinrude Thermostats	Section 11	Johnson Evinrude Oil Seals & O-Ring Size Charts	Section 15
Thermostat Kits	140	Oil Seals Shaft & Bore Size	174
2-Cyl. 25/35 HP Thermostat Assembly (1996-2001)	141	O-Ring Size Chart	175
2 & 3-Cyl. & V4 Loopcharged Thermostat Assembly (1992-2000)	141		
V4 Crossflow Assembly	141		
V6 Crossflow Assembly	142		
Thermostats	142		
Thermostat Covers & O-ring	142		
Thermostat & Valve Springs	143		
Thermostat Housing Components	143		
Thermostat Gaskets	144		
Thermostat Cover Gaskets	144		
Johnson Evinrude Ignition and Electrical	Section 12		
Point Sets & Condenser	146		
Power Trim Relay	146		
Rectifiers	146		
Point Sets & Condenser Application	146		
Power Trim Relay Application	146		
Rectifier Application	146		
		WARRANTY	
		Notes	176-177
		Limited Warranty	178
		Warranty Service Procedure	179
		Warranty Claim Application	180



Section 1

Johnson / Evinrude Gearcase

<i>2 & 3-Cyl. Loopcharged Small Gearcase Identification</i>	<i>6</i>
<i>2 & 3-Cyl. Loopcharged Large Gearcase Identification</i>	<i>7</i>
<i>V4 60° & V4 90° Small Gearcase Identification</i>	<i>8</i>
<i>V4/V6 Large Gearcase Identification - "O" Type & "M" Type</i>	<i>9</i>
<i>V4 60° & V4 90° Complete Gearcase Assembly</i>	<i>10</i>
<i>V4/V6 Complete Gearcase Assembly - "O" Type</i>	<i>11</i>
<i>Gearcase Assembly Applications</i>	<i>12</i>

Johnson / Evinrude

2 & 3-CYL. LOOPCHARGED SMALL GEARCASE IDENTIFICATION

Small Gearcase "Old" Style (1975-1988)

Physical Characteristics:

15-1/2" tall.

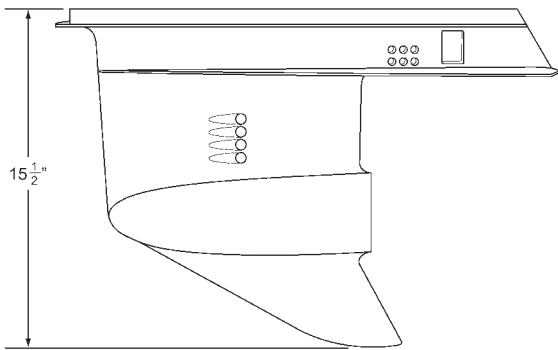
Straight at the trailing end of the gear housing and the fin.

Pointed at the trailing end of the cavitation plate.

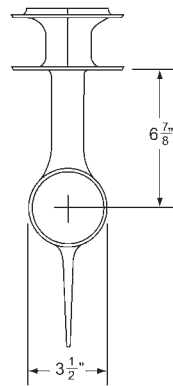
Six holes above the cavitation plate.

Internal water intake screens (four holes).

No speedo pitot.



Side View



Rear View



Top View

Small Gearcase "New" Style (1989-2005)

Physical Characteristics:

15-3/4" tall.

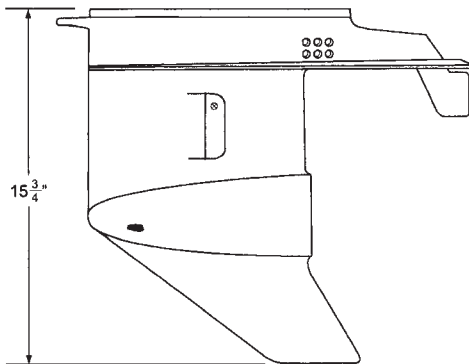
Straight at the trailing end of the gear housing and the fin.

Pointed at the trailing end of the cavitation plate.

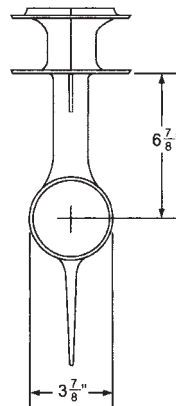
Six holes above the cavitation plate.

External water intake screens.

Includes speedo pitot.



Side View



Rear View



Top View

Johnson / Evinrude

2 & 3-CYL. LOOPCHARGED LARGE GEARCASE IDENTIFICATION

Large Gearcase (1975-2006)

Physical Characteristics:

17-7/16" tall.

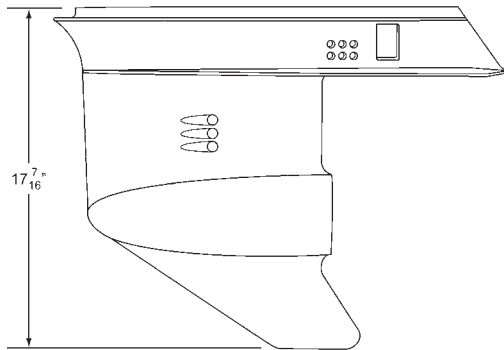
Straight at the trailing end of the gear housing and the fin.

Pointed at the trailing end of the cavitation plate.

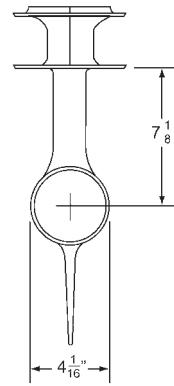
Six holes above the cavitation plate.

Internal water intake screens (three holes).

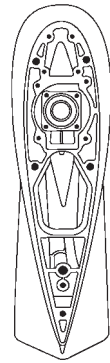
No speedo pitot.



Side View



Rear View



Top View

Johnson / Evinrude

V4 60° & V4 90° SMALL GEARCASE IDENTIFICATION

Small Gearcase V4 90° (1978-1998)

Physical Characteristics:

18-3/16" tall.

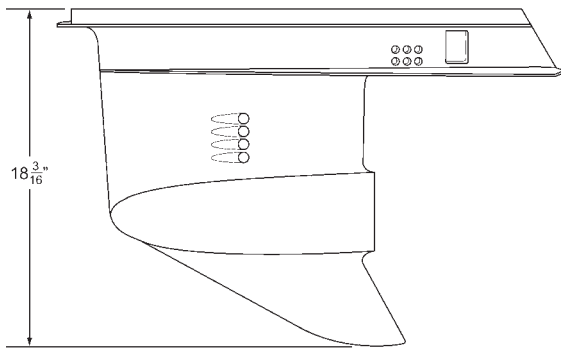
Straight at the trailing end of the gear housing and the fin.

Pointed at the trailing end of the cavitation plate.

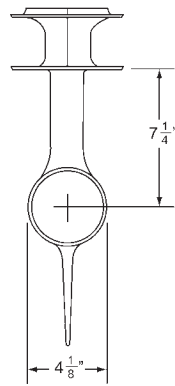
Six holes above the cavitation plate.

Internal water intake screens (four holes).

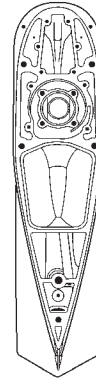
No pitot.



Side View



Rear View



Top View

Small Gearcase V4 60° (1995-2006)

Physical Characteristics:

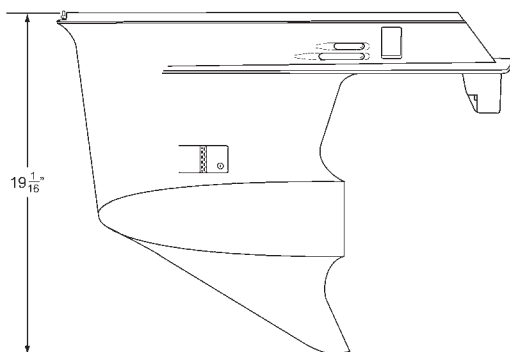
19-1/6" tall.

Curved at the trailing end of the gear housing and the fin.

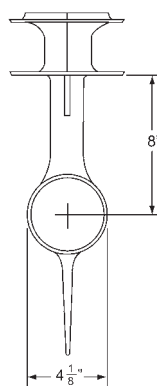
Flat at the trailing end of the cavitation plate.

Two slots above the cavitation plate.

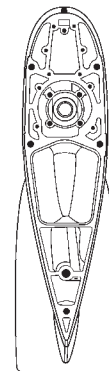
External water intake screens.



Side View



Rear View



Top View

Johnson / Evinrude

V4/V6 LARGE GEARCASE IDENTIFICATION

Large Gearcase "O" Type V4 & V6 (1979-2006)

Physical Characteristics:

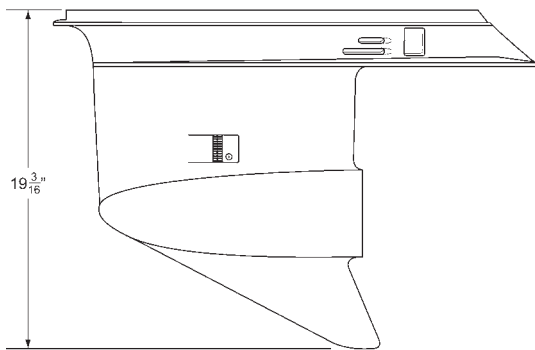
19-3/16" tall.

Straight at the trailing end of the gear housing and the fin.

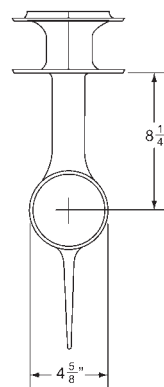
Pointed at the trailing end of the cavitation plate.

Two slots above the cavitation plate.

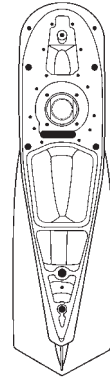
External water intake screens.



Side View



Rear View



Top View

Large Gearcase "M" Type V4 & V6 (2002-2006)

Physical Characteristics:

19-3/16" tall.

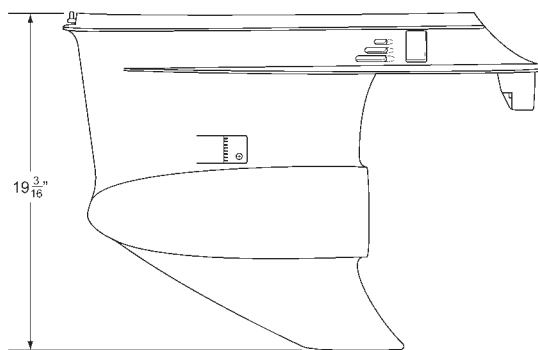
Curved at the trailing end of the gear housing and the fin.

Flat at the trailing end of the cavitation plate.

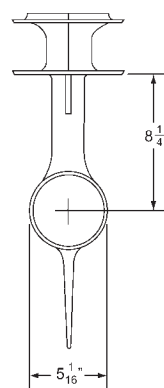
Three slots above the cavitation plate.

External water intake screens.

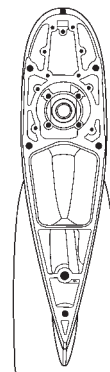
Includes speedo pitot.



Side View



Rear View



Top View

Johnson / Evinrude

V4 60° & V4 90° COMPLETE GEARCASE ASSEMBLY

V4 60° (1995-Up)

No. 28510

COMPLETE GEARCASE
OEM: 5004632
GLM Gear Set No. 22630



No. 28500

EMPTY GEARCASE
OEM: 5004767



For V4 60° w/ 20" shaft (1995-2005)
For 75 & 80 HP Inline 3-Cyl. E-Tec
w/ 20" shaft (2004-2006)

V4 90° (1978-1998)

No. 28210

COMPLETE GEARCASE
OEM: 5000356
GLM Gear Set No. 22630



No. 28200

EMPTY GEARCASE
OEM: 431642



For V4 90°(1978-1998)

Must use Bearing Carrier
GLM No. 11388 with
this empty gearcase

No. 11388

BEARING CARRIER
OEM: N/A



Johnson / Evinrude

V4/V6 COMPLETE GEARCASE ASSEMBLY - "O" TYPE

"O" Type V4 & V6 (1978-Up)

No. 28880



COMPLETE GEARCASE
W/OUT SPEEDO
OEM: 5004639
GLM Gear Set No. 22650

V4 Gear Ratio: 2.25:1 (.44), 12:27



No. 28800

EMPTY GEARCASE
W/OUT SPEEDO
OEM: 439972
EMPTY GEARCASE
W/OUT SPEEDO
OEM: 438048

For V4 (1978-2006)
Crossflow 1983-1996
60° Loopcharged 1995-1998
90° Loopcharged 1985-1998

No. 28810

COMPLETE GEARCASE
W/OUT SPEEDO
OEM: 5005401
GLM Gear Set No. 22666

V6 Gear Ratio: 1.83:1 (.55), 12:22 Heavy Duty



No. 28800

EMPTY GEARCASE
W/OUT SPEEDO
OEM: 439972
EMPTY GEARCASE
W/OUT SPEEDO
OEM: 438048

For V6 (1978-2006)
Crossflow (1979-1992)
60° Loopcharged (1991-2005)
90° Loopcharged (1986-2005)

No. 28710

COMPLETE GEARCASE
W/ SPEEDO
OEM: 5004635
GLM Gear Set No. 22666

V6 Gear Ratio: 1.83:1 (.55), 12:22 Heavy Duty



No. 28700

EMPTY GEARCASE
W/ SPEEDO
OEM: 439973

For V6 (1978-2006)
Crossflow (1979-1992)
60° Loopcharged (1991-2001)
90° Loopcharged (1986-2001)

Johnson / Evinrude

GEARCASE ASSEMBLY APPLICATIONS

Motor	Year	Complete	Housing	Motor	Year	Complete	Housing
V4 Crossflow 20"	1988-98	28210	28200	V6 Crossflow 20" & 90° Loopcharged	88-91	28710	28700
V4 Crossflow 25"	1988-91	28210	28200				
65 Jet (90 hp)	All	Not Serviced	-	V6 Crossflow 25" & 90° Loopcharged	88-91	28710	28700
100 WPL 20"	1999	28880	28800				
100 WPX 25"	1999	28880	28800	V6 Crossflow 20" & 90° Loopcharged C/R	88-91	-	28700
100 Comm. 20" Small	1992-97	28210	28200				
100 Comm. 20" Large	1988-97	28880	28800	V6 90° Loopcharged 20" w/ Internal Screens	92-99	28710	28700
100 Comm. 25" Large	1988-97	28880	28800				
100 WQL 20"	1998	28510	28500	V6 90° Loopcharged 20" w/ External Screens	92-99	28810	28800
100 WQX, 105 WEX 25"	1998	28880	28800				
105 Comm. WPL 20"	2000-01	28880	28800	V6 90° Loopcharged 25"	92-99	28810	28800
105 Comm. WPX 25"	2000-01	28880	28800	V6 90° Loopcharged 25" C/R	92-99	-	28800
105 Comm. WEL 20"	2000-01	28880	28800	V6 90° Loopcharged 30"	93-99	28810	28800
105 WEL 20"	1998	28880	28800	V6 90° Loopcharged 30" C/R	93-99	-	28800
105 WRL 20"	1997-98	28880	28800	200 Comm. 20"	93-99	28810	28800
105 WRX 25"	1997-98	28880	28800	200 Comm. 25"	93-99	28810	28800
105 RWL 20"	1998	28880	28800	V8 20"	88-98	-	-
105 RWY 22.5"	1998	28880	28800	V8 25"	88-98	-	-
105 RWX 25"	1998	28880	28800	V8 30"	93-96	-	-
115 FPL/FSL 20"	1999-05	28510	28500	V8 20" C/R	90-96	-	-
115 FPX/FX 25"	2000-01	28880	28800	V8 25" C/R	88-98	-	-
80 Jet (115 hp)	All	Not Serviced	-	V8 30" C/R	93-96	-	-
120/140 20"	1988-94	28210	28200				
120 25"	1988-94	28210	28200				
125 RWL 20"	1995-97	28880	28800				
125 RWY 22.5"	1995-98	28880	28800				
125 WTPL 20"	1992-98	28880	28800				
125 WTPX 25"	1988-98	28880	28800				
125 ESX	1989-91	28210	28200				
125 ESX Club Nautico	1992-94	28210	28200				
130 20"	1995-98	28880	28800				
130 25"	1995-98	28880	28800				
130 25" C/R	1995-97	-	28800				
135 FPL/FL 20"	2000-01	28710	28700				
135 FSL/FS 20"	2000-01	28810	28800				
135 FPX/FX 25"	2000-01	28810	28800				
140 25"	1988-94	28880	28800				
140 25" C/R	1988-94	-	28700				
V4 60° Loopcharged 20" GL W/ Pitot Hole	1995-06	28510	28500				
V4 60° Loopcharged 20" (Use Pitot Style)	1995-06	28510	28500				
V4 60° Loopcharged 25"	1995-06	28880	28800				
V6 60° Loopcharged 20" W/ External Screens	1995-00	28810	28800				
V6 60° Loopcharged 25" W/ External Screens	1991-99	28810	28800				
V6 60° Loopcharged 25" C/R	1992-99	-	28800				
105 Jet (150 HP)	All	Not Serviced	-				
150 Comm. 20"	1993-99	28810	28800				
150 Comm. 25"	1993-99	28810	28800				
155 Comm. 20"	1988-92	28810	28800				
155 Comm. 25"	1988-92	28810	28800				



Section 2

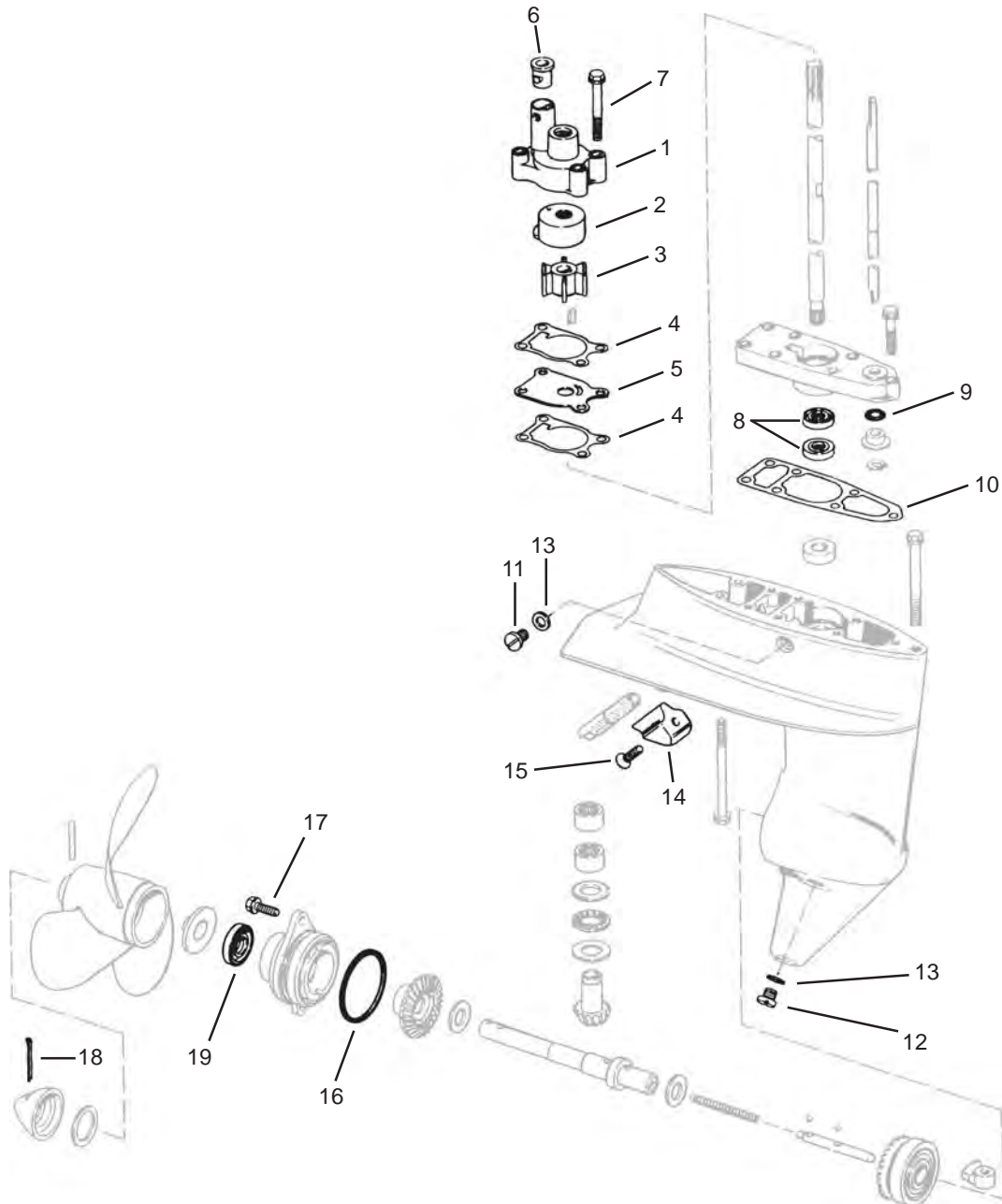
Johnson / Evinrude Gearcase Exploded Views

<i>Gearcase Components - 4, 4.5, 5, 6, 7.5, 8 HP (1980 & Up) ...</i>	<i>14-15</i>
<i>Gearcase Components - 9.9-15 HP (1974 & Up)</i>	<i>16-17</i>
<i>Gearcase Components - 20-35 HP - Thru-Prop Exhaust</i>	<i>18-19</i>
<i>Gearcase Components - Crossflow - Thru-Cavitation Plate Exhaust ..</i>	<i>20-21</i>
<i>Gearcase Components - Loopcharged - Small Gearcase</i>	<i>22-25</i>
<i>Gearcase Components - Loopcharged - Large Gearcase</i>	<i>26-27</i>
<i>Gearcase Components - V4 60° (1995-2005)</i>	<i>28-29</i>
<i>Gearcase Components - V4 90° (1978-1998)</i>	<i>30-31</i>
<i>Gearcase Components - V4/V6 "O" Type (1979-2006)</i>	<i>32-33</i>
<i>Gearcase Components - V4/V6 "M" Type (2002-2006)</i>	<i>34-35</i>
<i>Gearcase Components - V6 Hydraulic Shift (1976-1978)</i>	<i>36-37</i>

Johnson / Evinrude

GEARCASE COMPONENTS - 4, 4.5, 5, 6, 7.5, 8 HP (1980 & UP)

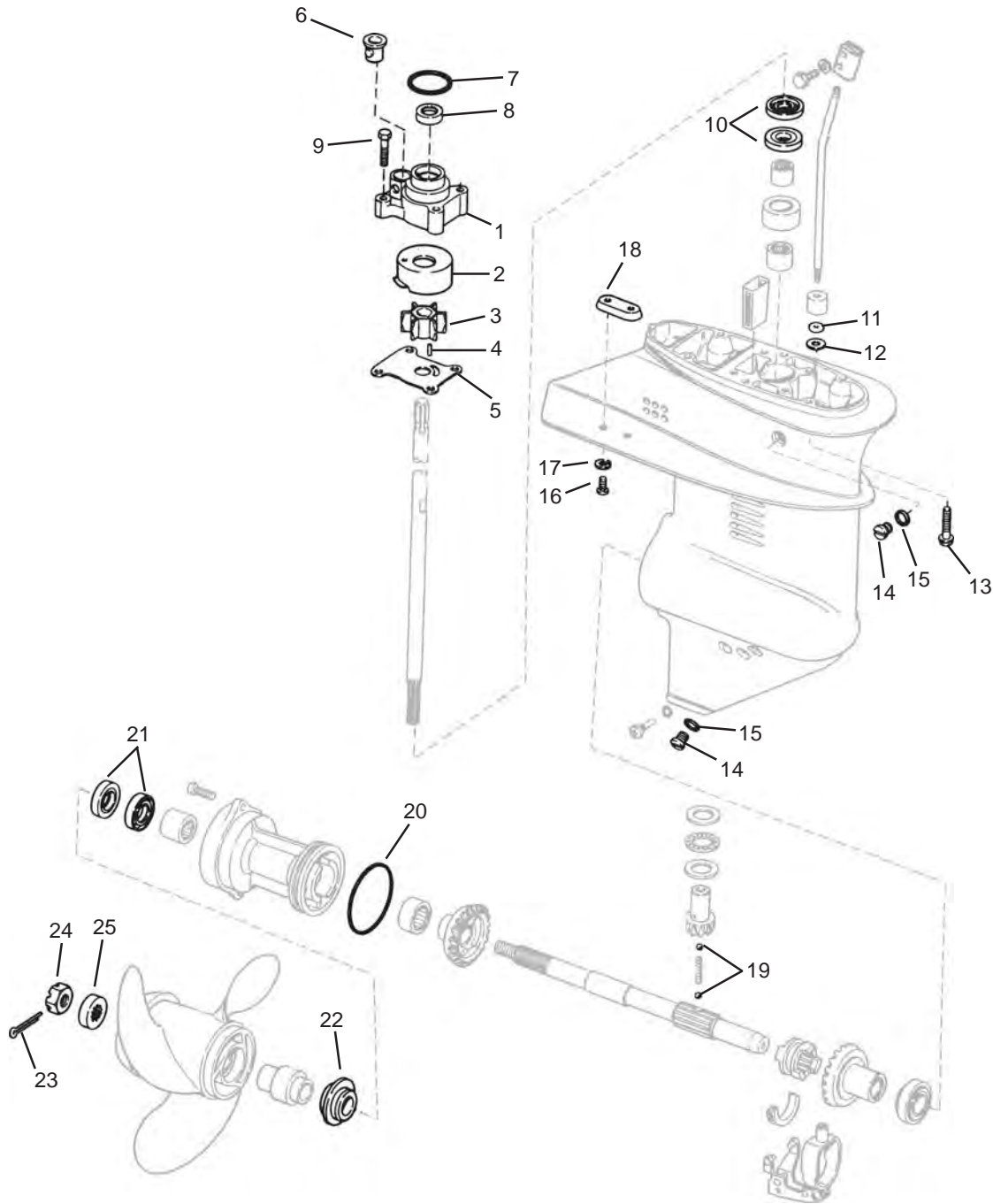
2-Stroke



Johnson / Evinrude

GEARCASE COMPONENTS - 9.9-15 HP (1974 & UP)

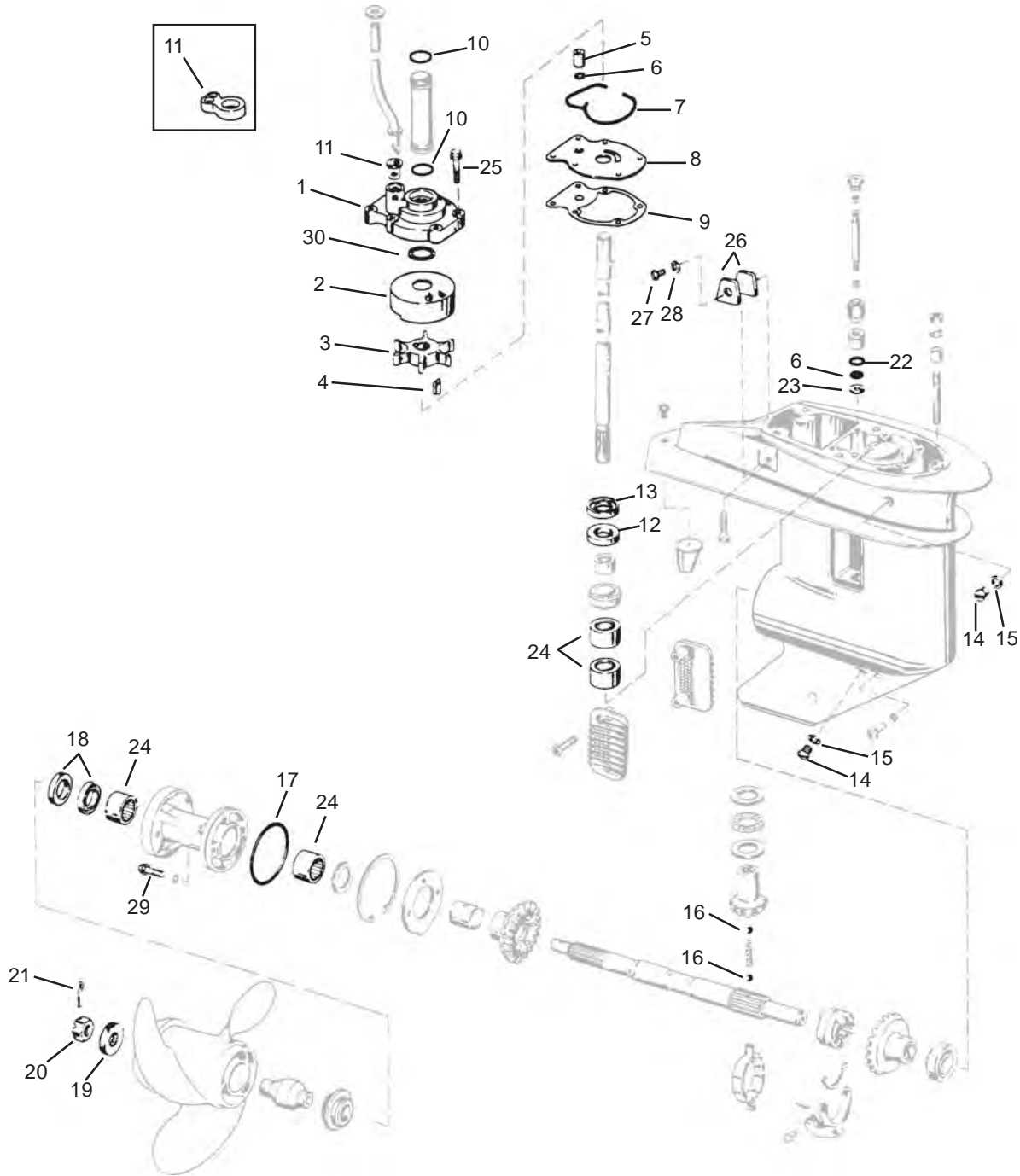
2-Cyl. 2-Stroke Thru-Prop Exhaust



Johnson / Evinrude

GEARCASE COMPONENTS - 20-35 HP - THRU-PROP EXHAUST

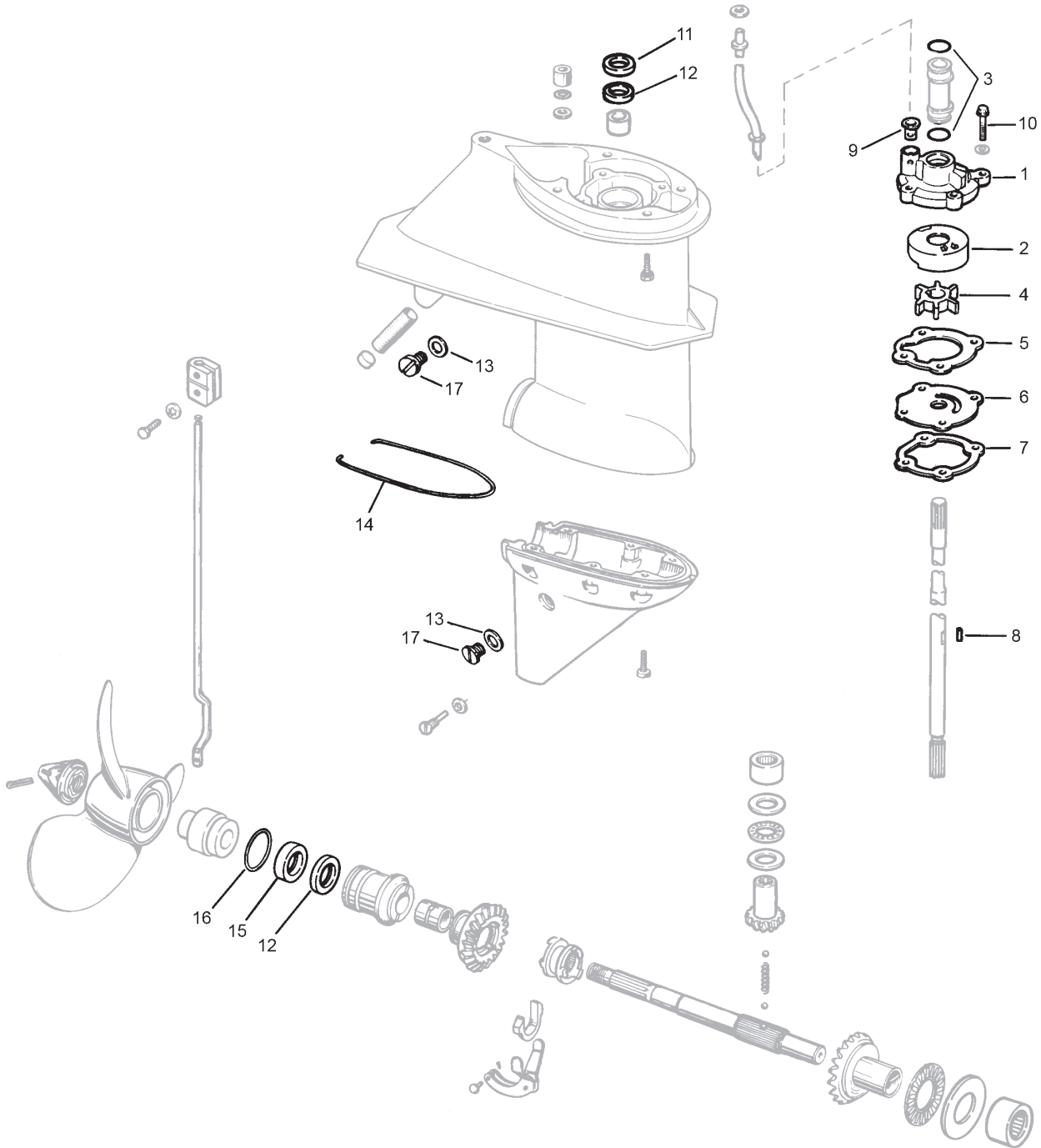
20-35 HP 2-Cyl. Crossflow (1980-2005)
25, 30, 35 HP 3-Cyl. Loopcharged (1996-2001)



Johnson / Evinrude

GEARCASE COMPONENTS - CROSSFLOW - THRU-CAVITATION PLATE EXHAUST

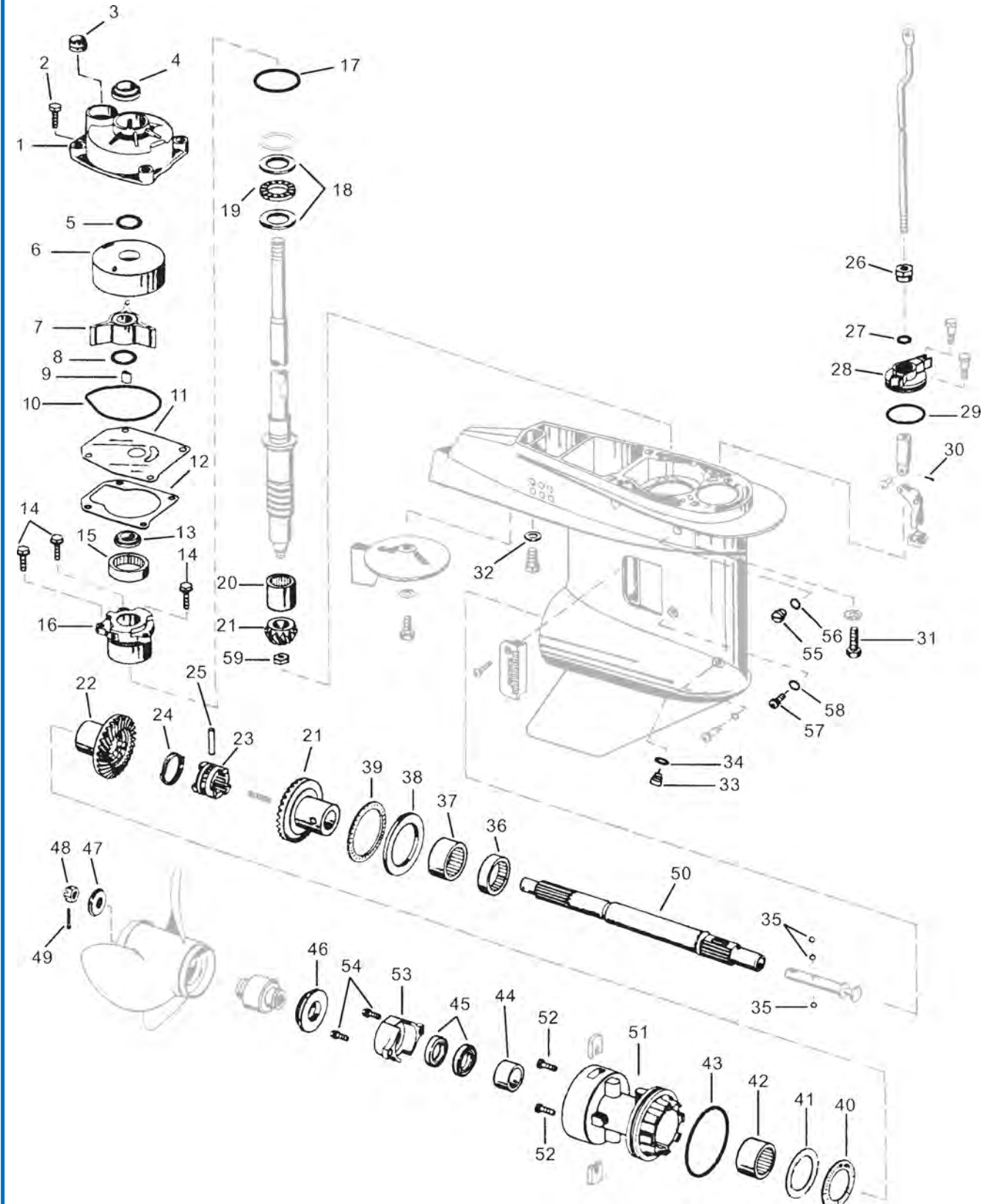
25-28 HP, 2-Cyl. Crossflow (1978-1997)



Johnson / Evinrude

GEARCASE COMPONENTS - LOOPCHARGED - SMALL

2-Cyl. Loopcharged 40-50 HP (1989-2005)



Johnson / Evinrude

GEARCASE COMPONENTS - LOOPCHARGED - SMALL

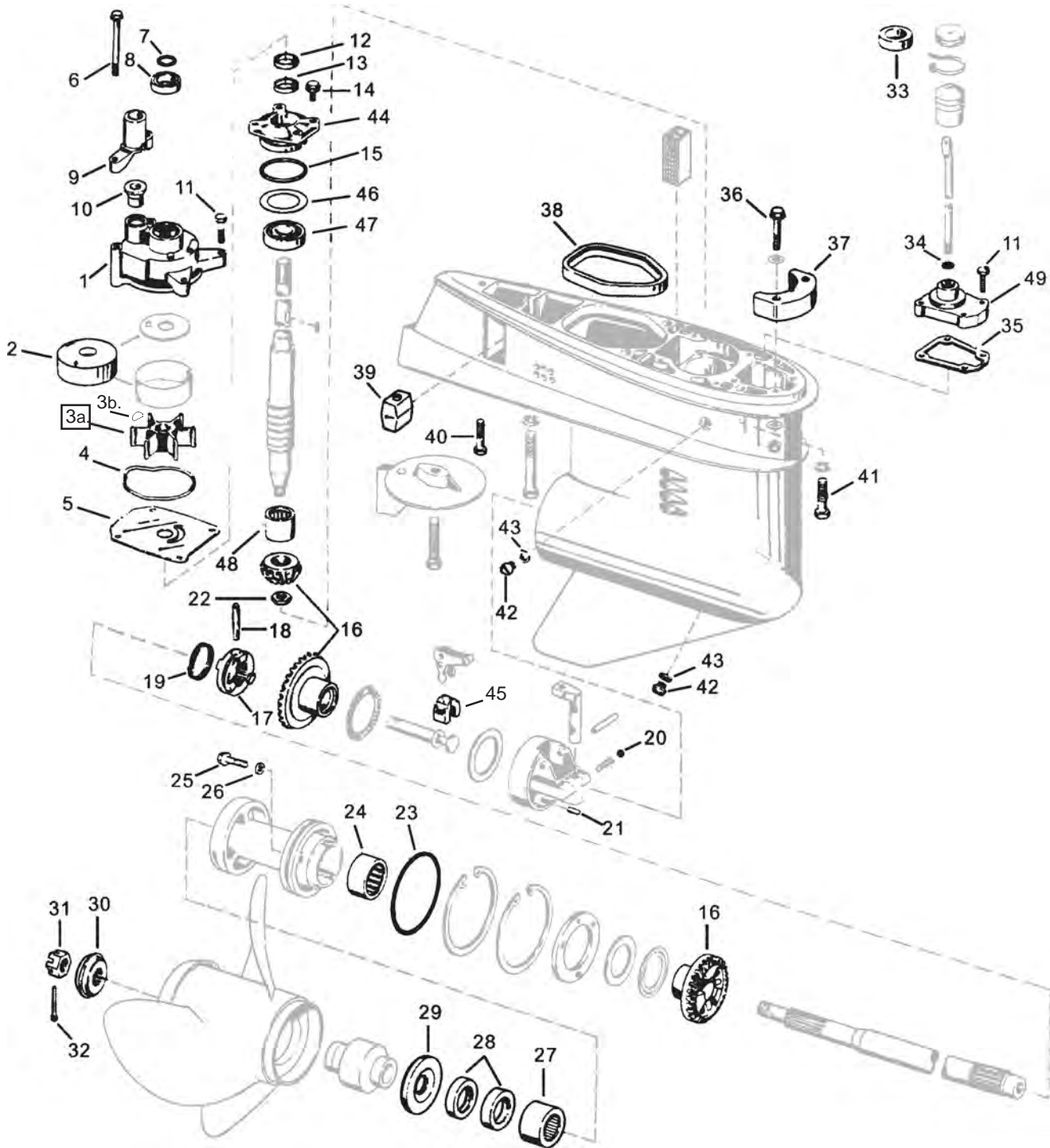
GLM No.	Ref No.	OEM No.	Description	GLM No.	Ref No.	OEM No.	Description
12480	1	438544	Pump Housing (1989-98)	11416	51	432276	Bearing Carrier
12482	1	438545	Pump Hsg. (1995-01) (2004-05)	22395	52	328744	Screw
22360	2	302325	Screw	12742	53	398873	Anode
86497	3	333758	Grommet	22392	54	328694	Screw
86491	4	341732	Grommet	22393	55	309243	Screw
82100	5	310584	O-ring	45290	56	336982	O-ring
12815	6	340619	Pump Cup	22394	57	324852	Screw
89790	7	432941	Impeller (1989-1994)	80100	58	305739	Seal
89460	7	437059	Impeller (1995-2002)	11192	59	313339	Pinion Nut
81250	8	331188	O-ring				
89592	9	334897	Key				
86570	10	324981	Seal				
12551	11	341038	Wear Plate				
33150	12	336530	Gasket				
86013	13	342786	Oil Seal				
22362	14	317624	Screw				
11422	15	398874	Bearing				
27790	16	435274	Bearing Housing Assembly				
82250	17	310327	O-ring				
21649	18	333771	Thrust Washer				
16370	19	398901	Thrust Bearing				
11430	20	382343	Bearing				
22661	21	397627	Gear Set				
22662	22	332489	Reverse Gear				
22663	23	332491	Clutch Dog				
11051	24	320311	Spring				
21133	25	320310	Cross Pin				
27942	26	333780	Bushing				
45200	27	318372	O-ring				
27940	28	434588	Cover & Bushing Assembly				
82230	29	913921	O-ring				
22145	30	306376	Cotter Pin				
22329	31	305282	Screw				
21674	32	330265	Washer				
21731	33	318544	Draining Screw				
31171	34	311598	Gasket				
22490	35	316506	Ball				
22940	36	432264	Bearing				
22870	37	382407	Bearing				
21648	38	333725	Thrust Washer				
16360	39	397538	Thrust Bearing				
16350	40	397537	Thrust Bearing				
21647	41	332514	Thrust Washer				
22890	42	386764	Bearing				
82360	43	553126	O-ring				
22900	44	386765	Bearing				
86060	45	321467	Oil Seal				
22240	46	320305	Thrust Washer				
22250	47	315810	Prop Spacer				
22150	48	314503	Prop Nut				
22120	49	314502	Cotter Pin				
22421	50	439138	Prop Shaft				

Johnson / Evinrude

GEARCASE COMPONENTS - LOOPCHARGED - SMALL

2-Cyl. Loopcharged 40-60 HP (1975-1988)

3-Cyl. Loopcharged 60-75 HP (1975-1988)



Johnson / Evinrude

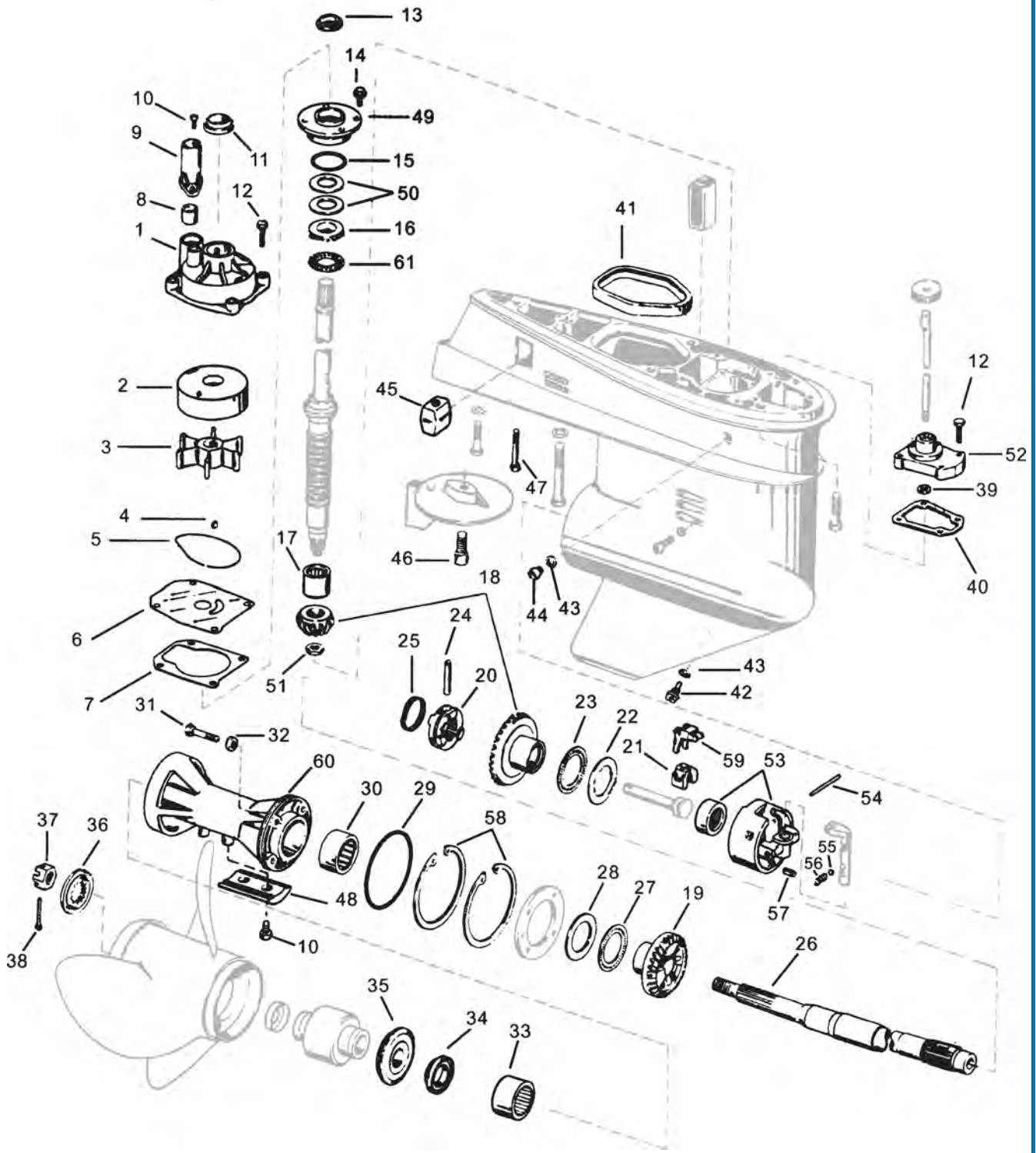
GEARCASE COMPONENTS - LOOPCHARGED - SMALL							
GLM No.	Ref No.	OEM No.	Description	GLM No.	Ref No.	OEM No.	Description
12450	1	384087	Pump Housing	21511	47	385175	Bearing
12814	2	320775-6	Pump Cup	11423	48	386766	Pinion Bearing
89660	3a.	377230	Impeller (1975-1978)	27756	49	387336	Cover & Seal Assembly
89595	3b.	308928	Key (1975-1978)				
89780	3a.	396809	Impeller (1979-1988)				
89591	3b.	331901	Key, White (1979-1988)				
89593	3b.	344470	Key, Black (1979-1988)				
86580	4	315788	Seal				
12620	5	320981	Wear Plate				
22324	6	331980	Screw				
81120	7	303059	O-ring				
86491	8	341732	Grommet				
12940	9	315838	Tube Guide				
86494	10	315837	Grommet				
22360	11	302325	Screw				
86460	12	332205	Oil Seal				
86160	13	321466	Oil Seal				
86013	12,13	342786	Oil Seal (one piece)				
22327	14	909386	Screw				
82240	15	302588	O-ring				
22681	16	433570	Gear Set				
22683	17	319895	Clutch Dog				
22044	18	320310	Cross Pin				
11051	19	320311	Spring				
22491	20	160084	Detent Ball				
21138	21	331880	Pin				
11192	22	313339	Pinion Nut				
82320	23	320303	O-ring				
22890	24	386764	Bearing				
22400	25	320041	Screw				
80100	26	332584	O-ring				
22900	27	386765	Bearing				
86060	28	321467	Oil Seal				
22240	29	320305	Thrust Washer				
22250	30	315810	Prop Spacer				
22150	31	314503	Prop Nut				
22120	32	314502	Cotter Pin				
86140	33	305762	Grommet				
45200	34	318372	O-ring				
33420	35	314082	Gasket				
22322	36	324430	Screw				
12738	37	392462	Anode				
86210	38	324937	Seal				
12776	39	436745	Anode				
22366	40	328096	Screw				
22329	41	305282	Screw				
22420	42	307551	Screw				
31171	43	311598	Gasket				
22728	44	387067	Bearing Housing & Seal				
27730	45	334163	Cradle				
23530	46	320166	Shim .003				
23540	46	320167	Shim .004				
23550	46	320168	Shim .005				

Johnson / Evinrude

GEARCASE COMPONENTS - LOOPCHARGED - LARGE

2-Cyl. Loopcharged 40-60 HP (1975-2006)

3-Cyl. Loopcharged 60-75 HP (1975-2001)



Johnson / Evinrude

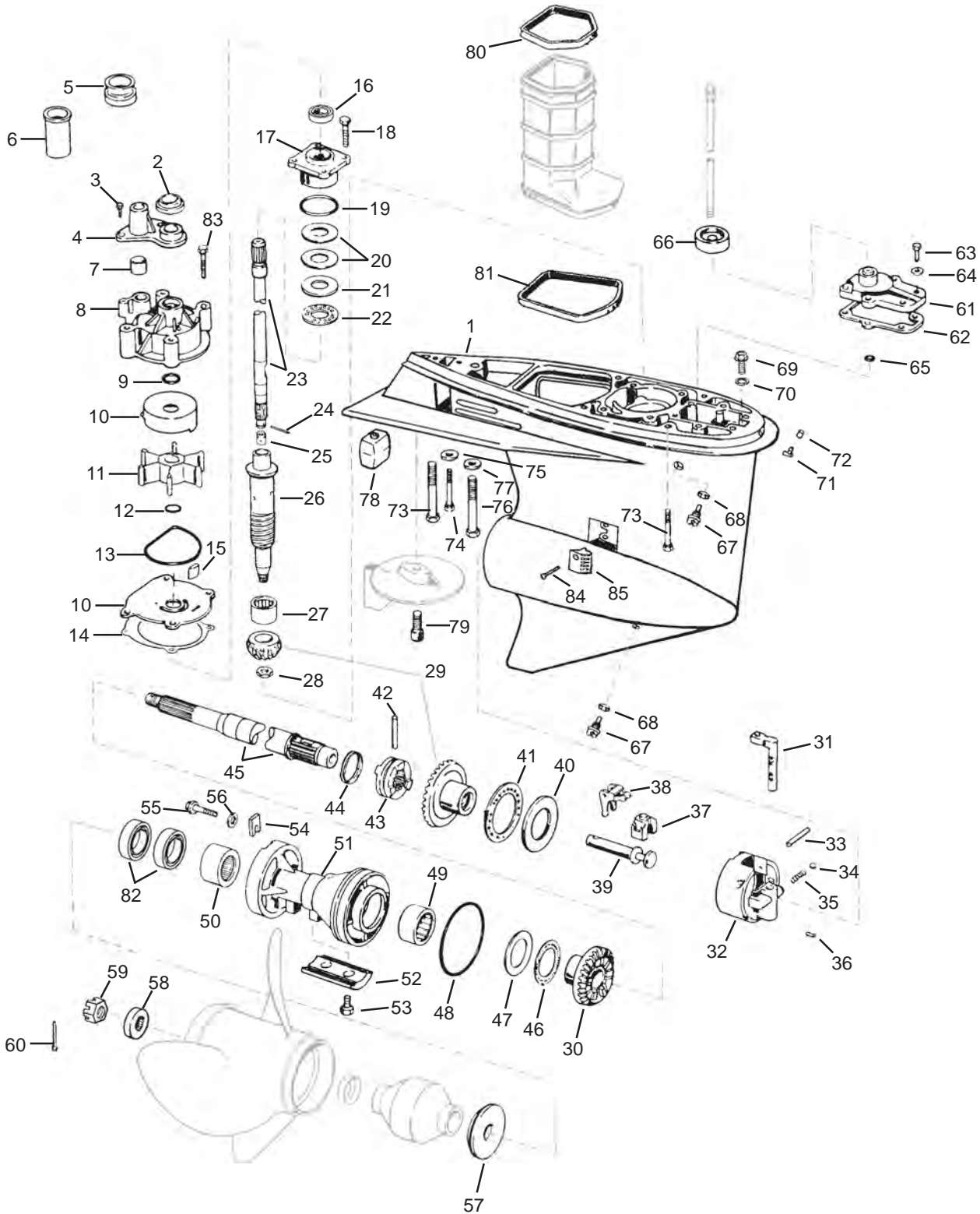
GEARCASE COMPONENTS - LOOPCHARGED - LARGE

GLM No.	Ref No.	OEM No.	Description	GLM No.	Ref No.	OEM No.	Description
12400	1	438543	Pump Housing	22722	49	385087	Bearing Housing & Seal
12815	2	340619	Pump Cup	22726	49	435519	Bearing Housing & Seal
89940	3	382547	Impeller (1975-1978)	23600	50	323889	Shim .003
89710	3	396725	Impeller (1979-2006)	23610	50	323890	Shim .004
89595	4	308928	Key (1975-1978)	23620	50	317232	Shim .005
89591	4	331901	Key, White (1979-2006)	11192	51	313339	Pinion Nut
89592	4	334897	Key, Black (1979-2006)	27754	52	388651	Cover & Seal Assembly
34330	5	319586	Gasket (1975-1978)	27702	53	391365	Housing & Bearing Assembly
86570	5	324981	Seal (1979-2006)	21105	54	320145	Pin
12551	6	341038	Wear Plate	22493	55	327345	Detent Ball
33150	7	336530	Gasket	11039	56	911961	Spring
86490	8	314008	Grommet	21138	57	331880	Pin
12950	9	319276	Tube Guide	21774	58	313445	Retaining ing
22320	10	908158	Screw	27741	59	324037	Lever
86491	11	341732	Grommet	11390	60	434391	Bearing Carrier
22360	12	302325	Screw	16320	61	385068	Thrust Bearing
86013	13	342786	Oil Seal				
22327	14	909386	Screw				
81340	15	313754	O-ring				
21643	16	317230	Thrust Washer				
11430	17	382343	Bearing				
22671	18	397338	Gear Set				
22672	19	318304	Reverse Gear				
22673	20	318303	Clutch Dog				
27730	21	334163	Cradle				
21644	22	324766	Thrust Washer				
16310	23	385043	Thrust Bearing				
21135	24	313448	Cross Pin				
11052	25	324369	Spring				
22418	26	439185	Prop Shaft				
16300	27	382408	Thrust Bearing				
21641	28	313447	Thrust Washer				
82370	29	313446	O-ring				
22870	30	382407	Bearing				
22400	31	320041	Screw				
81100	32	332584	O-ring				
22860	33	379504	Bearing				
86030	34	330137	Oil Seal				
22230	35	127084	Thrust Washer				
22250	36	315810	Prop Spacer				
22150	37	314503	Prop Nut				
22120	38	314502	Cotter Pin				
45200	39	318372	O-ring				
33420	40	314082	Gasket				
86210	41	324937	Seal				
21731	42	318544	Draining Screw				
31170	43	311598	Gasket				
22420	44	307551	Screw				
12776	45	436745	Anode				
22368	46	313715	Screw				
22366	47	328096	Screw				
12737	48	431708	Anode				

Johnson / Evinrude

GEARCASE COMPONENTS - V4 60° (1995-2006)

2.00:1 (.50) Gear Ratio



Johnson / Evinrude

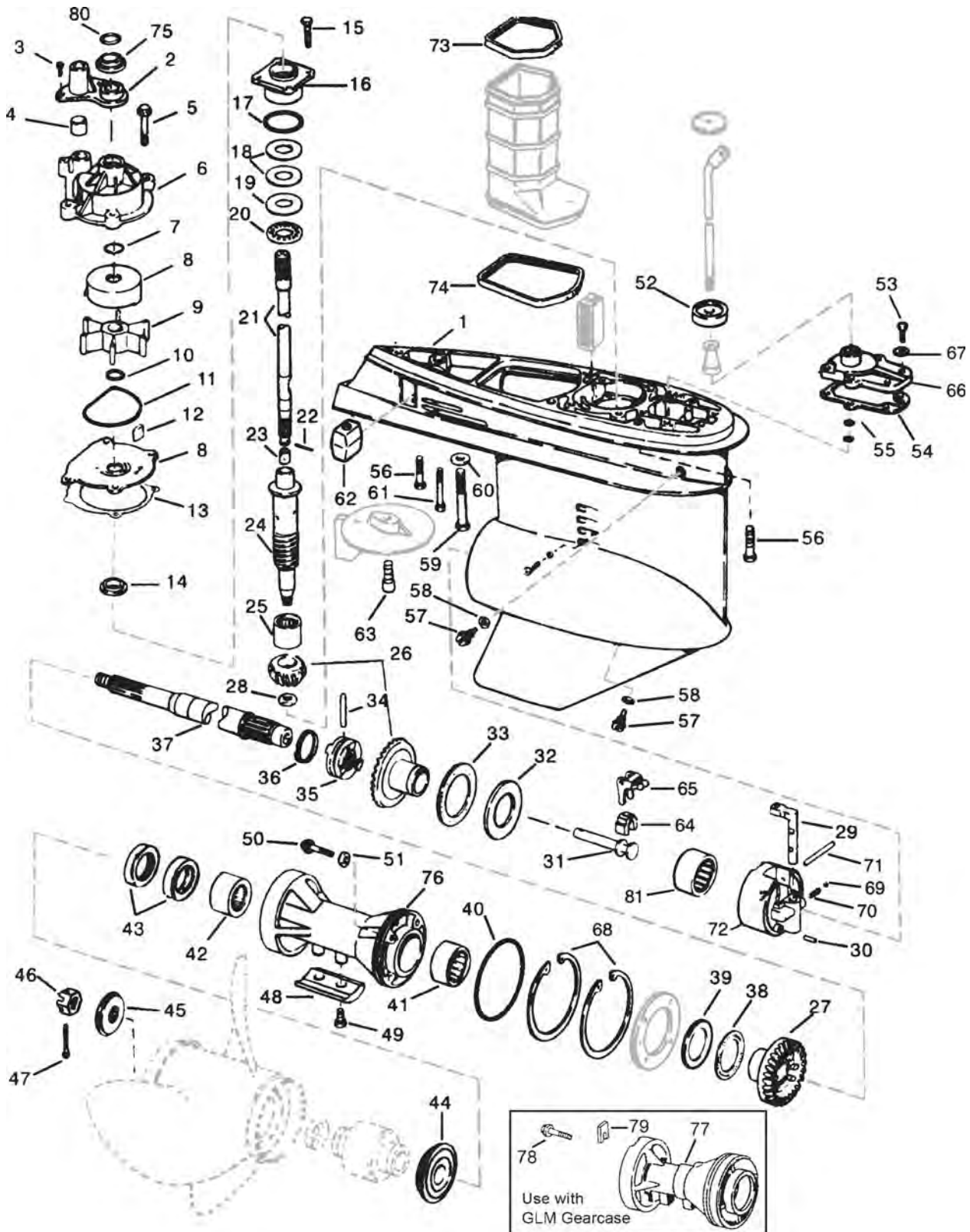
GEARCASE COMPONENTS - V4 60° (1995-2006)

GLM No.	Ref No.	OEM No.	Description	GLM No.	Ref No.	OEM No.	Description
28500	1	5004767	Gearcase Assembly	82370	48	313446	O-ring
86480	2	320943	Grommet	22870	49	382407	Bearing
22370	3	306643	Screw	22860	50	379504	Bearing
12570	4	338893	Tube Guide	11398	51	5000440	Bearing Carrier
86495	5	338601	Grommet	12737	52	431708	Anode
12827	6	338636	Tube Spacer (Short)	22320	53	908158	Screw
86490	7	314008	Grommet	27850	54	333957	Tab
12430	8	435959	Pump Housing (25" Transom)	22373	55	350271	Screw
				21659	56	328743	Washer
12395	8	435990	Pump Housing (20" Transom)	22230	57	127084	Thrust Washer (3-Blade)
				22250	58	315810	Spacer
81250	9	331188	O-ring	22150	59	314503	Prop Nut
12880	10	435027	Cup & Plate Assembly	22120	60	314502	Cotter Pin
89570	11	435821	Impeller	27752	61	5006241	Cover & Seal Assembly
82120	12	302035	O-ring	33020	62	324670	Gasket
86660	13	331353	Seal	22360	63	302325	Screw
33730	14	338484	Gasket	21678	64	328702	Washer
89590	15	331107	Key	45200	65	318372	O-ring
86011	16	341280	Oil Seal	86500	66	321008	Grommet
22720	17	439476	Bearing Housing & Seal	21731	67	318544	Draining Screw
22362	18	317624	Screw	31171	68	311598	Gasket
81380	19	314728	O-ring	22374	69	341220	Screw
23590	20	323362	Shim .003	21677	70	437330	Seal Washer
23580	20	323361	Shim .004	28352	71	336535	Nipple
23510	20	314745	Shim .005	28353	72	305749	Cap
21645	21	327656	Thrust Washer	22371	73	331999	Screw
16330	22	387656	Thrust Bearing	22327	74	909386	Screw
22435	23	5000615	Drive Shaft	21763	75	307161	Lockwasher
21139	24	311538	Pin	22458	76	331998	Screw
28351	25	338504	Retainer	21674	77	330265	Washer
22405	26	346004	Lower Drive Shaft	12776	78	436745	Anode
22880	27	384195	Pinion Bearing	22368	79	313715	Screw
11190	28	314730	Nut	85830	80	320936	Seal
22631	29	436746	P / Forward Gear Set	85840	81	320961	Seal
22632	30	345992	Reverse Gear	86030	82	330137	Oil Seal
27720	31	915954	Detent	22360	83	302325	Screw
27702	32	391365	Housing & Bearing Assembly	22363	84	337061	Screw
21105	33	320145	Pin	21885	85	337778	Screen
22493	34	327345	Detent Ball				
11039	35	911961	Spring				
21138	36	331880	Pin				
27730	37	334163	Cradle				
27741	38	324037	Lever				
27710	39	322941	Shaft				
21644	40	324766	Thrust Washer				
16310	41	385043	Thrust Bearing				
21135	42	313448	Pin				
22633	43	323664	Clutch Dog				
11052	44	324369	Spring				
22419	45	436834	Prop Shaft				
16300	46	382408	Thrust Bearing				
21642	47	314731	Thrust Washer				

Johnson / Evinrude

GEARCASE COMPONENTS - V4 90° (1978-1998)

2.00:1 (.50) Gear Ratio



Johnson / Evinrude

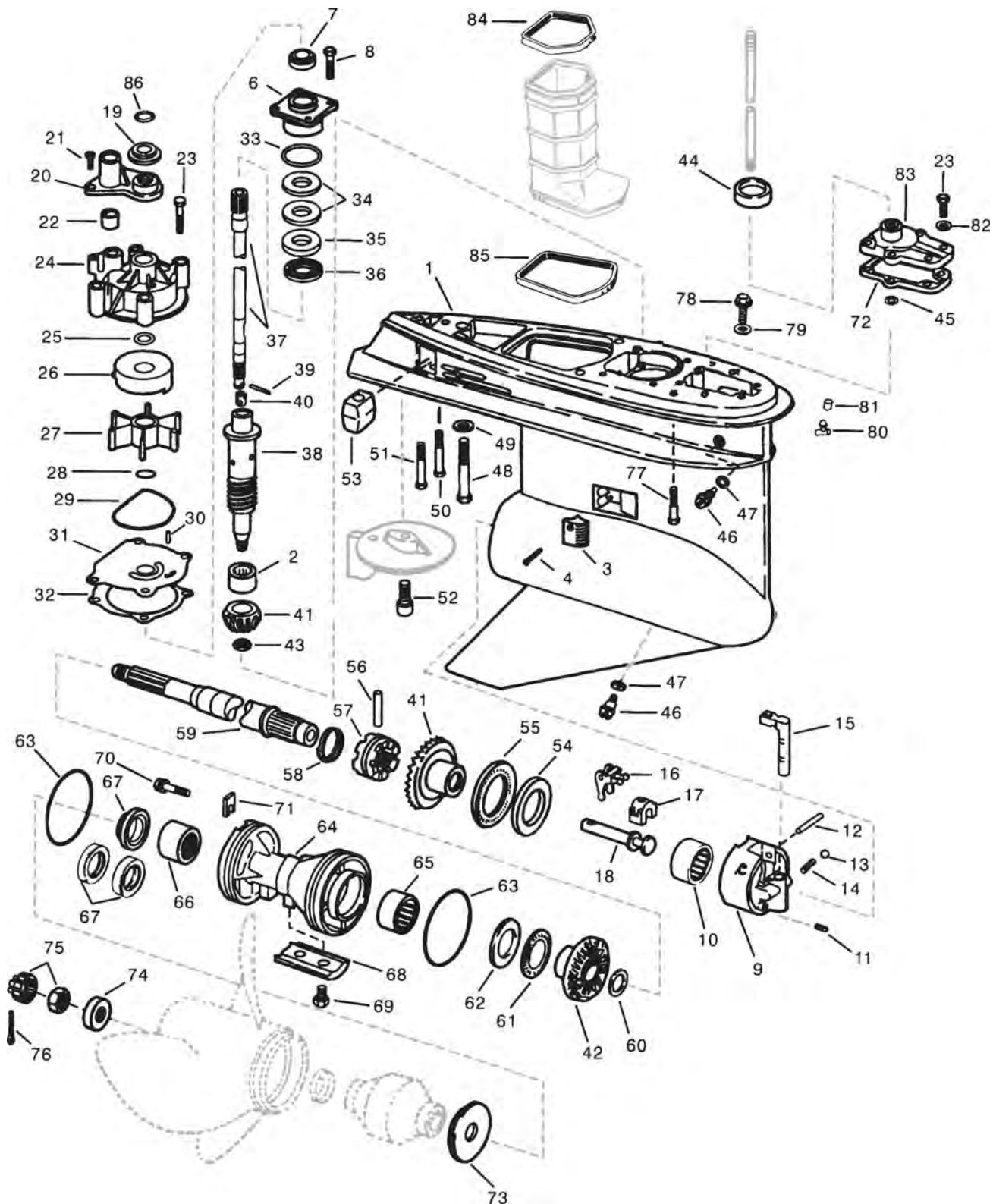
GEARCASE COMPONENTS - V4 90° (1978-1998)

GLM No.	Ref No.	OEM No.	Description	GLM No.	Ref No.	OEM No.	Description
28200	1	431642	Gearcase Assembly	22250	45	315810	Spacer
12570	2	338893	Tube Guide	22150	46	314503	Nut
22370	3	306643	Screw	22120	47	314502	Cotter Pin
86490	4	314088	Grommet	12737	48	431708	Anode
22360	5	302325	Screw	22320	49	908158	Screw
12430	6	435959	Pump Housing (25" Transom)	22300	50	316563	Screw & Seal
				86640	51	332583	Seal
12395	6	435990	Pump Housing (20" Transom)	86500	52	321008	Grommet
				22360	53	302325	Screw
81250	7	331188	O-ring	33020	54	324670	Gasket
12880	8	435027	Cup & Plate Assembly	45200	55	318372	O-ring
89570	9	5001593	Impeller	22371	56	331999	Screw
82120	10	302035	O-ring	21731	57	318544	Draining Screw
86660	11	331353	Seal	31171	58	311598	Gasket
89590	12	331107	Key	22365	59	331998	Screw
33730	13	338484	Gasket	21674	60	330265	Washer
86011	14	341280	Oil Seal	22366	61	328096	Screw
22362	15	317624	Screw	12776	62	436745	Anode
22720	16	439476	Bearing Housing & Seal	22368	63	313715	Screw
81380	17	314728	O-ring	27730	64	334163	Cradle
23590	18	323362	Shim .003	27741	65	324037	Lever
23580	18	323361	Shim .004	27752	66	5006241	Cover & Seal Assembly
23510	18	314745	Shim .005	21678	67	328702	Washer
21645	19	327656	Thrust Washer	21774	68	313445	Retaining Ring
16330	20	387656	Thrust Bearing	22493	69	327345	Detent Ball
22431	21	5000618	Drive Shaft (L)	11039	70	911961	Spring
22433	21	5000614	Drive Shaft (L)	21105	71	320145	Pin
22432	21	5000626	Drive Shaft (XL)	27702	72	391365	Housing & Bearing Assembly
22434	21	5000623	Drive Shaft (XL)	85830	73	320936	Seal
21139	22	311538	Pin	85840	74	320961	Seal
28351	23	338504	Retainer	86480	75	320943	Grommet
22409	24	346006	Lower Drive Shaft	11392	76	397087	Bearing Carrier
22880	25	384195	Pinion Bearing	11388	77	GLM	Bearing Carrier
22631	26	436746	P / Forward Gear Set	22373	78	350271	Screw
22632	27	340490	Reverse Gear	27850	79	333957	Tab
11190	28	314730	Nut	81165	80	310585	O-ring
27720	29	915954	Detent	22870	81	382407	Bearing
21138	30	331880	Pin				
27710	31	322941	Shaft				
21644	32	324766	Thrust Washer				
16310	33	385043	Thrust Bearing				
21135	34	313448	Cross Pin				
22633	35	323664	Clutch Dog				
11052	36	324369	Spring				
22416	37	436888	Prop Shaft				
16300	38	382408	Thrust Bearing				
21642	39	314731	Thrust Washer				
82370	40	313446	O-ring				
22870	41	382407	Bearing				
22860	42	379504	Bearing				
86030	43	330137	Oil Seal				
22230	44	127084	Thrust Washer				

Johnson / Evinrude

GEARCASE COMPONENTS - V4/V6 "O" TYPE (1979-2006)

V4 2.25:1 (.44) Gear Ratio - V6 1.86:1 (.54) Gear Ratio



Johnson / Evinrude

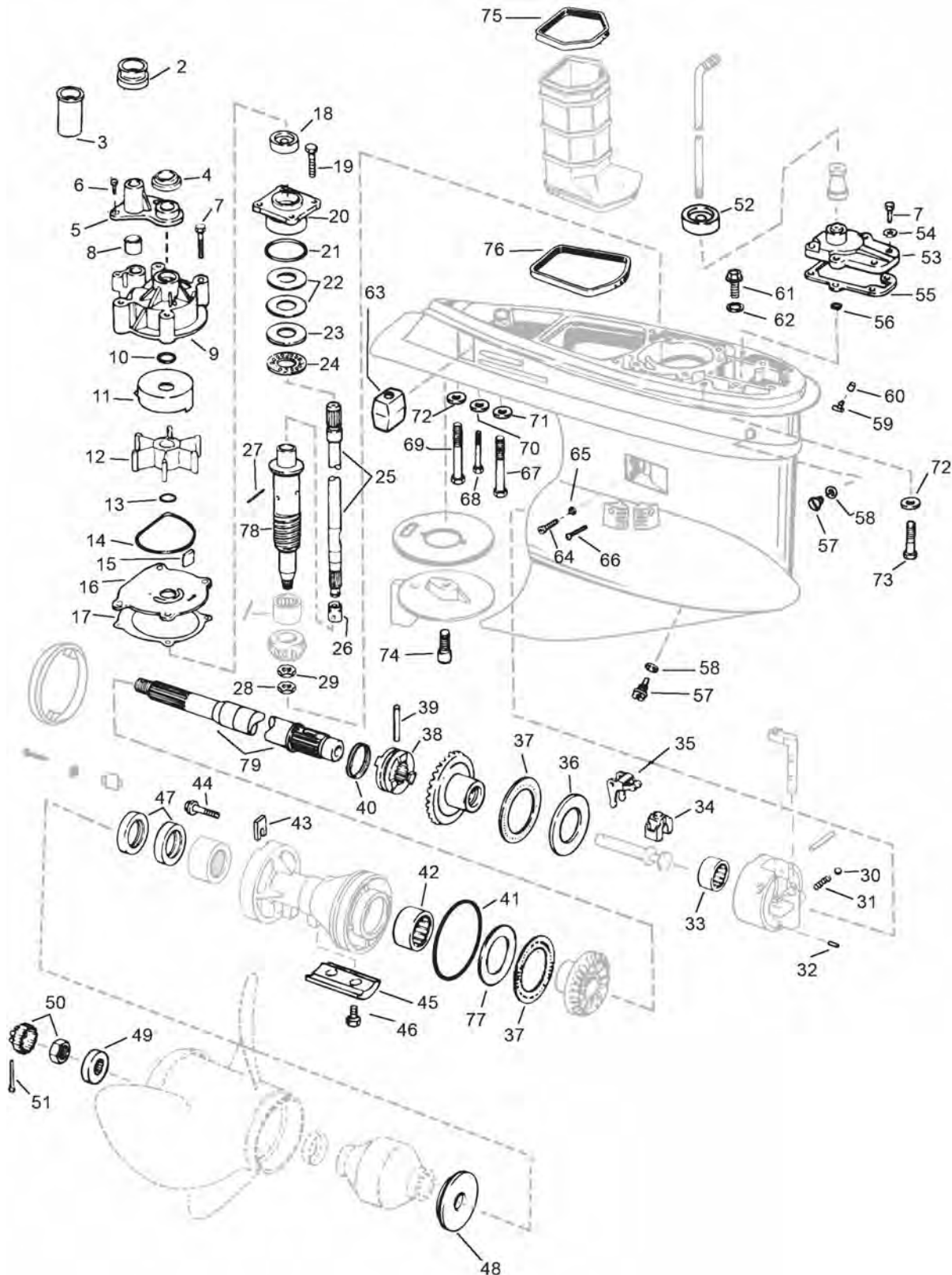
GEARCASE COMPONENTS - V4/V6 "O" TYPE (1979-2006)

GLM No.	Ref No.	OEM No.	Description	GLM No.	Ref No.	OEM No.	Description
28700	1	439973	Gearcase Assembly / Tube	11190	43	314730	Nut
28800	1	439972	Gearcase Assembly	86500	44	321008	Grommet
21610	2	387817	Pinion Bearing	45200	45	318372	O-ring
21885	3	337778	Screen	21731	46	318544	Draining Screw
22363	4	337061	Screw	31171	47	311598	Gasket
85840	5	320961	Seal	22365	48	331998	Screw
22720	6	439476	Bearing Housing & Seal	21674	49	330265	Washer
86011	7	341280	Oil Seal	22366	50	328096	Screw
22362	8	317624	Screw	22367	51	330263	Screw
27700	9	389455	Housing & Bearing Assembly	22368	52	313715	Screw
22910	10	389039	Bearing	12776	53	436745	Anode
21138	11	331880	Pin	21646	54	327669	Thrust Washer
21137	12	328825	Pin	16340	55	389042	Thrust Bearing
22491	13	160084	Detent Ball	21135	56	313448	Cross Pin
11055	14	911962	Spring	22625	57	337774	Clutch Dog
27720	15	915954	Detent	11052	58	324369	Spring
27740	16	322938	Lever	22414	59	395209	Prop Shaft (1-3/16") V6
27730	17	334163	Cradle	22417	59	5004765	Prop Shaft (1-1/4") V4/V6
27710	18	322941	Shaft	21651	60	336565	Thrust Washer
86480	19	320943	Grommet	16300	61	382408	Thrust Bearing
12570	20	338893	Tube Guide	21642	62	314731	Thrust Washer
22370	21	306643	Screw	82400	63	305123	O-ring
86490	22	314008	Grommet	11406	64	5000074	Bearing Carrier (1-3/16")
22360	23	302325	Screw	11408	64	5004257	Bearing Carrier (1-1/4")
12430	24	435959	Pump Housing (25" Transom)	22870	65	382407	Bearing
				11410	66	387247	Bearing (Inside ø 1-3/16")
12395	24	435990	Pump Housing (20" Transom)	22950	66	434467	Bearing (Inside ø 1-1/4")
				86012	67	341281	Oil Seal (1-1/4") 1 pc.
81250	25	331188	O-ring	86810	67	334950	Oil Seal (1-1/4") 2 pcs.
12811	26	338486	Pump Cup	85130	67	320862	Oil Seal (1-3/16") 2 pcs.
89570	27	5001593	Impeller	12737	68	431708	Anode
82120	28	302035	O-ring	22320	69	908158	Screw
86660	29	331353	Seal	22373	70	350271	Screw
89590	30	331107	Key	27850	71	333957	Tab
12580	31	338485	Wear Plate	33020	72	324670	Gasket
33730	32	338484	Gasket	22221	73	126870	Thrust Washer
81380	33	314728	O-ring	22190	74	320570	Spacer
23590	34	323362	Shim .003	22185	75	398042	Nut & Keeper
23580	34	323361	Shim .004	22142	76	306394	Cotter Pin
23510	34	314745	Shim .005	22371	77	331999	Screw
21645	35	327656	Thrust Washer	22374	78	341220	Screw
16330	36	387656	Thrust Bearing	21677	79	437330	Seal Washer
22435	37	5000615	Drive Shaft (Long)	28352	80	336535	Nipple
22436	37	5000624	Drive Shaft (XL)	28353	81	305749	Cap
22407	38	345905	Lower Drive Shaft	21678	82	328702	Washer
21139	39	311538	Pin	27752	83	5006241	Cover & Seal Assembly
28351	40	338504	Retainer	85830	84	320936	Seal
22651	41	435123	P / Forward Gear Set V4	85840	85	320961	Seal
22623	41	5004938	P / Forward Gear Set V6	81165	86	310585	O-ring
22653	42	336574	Reverse Gear V4				
22624	42	910994	Reverse Gear V6				
22666	41+42	N/A	Gear Set (Heavy Duty)				

Johnson / Evinrude

GEARCASE COMPONENTS - V4/V6 "M" TYPE (2002-2006)

V4 2.25:1 (.44) Gear Ratio - V6 1.86:1 (.54) Gear Ratio



Johnson / Evinrude

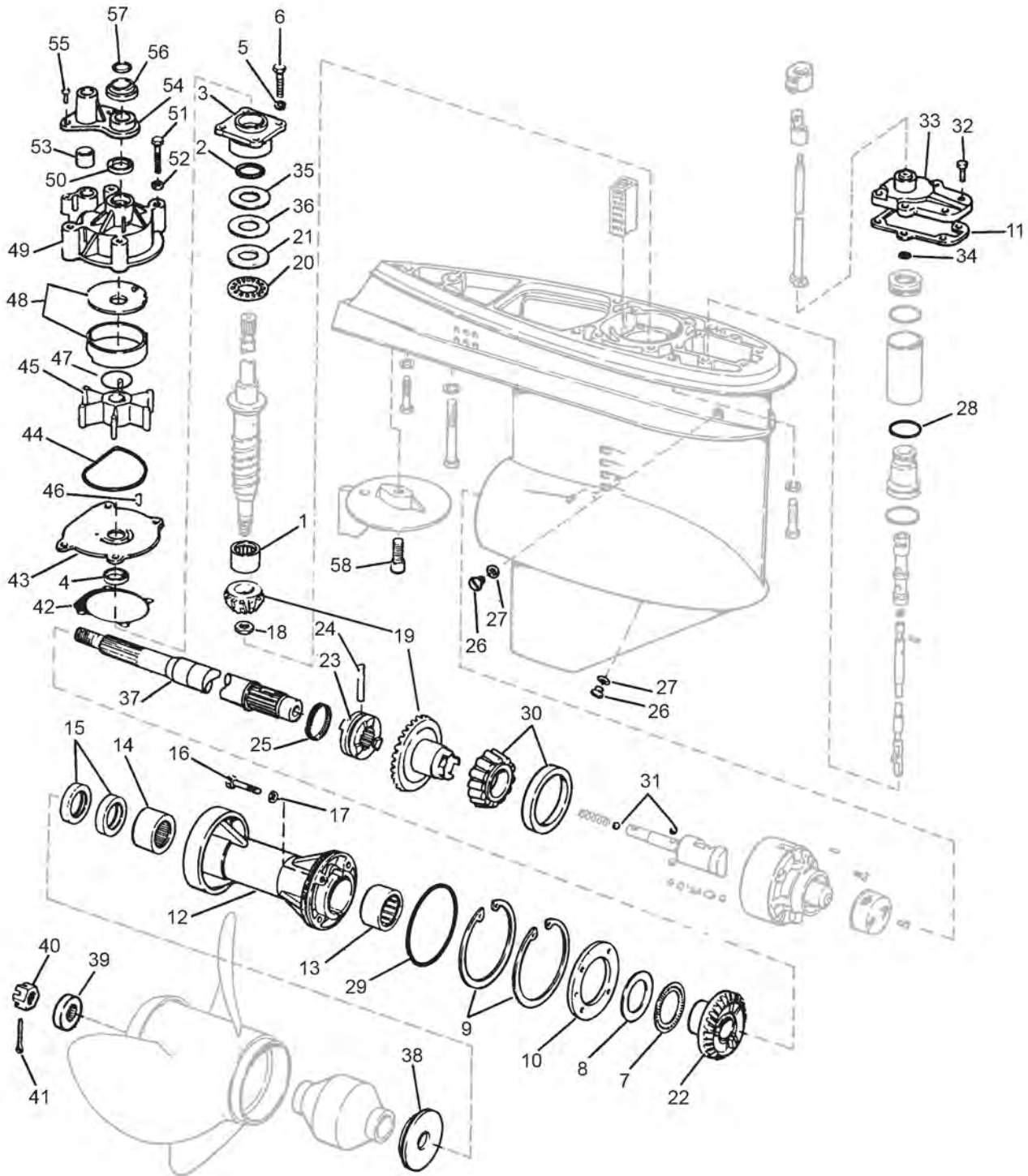
GEARCASE COMPONENTS - V4/V6 "M" TYPE (2002-2006)

GLM No.	Ref No.	OEM No.	Description	GLM No.	Ref No.	OEM No.	Description
21610	1	387817	Pinion Bearing	22221	48	126870	Thrust Washer
86495	2	338601	Grommet	22190	49	320570	Spacer
12827	3	338636	Tube Spacer	22185	50	398042	Nut & Keeper
86480	4	320943	Grommet	22142	51	306394	Cotter Pin
12570	5	338893	Tube Guide	86500	52	321008	Grommet
22370	6	306643	Screw	27752	53	5006241	Cover & Seal Assembly
22360	7	302325	Screw	21678	54	328702	Washer
86490	8	314008	Grommet	33020	55	352165	Gasket
12430	9	435959	Pump Housing	45200	56	318372	O-ring
81250	10	331188	O-ring	21731	57	318544	Draining Screw
12811	11	338486	Pump Cup	31171	58	311598	Gasket
89570	12	5001593	Impeller	28352	59	336535	Nipple
82120	13	302035	O-ring	28353	60	305749	Cap
86660	14	331353	Seal	22374	61	341220	Screw
89590	15	331107	Key	21677	62	437330	Seal Washer
12580	16	338485	Wear Plate	12776	63	436745	Anode
33730	17	338484	Gasket	22394	64	324852	Screw
86011	18	341280	Oil Seal	80100	65	305739	Seal
22362	19	317624	Screw	22363	66	337061	Screw
22720	20	439476	Bearing Housing & Seal	22365	67	331998	Screw
81380	21	314728	O-ring	22327	68	909386	Screw
23590	22	323362	Shim .003	22367	69	330263	Screw
23580	22	323361	Shim .004	21763	70	307161	Lockwasher
23510	22	314745	Shim .005	21674	71	330265	Washer
21645	23	327656	Thrust Washer	21762	72	330266	Lockwasher
16330	24	387656	Thrust Bearing	22371	73	331999	Screw
22433	25	5000614	Drive Shaft 20" L	22368	74	313715	Screw
22434	25	5000623	Drive Shaft 25" L	85830	75	320936	Seal
22436	25	5000624	Drive Shaft 25" L	85840	76	320961	Seal
28351	26	338504	Retainer	21654	77	349193	Thrust Washer
21139	27	311538	Pin	22403	78	347371	Lower Drive Shaft
11190	28	314730	Nut	22417	79	5004765	Prop shaft
32800	29	350038	Washer				
22491	30	160084	Detent Ball				
11055	31	911962	Spring				
21138	32	331880	Pin				
22910	33	389039	Bearing				
27730	34	334163	Cradle				
27740	35	322938	Lever				
21646	36	327669	Thrust Washer				
16340	37	389042	Thrust Bearing				
22625	38	337774	Clutch Dog				
21135	39	313448	Cross Pin				
11052	40	324369	Spring				
82440	41	326849	O-ring				
22870	42	382407	Bearing				
27850	43	333957	Tab				
22373	44	350271	Screw				
12737	45	431708	Anode				
22320	46	908158	Screw				
86012	47	341281	Oil Seal - 1 pc.				
86810	47	334950	Oil Seal - 2 pcs.				

Johnson / Evinrude

GEARCASE COMPONENTS - V6 (1976-1978)

Hydraulic Shift



Johnson / Evinrude

GEARCASE COMPONENTS - V6 (1976-1978)

GLM No.	Ref No.	OEM No.	Description	GLM No.	Ref No.	OEM No.	Description
21610	1	387817	Pinion Bearing	86490	53	314008	Water Tube Grommet
81380	2	314728	O-ring Drive Shaft Bearing	12570	54	338893	Water Tube Cover
22720	3	439476	Bearing Housing & Seal	22370	55	306643	Water Tube Cover Screws
85120	4	321453	Oil Seal, Drive Shaft	86480	56	320943	Water Tube Cover Grommet
N/A	5	301250	Washer, Bearing Housing	81160	57	310585	O-ring
N/A	6	316534	Screw, Bearing Housing	22368	58	313715	Screw, Trim Tab
16300	7	382408	Reverse Thrust Bearing				
21642	8	314731	Reverse Thrust Washer				
N/A	9	321171	Retaining Ring				
N/A	10	321174	Retainer Plate				
N/A	11	321162	Gasket, Shift Cover				
N/A	12	387374	Bearing Carrier, Prop Shaft				
N/A	13	382407	Reverse Gear Bearing				
11410	14	387247	Needle Bearing, Prop Shaft				
85130	15	320862	Prop Shaft Seal				
22300	16	316563	Carrier Retainer Screw				
N/A	17	317178	O-ring Carrier Screw				
11190	18	314730	Pinion Nut				
22621	19	320635	Pinion & Forward Gear				
16330	20	387656	Pinion, Thrust Bearing				
21645	21	327656	Pinion, Thrust Washer				
22624	22	320631	Reverse Gear				
22625	23	320630	Clutch Dog				
21135	24	313448	Pin, Clutch Dog				
11052	25	324369	Spring, Clutch Dog				
22420	26	307551	Drain Plug				
N/A	27	311598	Drain Plug Nylon Washer				
82130	28	320140	O-ring, Shift				
82400	29	305123	O-ring Prop Shaft Carrier				
N/A	30	386319	Forward Gear Bearing Assembly				
22490	31	316506	Detent Ball				
N/A	32	318139	Cover Screw				
N/A	33	387384	Cover & Seal Assembly				
45200	34	318372	O-ring, Shift Rod				
N/A	35	314742	Shim .002				
23510	36	314745	Shim .005				
22415	37	387130	Prop Shaft				
22220	38	333592	Prop Thrust Bushing				
22190	39	320570	Prop Nut Spacer				
22180	40	320569	Prop Nut				
22110	41	309955	Prop Nut Cotter Pin				
33730	42	338484	Gasket, Plate				
12580	43	321188	Plate, Impeller				
86660	44	331353	Seal, Plate to Housing				
89680	45	385528	Impeller, W.P.				
89595	46	308928	Impeller Key				
81250	47	321175	O-ring Impeller				
12811	48	338486	Cup				
12395	49	435990	Housing				
85120	50	321453	Seal				
22360	51	302873	Screw, Water Pump				
21673	52	305981	Washer, Screw				



Section 3

Johnson / Evinrude Gearcase Kits

<i>Complete Small Gearcase Assembly Kits - V4 90°</i>	40
<i>Rebuild Kits - Small Gearcase - V4 90°</i>	40
<i>Complete Small Gearcase Assembly Kits - V4 60°</i>	41
<i>Rebuild Kits - Small Gearcase - V4 60°</i>	41
<i>Complete Gearcase Assembly Kits - V4/V6 "O" Type</i>	42
<i>Gearcase Rebuild Kits - V4/V6 "O" Type</i>	42
<i>Gearcase Seal Kits</i>	43
<i>Gearcase Seal Kits - Mechanical Shift Thru-Prop Exhaust</i>	44
<i>Gearcase Seal Kits - Electric Shift w/ Cavitation Plate Exhaust ...</i>	45
<i>Gearcase Seal Kits - Electric/Hydraulic Shift Thru-Prop Exhaust</i>	45
<i>Gearcase Seal Kits - Two Piece Gearcase w/ Cavitation Plate Exhaust ..</i>	46
<i>Gearcase Seal Kits Applications</i>	47

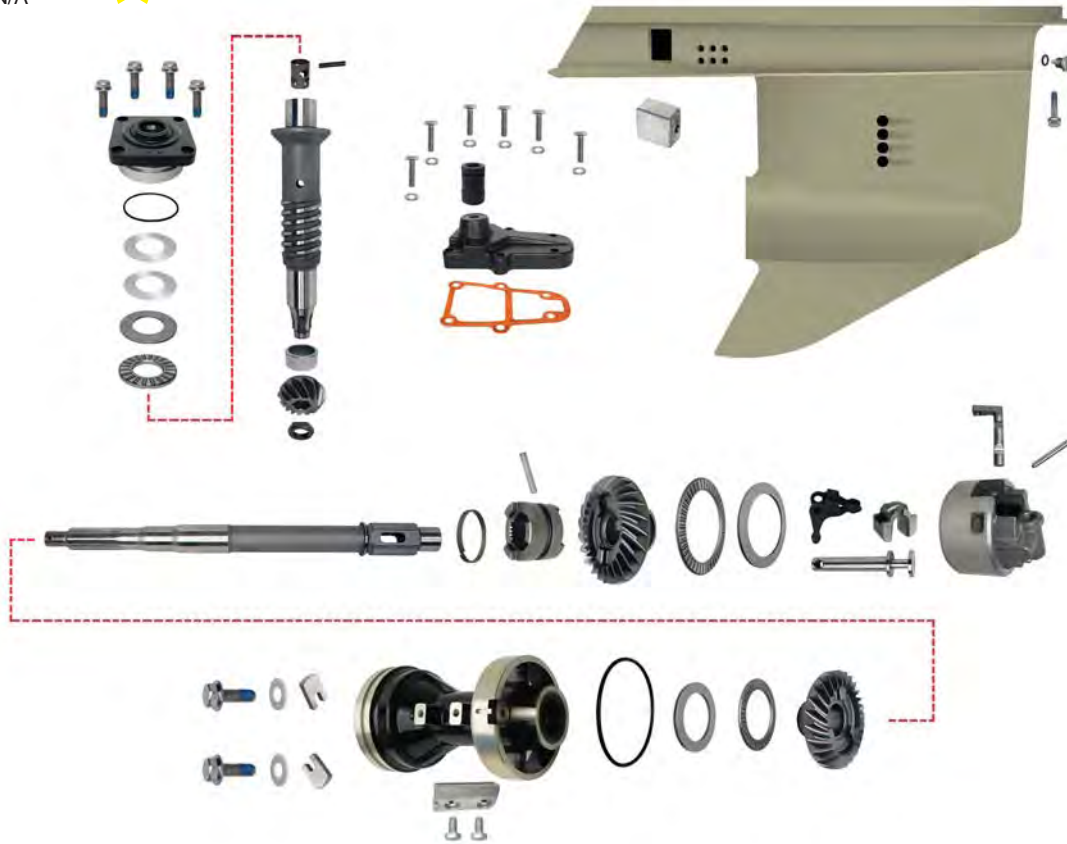
Johnson / Evinrude

COMPLETE SMALL GEARCASE ASSEMBLY KITS - V4 90°

No. 28220

NEW

OEM: N/A



REBUILD KITS - SMALL GEARCASE - V4 90°

No. 28240

NEW

OEM: N/A



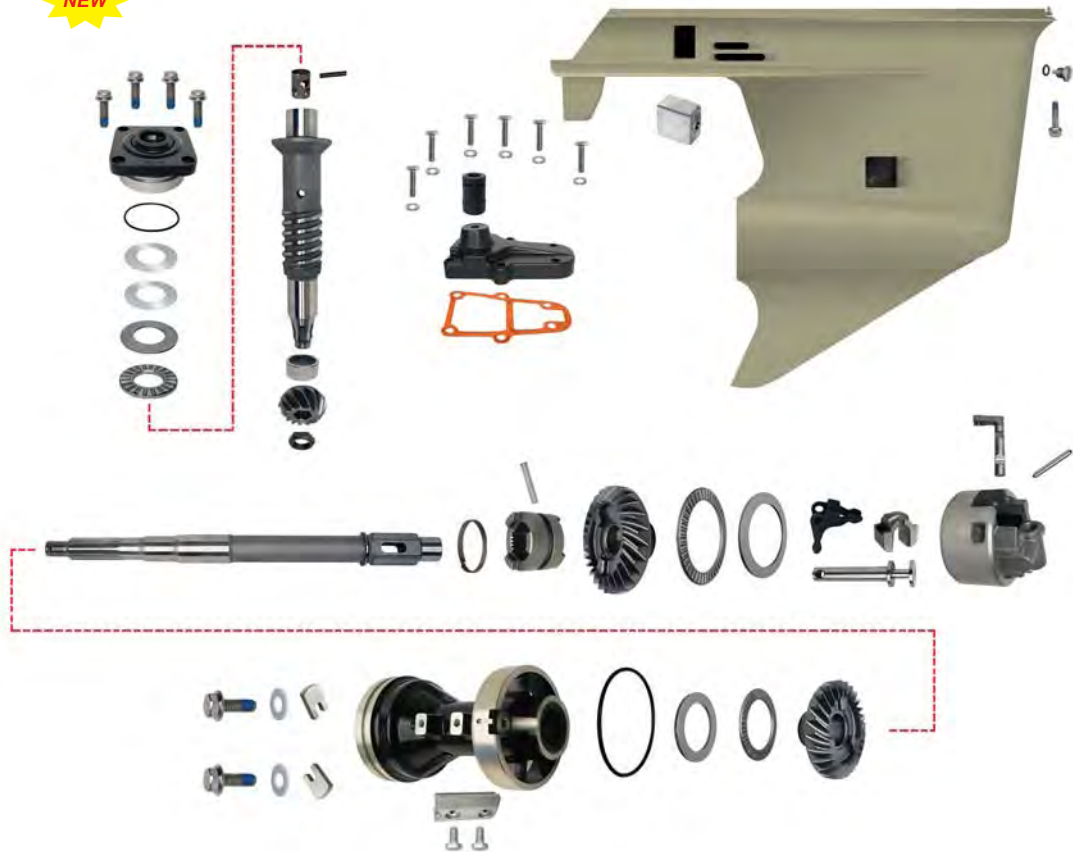
Johnson / Evinrude

COMPLETE SMALL GEARCASE ASSEMBLY KITS - V4 60°

No. 28520



OEM: N/A



REBUILD KITS - SMALL GEARCASE - V4 60°

No. 28540



OEM: N/A



Johnson / Evinrude

GEARCASE SEAL KITS

No. 87600

OEM: 5006373



Fits All V4/V6/V8 (1978-2006) Outboard Engines with a Mechanical Shift Gearcase

Kit Contains:

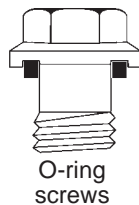
GLM	OEM	ITEM	GLM	OEM	ITEM
86030 (2)	330137	Prop Shaft Seal V4	82440 (3)	326849	Prop Shaft Carrier O-ring V6 60° Gearcase
85130 (2)	320862	Prop Shaft Seal V4, V6 1-3/16" shaft	82400 (2)	305123	Prop Shaft Carrier O-ring "O"+ "M" Type Gearcase
86810 (2)	334950	Prop Shaft Seal V4, V6 1-1/4" shaft	81380	314728	Drive Shaft Carrier O-ring
85120 (2)	321453	Drive Shaft Seal (1985 & Before)	45200 (2)	318372	Shift Cover O-ring
86011	341280	Drive Shaft Seal	33020	324670	Shift Cover Gasket
86240	329922	Drive Shaft Seal	33730	338484	Water Pump Gasket
86250	329923	Drive Shaft Seal	21677	437330	Pitot Hole Plug Sealing Washer
81165	310585	Drive Shaft to Crankcase O-ring	* 22300 (4)	316563	Prop Shaft Carrier Screw and Seal
82370	313446	Prop Shaft Carrier O-ring V4 90° Gearcase	21731 (2)	318544	Drain Plug and Gasket

See the Difference!

***GLM's Carrier Screws No. 22300 and No. 22400 come with ND Plastisol™ Treatment**

Their Screws

Q or O-ring screws are difficult to seat properly. They tear and lose integrity with vibration.



O-ring screws

Good.



ND Plastisol™ screws

GLM Screws

ND Plastisol™ treatment screws provide a positive seal that eliminates leaks. They cushion, insulate, control noise and reduce vibration.

Better!

Johnson / Evinrude

GEARCASE SEAL KITS

Mechanical Shift Thru-Prop Exhaust

No. 87602

OEM: 396350



9.9, 15 HP (1974-Thru)
9.9, 15 HP 4-Stroke (1974-Thru)

No. 87680

OEM: 396351



2-Cyl. Crossflow 20, 25, 30, 35 HP
Thru-Prop Exhaust

No. 87614

OEM: 433550



Small Housing
40, 48, 50 HP, 2-Cyl. Loopcharged (1989-2005)

No. 87603

OEM: 396355



Small Housing
2-Cyl. Loopcharged 40-60 (1975-1988)
3-Cyl. Loopcharged 60-75 (1975-1988)

No. 87601

OEM: 5000309



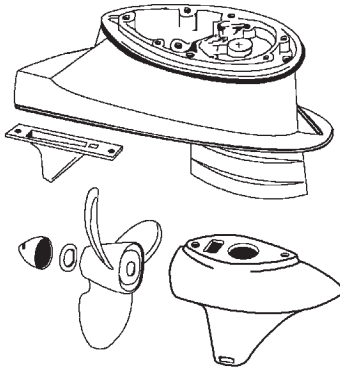
Large Housing
2-Cyl. Loopcharged 40-60 HP (1975-2006)
3-Cyl. Loopcharged 60-75 HP (1975-2001)

Johnson / Evinrude

GEARCASE SEAL KITS

Electric Shift with Cavitation Plate Exhaust

Use GLM Seal Kits
No. 87608, No. 87621 for these
electric shift gearcases.



No. 87608

OEM: N/A



V4 Electric Shift
(1962-1968)

No. 87621

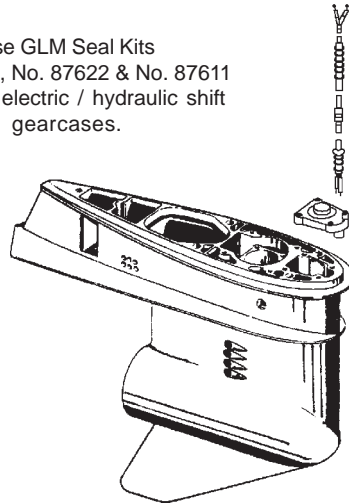
OEM: N/A



40 HP Electric Shift
(1962-1970)

Electric / Hydraulic Shift Thru-Prop-Exhaust

Use GLM Seal Kits
No. 87609, No. 87622 & No. 87611
for these electric / hydraulic shift
gearcases.



No. 87609

OEM: N/A



3-Cyl., 60 HP Loopcharged
(1970-1971)

No. 87622

OEM: N/A



2-Cyl. Loopcharged
(1971-1974)

No. 87611

OEM: N/A



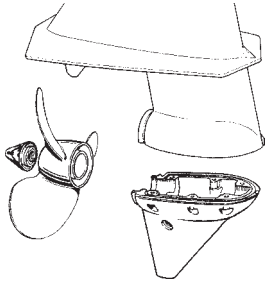
55, 100, 125 HP V4 Crossflow
(1971-1972)

Johnson / Evinrude

GEARCASE SEAL KITS

Two-Piece Gearcase with Cavitation Plate Exhaust

Use GLM Seal Kits
 No. 87604, No. 87605, No. 87606, No. 87607
 No. 87616, No. 87617, No. 87618, No. 87619
 & No. 87690 for these two-piece gearcases.



No. 87604

OEM: N/A



5.5, 6 HP
 Two-Piece Gearcase Cavitation Plate Exhaust
 (1955-1967)

No. 87605

OEM: N/A



10 HP
 Two-Piece Gearcase Cavitation Plate Exhaust
 (1958-1967)

No. 87606

OEM: N/A



18 HP
 Two-Piece Gearcase Cavitation Plate Exhaust
 (1958-1965)

No. 87607

OEM: N/A



25, 28, 30, 33-35, 40 HP, Manual Shift
 Two-Piece Gearcase Cavitation Plate Exhaust
 (1955-1973)

No. 87616

OEM: N/A



6 HP
 Two-Piece Gearcase Cavitation Plate Exhaust
 (1967-1968)

No. 87617

OEM: N/A



6 HP
 Two-Piece Gearcase Cavitation Plate Exhaust
 (1968-1979)

No. 87619

OEM: N/A



20HP, 25 HP
 Two-Piece Gearcase
 Cavitation Plate Exhaust
 (1979-1982)

No. 87690

OEM: 396352



25, 28 HP
 Two-Piece Gearcase
 Cavitation Plate Exhaust
 (1985-Up)

No. 87618

OEM: N/A



9.5 HP
 Two-Piece Gearcase Cavitation Plate Exhaust
 (1967-1973)





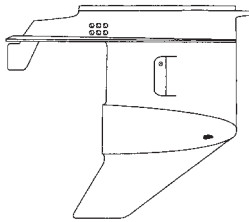
Section 4

Johnson / Evinrude Gears and Clutch Dogs

<i>Lower Gear Housing Gears - 2-Cyl. Loopcharged</i>	<i>50</i>
<i>Lower Gear Housing Gears - 2 & 3 -Cyl. Loopcharged</i>	<i>51-52</i>
<i>Lower Gear Housing Gears - V4 60° & V4 90°</i>	<i>53</i>
<i>Lower Gear Housing Gears - V4 90° "O" Type</i>	<i>54</i>
<i>Lower Gear Housing Gears - V6 Mechanical/Hydraulic Shift</i>	<i>55</i>
<i>Lower Gear Housing Gears - V6 90° "O" Type</i>	<i>56</i>
<i>Lower Gear Housing Gears - V6 90° Heavy Duty</i>	<i>57</i>
<i>Gear Set Applications for 2 & 3-Cyl. & V4</i>	<i>58</i>
<i>Gear Set Applications for V6</i>	<i>59</i>

Johnson / Evinrude

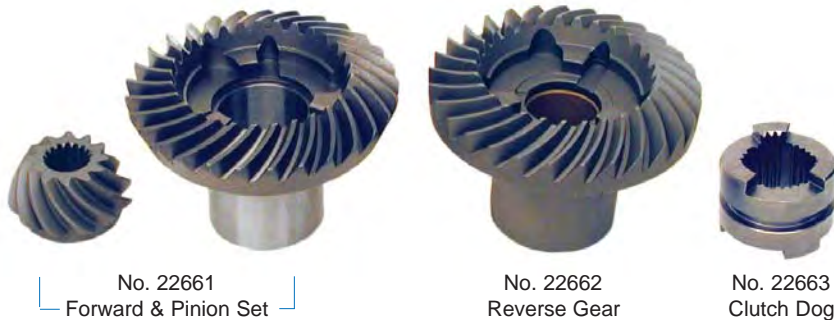
LOWER GEAR HOUSING GEARS - 2-CYLINDER LOOPCHARGED



2-Cylinder Loopcharged 40-50 HP (1989-2005) with Small* Gear Housing - "New" Style

* The 2-Cylinder loopcharged engines were available with a large or small gear housing.

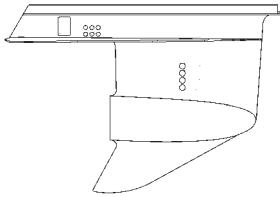
2.42:1 Ratio
.41 Ratio



COMPLETE GEAR SET - Forward/Pinion/Reverse - 12/29 teeth - Comes with the GLM No. 22663 clutch	GLM No. 22660	OEM No. N/A
FORWARD & PINION SET - 12/29 teeth	GLM No. 22661	OEM No. 397627
REVERSE GEAR - 29 teeth	GLM No. 22662	OEM No. 332489
CLUTCH	GLM No. 22663	OEM No. 332491

Johnson / Evinrude

LOWER GEAR HOUSING GEARS - 2 & 3-CYLINDER LOOPCHARGED



2-Cyl. Loopcharged 40-60 HP (1975-1988)
3-Cyl. Loopcharged 60-75 HP (1975-1988)
with Small* Gear Housing - "Old" Style

* The 2-Cylinder and 3-Cylinder loopcharged engines were available with a large or small gear housing.

2.42:1 Ratio
 .41 Ratio



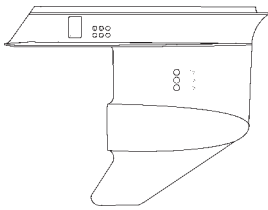
No. 22681
 Forward & Pinion Set with Reverse Gear

No. 22683
 Clutch Dog

<p>COMPLETE GEAR SET</p> <ul style="list-style-type: none"> - Forward/Pinion/Reverse - 12/29 teeth - Comes with the GLM No. 22683 clutch 	<p>GLM No. 22680</p>	<p>OEM No. N/A</p>
<p>FORWARD & PINION SET with REVERSE GEAR</p> <ul style="list-style-type: none"> - 12/29 teeth 	<p>GLM No. 22681</p>	<p>OEM No. 433570</p>
<p>CLUTCH</p>	<p>GLM No. 22683</p>	<p>OEM No. 319895</p>

Johnson / Evinrude

LOWER GEAR HOUSING GEARS - 2 & 3-CYLINDER LOOPCHARGED



2-Cyl. Loopcharged 40-60 HP (1986-2006)
3-Cyl. Loopcharged 60-75 HP (1975-2001)
with the Large* Gear Housing

* The 2-Cylinder and 3-Cylinder loopcharged engines were available with a large or small gear housing.

2.42:1 Ratio
 .41 Ratio



No. 22671
 Forward & Pinion Set

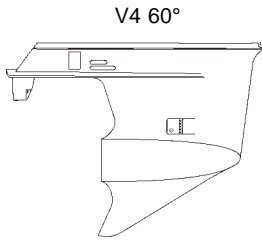
No. 22672
 Reverse Gear

No. 22673
 Clutch Dog

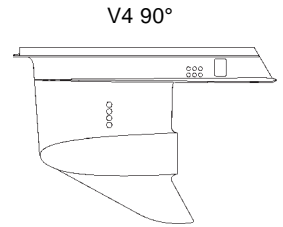
COMPLETE GEAR SET - Forward/Pinion/Reverse - 12/29 teeth - Comes with the GLM No. 22673 clutch	GLM No. 22670	OEM No. N/A
FORWARD & PINION SET - 12/29 teeth	GLM No. 22671	OEM No. 397338
REVERSE GEAR - 29 teeth	GLM No. 22672	OEM No. 318304
CLUTCH	GLM No. 22673	OEM No. 318303

Johnson / Evinrude

LOWER GEAR HOUSING GEARS - V4 60° & V4 90°



V4 60° & V4 90° Replacement Gears for the Small* Gear Housing



These gear sets are an exact copy of the gears used in the 1978-2006 V4 Johnson / Evinrude Outboards with the small gear housing.

* The V4 engines were available with a large or small gear housing.

2:1 Ratio
.50 Ratio



No. 22631
Forward & Pinion Set

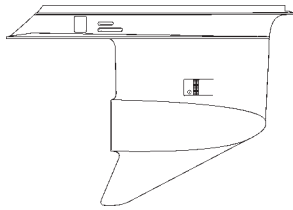
No. 22632
Reverse Gear

No. 22633
Clutch Dog

COMPLETE GEAR SET - Forward/Pinion/Reverse - 13/26 teeth - Comes with the GLM No. 22633 clutch	GLM No. 22630	OEM No. N/A
FORWARD & PINION SET - May be used with OMC reverse gear - 13/26 teeth	GLM No. 22631	OEM No. 436746
REVERSE GEAR - May be used with OMC forward and pinion gears - 26 teeth	GLM No. 22632	OEM No. 345992
CLUTCH	GLM No. 22633	OEM No. 323664

Johnson / Evinrude

LOWER GEAR HOUSING GEARS - V4 90° "O" TYPE



V4 90° Replacement Gears for the Large* "O" Type Gear Housing

These gear sets are an exact copy of the gears used in the 1978-2006 V4 Johnson / Evinrude Outboards with the large "O" type gear housing.

* The V4 engines were available with a large or small gear housing.

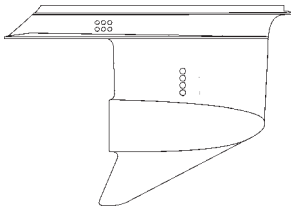
2.25:1 Ratio
.44 Ratio



COMPLETE GEAR SET - Forward/Pinion/Reverse - 12/27 teeth - Comes with the GLM No. 22625 clutch	GLM No. 22650	OEM No. N/A
FORWARD & PINION SET - 12/27 teeth	GLM No. 22651	OEM No. 435123
REVERSE GEAR - 27 teeth	GLM No. 22653	OEM No. 336574
CLUTCH	GLM No. 22625	OEM No. 337774 OEM No. 914716

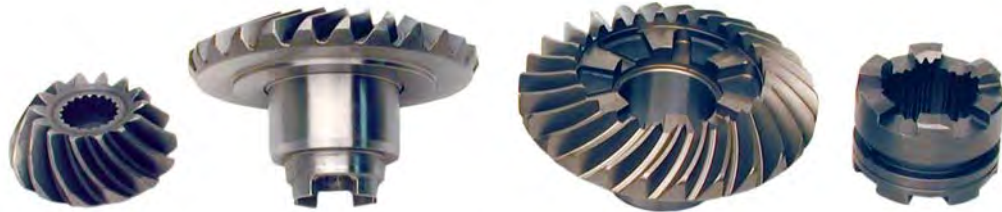
Johnson / Evinrude

LOWER GEAR HOUSING GEARS - V6 MECHANICAL/HYDRAULIC SHIFT



V6 Mechanical/Hydraulic Shift 200 HP (1976) 175, 200 HP (1977) 150, 175, 200, 235 HP (1978)

These gear sets are an exact copy of the gears used in the first V6 Johnson / Evinrude Outboards gear housings.
Forward gear drives a hydraulic pump.



No. 22621
Forward & Pinion Set

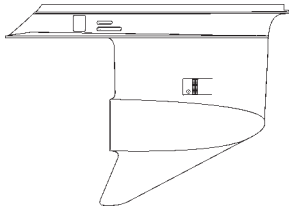
No. 22652
Reverse Gear

No. 22625
Clutch Dog

COMPLETE GEAR SET - Forward/Pinion/Reverse - 14/26 teeth - Comes with the GLM No. 22625 clutch	GLM No. 22620	OEM No. N/A
FORWARD & PINION SET - 14/26 teeth	GLM No. 22621	OEM No. 5004941
REVERSE GEAR & CLUTCH - 26 teeth	GLM No. 22652	OEM No. 437297
CLUTCH	GLM No. 22625	OEM No. 337774 OEM No. 914716 OEM No. 915272

Johnson / Evinrude

LOWER GEAR HOUSING GEARS - V6 90° "O" TYPE



V6 90° Replacement Gears for the "O" Type Gear Housing

These gear sets are an exact copy of the gears used in the 1978-2006 V6 Johnson / Evinrude Outboards with the large "O" type gear housing.

1.86:1 Ratio
.54 Ratio

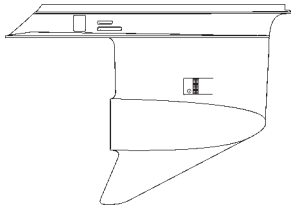


COMPLETE GEAR SET - Forward/Pinion/Reverse - 14/26 teeth - Comes with the GLM No. 22625 clutch	GLM No. 22622	OEM No. 5004218
FORWARD & PINION SET - May be used with OMC reverse gear - 14/26 teeth	GLM No. 22623	OEM No. 435020 OEM No. 5004216 OEM No. 5004938
REVERSE GEAR - May be used with OMC forward and pinion gears - 26 teeth - Includes thrust washer No. 21651*	GLM No. 22624	OEM No. 336561 OEM No. 910994
CLUTCH	GLM No. 22625	OEM No. 337774

* For model year 1991 Johnson / Evinrude increased the prop shaft diameter at the carrier needle bearing (not the prop splines) from 1-3/16" to 1-1/4". Some older gearcases may be fitted with the new large diameter prop shaft. The large diameter prop shaft utilizes a thrust washer (included with this gear set) between the prop shaft and reverse gear. Discard the thrust washer when using the small diameter prop shaft.

Johnson / Evinrude

LOWER GEAR HOUSING GEARS - V6 90° HEAVY DUTY



V6 90° HEAVY DUTY Replacement Gears for the “O” Type Gear Housing

When all three gears need to be replaced in your V6 Johnson / Evinrude Outboard the installation of the new GLM No. 22666 heavy-duty gear set is highly recommended. The heavy-duty gear sets can be used with all V6 outboards from 1979-2006 with the “O” type gear housings. It is recommended that the new clutch GLM No. 22625 also be installed with the heavy-duty gears.



Gear Set GLM No. 22666

IMPORTANT NOTE:

The new heavy-duty GLM No. 22666 gears will not interchange with the standard gears. For individual gear replacement, you must use the standard duty GLM No. 22623 pinion and forward gears or the GLM No. 22624 reverse gear.

✓ STRONGER

OEM gear sets are machined from 8620 forged steel. The GLM gear set is machined from a higher alloy forged steel. The stronger teeth and higher alloy steel results in a gear that is 50% stronger than any other comparable gear set. These durable gears are capable of operating with up to 300 horsepower.

✓ MORE DURABLE

The new GLM gear set has fewer, larger, and stronger teeth. The pinion gear has 12 teeth and the forward and reverse gears have 22 teeth. The original OEM gear set has 14 teeth on the pinion and 26 teeth on the forward and reverse gears.

✓ QUIETER

During the gear machining process, an additional pass is made over each tooth for a finer surface. This makes the gear operation especially quiet.

Johnson / Evinrude

GEAR SET APPLICATIONS 2 & 3-CYL. & V4

HP	Year	Complete Gear Set w/ Clutch	Forward & Pinion	Reverse Gear	Clutch
2 & 3-Cyl. Loopcharged					
25D Small Gearcase	1989-95	22660	22661	22662	22663
35 (AR, AE & AT Only) Small Gearcase	1987	22680	22681	22681	22683
40 Small Gearcase	1984-88	22680	22681	22681	22683
40 Small Gearcase	1989-97	22660	22661	22662	22663
48 Small Gearcase	1987-88	22680	22681	22681	22683
48 Small Gearcase	1989-96	22660	22661	22662	22663
50 Small Gearcase	1979-88	22680	22681	22681	22683
50 Small Gearcase	1989-97	22660	22661	22662	22663
50 (S CYD Model) Large Gearcase	1995-97	22670	22671	22672	22673
55 Electric Start Small Gearcase	1979-81	22680	22681	22681	22683
60 Electric Start Small Gearcase	1980-85	22680	22681	22681	22683
60 (3-Cyl. 20" Model) Large Gearcase	1986-97	22670	22671	22672	22673
65 Comm. Large Gearcase	1984-97	22670	22671	22672	22673
70 E Model Large Gearcase	1975	22670	22671	22672	22673
70 20" Model Large Gearcase	1976-97	22670	22671	22672	22673
75 20" Model Large Gearcase	1975-88	22670	22671	22672	22673
V4					
85	1977	-	-	22632	22633
85	1978-80, 1991-95	22630	22631	22632	22633
88	1987-96	22630	22631	22632	22633
90	1981-97	22630	22631	22632	22633
90 V4 60° 2.25:1 "O" Gearcase	1995-99	22650	22651	22653	22625
100	1979-80	22630	22631	22632	22633
100	1989-90	22630	22631	22632	22633
100 2.25:1 "O" Gearcase	1991	22650	22651	22653	22625
100 Comm. (S Prefix Only)	1989-90	22630	22631	22632	22633
100 Comm. 2.25:1 "O" Gearcase	1987, 92, 93	22650	22651	22653	22625
100 Comm. D 2.25:1 "O" Gearcase	1994-99	22650	22651	22653	22615
100 Comm. (E J Models) 2.25:1 "O" Gearcase	1989	22650	22651	22653	22625
100 Comm. (2 Pcs. D/Shaft) 2.25:1 "O" Gearcase	1990	22650	22651	22653	22625
110	1986-89	22630	22631	22632	22633
112	1994-96	22630	22631	22632	22633
115	1977	22630	22631	22632	22633
115	1990-97	22630	22631	22632	22633
115 V4 60° 2.25:1 "O" Gearcase	1995-99	22650	22651	22653	22625
120	1986-92	22630	22631	22632	22633
120 2.25:1 "O" Gearcase	1990	22650	22651	22653	22625
120 TL, TX	1993	22630	22631	22632	22633
120 TX 2.25:1 "O" Gearcase	1993	22650	22651	22653	22625
125 Comm. (ESX Prefix Only)	1989-90	22630	22631	22632	22633
125 Comm. 2.25:1 "O" Gearcase	1989-92	22650	22651	22653	22625
125 Comm. E, R 2.25:1 "O" Gearcase	1993-96	22650	22651	22653	22625
125 ESX (F Suffix) 2.25:1 "O" Gearcase	1993	22650	22651	22653	22625
125 ESX (S Suffix Only)	1993	22630	22631	22632	22633
130 2.25:1 "O" Gearcase	1997	22650	22651	22653	22625
140	1978-84	22630	22631	22632	22633
140	1986-87	22630	22631	22632	22633
140 TL	1988-94	22630	22631	22632	22633
140 TX 2.25:1 "O" Gearcase	1988-90, 92, 93	22650	22651	22653	22625



Johnson / Evinrude

GEAR SET APPLICATIONS V6					
HP	Year	Complete Gear Set w/ Clutch	Forward & Pinion	Reverse Gear	Clutch
V6					
150 Mechanical/Hydraulic Shift	1978	22620	22621	22652	22625
150	1979-87	22622	22623	22624	22625
150	1979-87	-	22666 Heavy Duty Gears		22625
150	1988-90	22622	22623	22624	22625
150	1988-90	-	22666 Heavy Duty Gears		22625
150	1991-97	22622	22623	22624	22625
150	1991-97	-	22666 Heavy Duty Gears		22625
150 Comm.	1993-95	22622	22623	22624	22625
150 Comm.	1993-95	-	22666 Heavy Duty Gears		22625
150 Comm.	1989-90	22622	22623	22624	22625
150 Comm.	1989-90	-	22666 Heavy Duty Gears		22625
155 Comm. WTA	1989	22650	22651	22653	22625
155 Comm. WTP	1989	22622	22633	22624	22625
155 Comm. WTP	1989	-	22666 Heavy Duty Gears		22625
175 Mechanical/Hydraulic Shift	1977-78	22620	22621	22652	22625
175	1979-87	22622	22623	22624	22625
175	1979-87	-	22666 Heavy Duty Gears		22625
175	1988-90	22622	22633	22624	22625
175	1988-90	-	22666 Heavy Duty Gears		22625
175	1991-97	22622	22623	22624	22625
175	1991-97	-	22666 Heavy Duty Gears		22625
185	1984-85	22622	22623	22624	22625
185	1984-85	-	22666 Heavy Duty Gears		22625
185	1990	22622	22623	22624	22625
185	1990	-	22666 Heavy Duty Gears		22625
185	1991-94	22622	22623	22624	22625
185	1991-94	-	22666 Heavy Duty Gears		22625
200 Mechanical/Hydraulic Shift	1976-78	22620	22621	22652	22625
200	1979-83	22622	22623	22624	22625
200	1979-83	-	22666 Heavy Duty Gears		22625
200	1986-87	22622	22633	22624	22625
200	1986-87	-	22666 Heavy Duty Gears		22625
200	1988-90	22622	22623	22624	22625
200	1988-90	-	22666 Heavy Duty Gears		22625
200	1991-97	22622	22623	22624	22625
200	1991-97	-	22666 Heavy Duty Gears		22625
200 Comm.	1990-91	22622	22623	22624	22625
200 Comm.	1990-91	-	22666 Heavy Duty Gears		22625
225	1986-87	22622	22623	22624	22625
225	1986-87	-	22666 Heavy Duty Gears		22625
225	1988-90	22622	22623	22624	22625
225	1988-90	-	22666 Heavy Duty Gears		22625
225	1991-97	22622	22623	22624	22625
225	1991-97	-	22666 Heavy Duty Gears		22625
235 Mechanical/Hydraulic Shift	1978	22620	22621	22652	22625
235	1979-85	22622	22623	22624	22625
235	1979-85	-	22666 Heavy Duty Gears		22625
1.6L Comm.	1988	22650	22651	22653	22625



Section 5

Johnson / Evinrude Gearcase Shift Components

<i>Shift Components - 2-Cyl. Loopcharged (1989-2005) - Small Gearcase</i>	62
<i>Shift Components - 2 & 3-Cyl. Loopcharged (1975-1988) - Small Gearcase ..</i>	62
<i>Shift Components - 2 & 3-Cyl. Loopcharged (1975-2006) - Large Gearcase ..</i>	63
<i>Shift Components - V4 60° & V4 90° Loopcharged - Small Gearcase</i>	63
<i>Shift Components - V4/V6/V8 "O" Type - Large Gearcase</i>	64
<i>Shift Components - V4/V6/V8 "M" Type - Large Gearcase</i>	64
<i>Gearcase Shift Components</i>	65

Johnson / Evinrude

SHIFT COMPONENTS - 2-CYL. LOOPCHARGED (1989-2005)

Small Gearcase "New"

No. 11051 **No. 21133**
 SPRING CROSS PIN
 OEM: 320311 OEM: 320310



No. 22663 **No. N/A**
 CLUTCH DOG SPRING
 OEM: 332491 OEM: 332484



No. N/A
 SHAFT
 OEM: 332503



No. 27940
 CVR. & SEAL ASSY.
 OEM: 434588



No. 22490
 DETENT BALLS
 OEM: 316506



No. 82230
 O-RING
 OEM: 913921



SHIFT COMPONENTS - 2 & 3-CYL. LOOPCHARGED (1975-1988)

Small Gearcase "Old"

No. 11051 **No. 21133**
 SPRING CROSS PIN
 OEM: 320311 OEM: 320310




No. 22683
 CLUTCH DOG
 OEM: 319895



No. 27712
 SHAFT
 OEM: 320172



No. 27756 
 CVR. & SEAL ASSY.
 OEM: 387336



No. 27704
 HSG. & BEARING ASSY.
 OEM: 389637



No. 21105
 PIN
 OEM: 320145



No. 27742
 LEVER
 OEM: 320120



No. 27723
 DETENT
 OEM: 322636



No. 33420
 OEM: 314082



No. 21138
 PIN
 OEM: 331880



No. 27730
 CRADLE
 OEM: 334163



No. 22493
 DETENT BALL
 OEM: 327345



No. 11039
 SPRING
 OEM: 312870



No. 28485
 SHAFT & BEARING
 HSG. KIT
 OEM: N/A



Johnson / Evinrude

SHIFT COMPONENTS - 2 & 3-CYL. LOOPCHARGED (1975-2006)

Large Gearcase

No. 11052 SPRING
OEM: 324369



No. 21135 CROSS PIN
OEM: 313448



No. 22673 CLUTCH DOG
OEM: 318303



No. 27711 SHAFT
OEM: 326668



No. 27754 CVR. & SEAL ASSY.
OEM: 388651



No. 27702 HSG. & BEARING ASSY.
OEM: 391365



Includes Bearing
No. 22870

No. 21105 PIN
OEM: 320145



No. 27741 LEVER
OEM: 324037



No. 27722 DETENT
OEM: 326670



No. 33420 SEAL
OEM: 314082



No. 21138 PIN
OEM: 331880



No. 27730 CRADLE
OEM: 334163



No. 22493 DETENT BALL
OEM: 327345



No. 11039 SPRING
OEM: 911961



No. 28484 SHAFT & BEARING HSG. KIT
OEM: N/A



SHIFT COMPONENTS - V4 60° & V4 90° LOOPCHARGED

Small Gearcase

No. 11052 SPRING
OEM: 324369



No. 21135 CROSS PIN
OEM: 313448



No. 22633 CLUTCH DOG
OEM: 912607



No. 27710 SHAFT
OEM: 322941



No. 27752 CVR. & SEAL ASSY.
OEM: 5006241



No. 27702 HSG. & BEARING ASSY.
OEM: 391365



Includes Bearing
No. 22870

No. 21105 PIN
OEM: 320145



No. 27741 LEVER
OEM: 324037



No. 27720 DETENT
OEM: 915954



No. 33020 SEAL
OEM: 324670
OEM: 352165



No. 21138 PIN
OEM: 331880



No. 27730 CRADLE
OEM: 334163



No. 22493 DETENT BALL
OEM: 327345



No. 11039 SPRING
OEM: 911961



No. 28482 SHAFT & BEARING HSG. KIT
OEM: N/A



Johnson / Evinrude

SHIFT COMPONENTS - V4/V6/V8 "O" TYPE

Large Gearcase

No. 11052 **No. 21135**

SPRING
OEM: 324369

CROSS PIN
OEM: 313448



No. 22625 **No. 27710**

CLUTCH DOG
OEM: 337774

SHAFT
OEM: 322941



No. 27752
CVR. & SEAL ASSY.
OEM: 5006241



No. 27700
HSG. & BEARING ASSY.
OEM: 389455

Includes No. 22910
Bearing



No. 21137
PIN
OEM: 328825



No. 27740 **No. 27720**

LEVER
OEM: 322938

DETENT
OEM: 915954



No. 33020
SEAL
OEM: 324670
OEM: 352165



No. 21138
PIN
OEM: 331880



No. 27730 **No. 22491**

CRADLE
OEM: 982422

DETENT BALL
OEM: 160084



No. 11055
SPRING
OEM: 911962



No. 28481
SHAFT & BEARING
HSG. KIT
OEM: N/A



SHIFT COMPONENTS - V4/V6/V8 "M" TYPE

Large Gearcase

No. 11052 **No. 21135**

SPRING
OEM: 324369

CROSS PIN
OEM: 313448



No. 22625 **No. N/A**

CLUTCH DOG
OEM: 337774

SHAFT
OEM: 348483



No. 27752
CVR. & SEAL ASSY.
OEM: 5006241



No. N/A
HSG. & BEARING ASSY.
OEM: 5001601



No. N/A
PIN
OEM: 317274



No. 27740 **No. N/A**

LEVER
OEM: 322938

DETENT
OEM: 347377



No. 33020
SEAL
OEM: 324670
OEM: 352165



No. 21138
PIN
OEM: 331880



No. 27730 **No. 22491**

CRADLE
OEM: 334163

DETENT BALL
OEM: 160084



No. 11055
SPRING
OEM: 911962



Johnson / Evinrude

GEARCASE SHIFT COMPONENTS

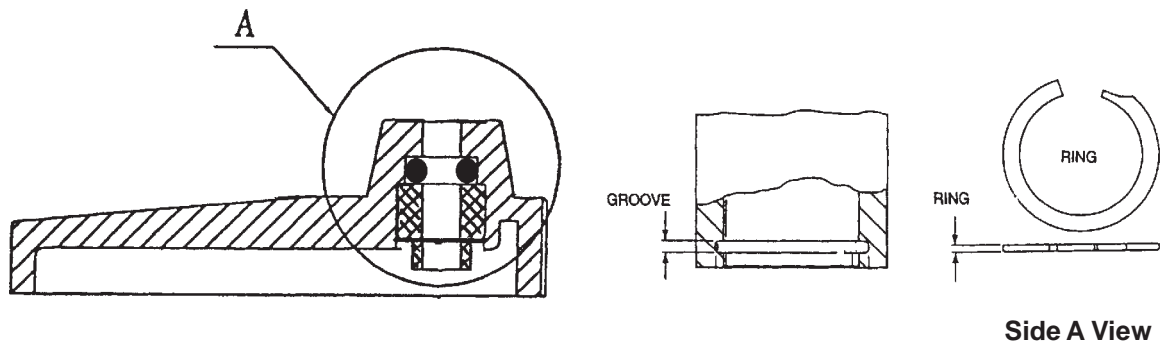
Gearcase Gaskets

<p>No. 34120 SHIFT ROD OEM: 304764</p> 	<p>No. 33200 SHIFT ROD OEM: 305512</p> 	<p>No. 34410 SHIFT ROD WASHER OEM: 321738</p> 	<p>No. 33220 SHIFT ROD COVER OEM: 304023</p> 
<p>No. 33980 SHIFT COVER OEM: 912388</p> 	<p>No. 33450 V4 SOLENOID COVER OEM: 314876</p> 	<p>No. 33511 LOWER GEARCASE OEM: 324449</p> 	<p>No. 33550 LOWER GEARCASE OEM: 307099</p> 

GLM'S RE-DESIGN OF THE COVER & SEAL ASSEMBLY

GLM proudly uses Smalley* internal snap ring for holding the sealing bushing unlike the OEMs which locks it dead. No special tools are required for replacing the seal and a service job can be finished in seconds!

*Smalley Steel Ring Co. is a GM vender





Section 6

Johnson / Evinrude Drive Shaft and Propeller Shaft Components

<i>Drive Shaft Components - 2 & 3-Cyl. Loopcharged</i>	68
<i>Drive Shaft Components - V4 & V6</i>	69
<i>Prop Shaft Components - 2-Cyl. Loopcharged (1989-2006)</i>	70
<i>Prop Shaft Components - 2 & 3-Cyl. Loopcharged (1975-1988) .</i>	70
<i>Prop Shaft Components - 2 & 3-Cyl. Loopcharged (1975-2006) .</i>	71
<i>Prop Shaft Components - V4 90° (1978-1998)</i>	71
<i>Prop Shaft Components - V4 60° (1995-2006)</i>	72
<i>Prop Shaft Components - V4/V6/V8 - "M" Type (2002-2006)</i>	72
<i>Prop Shaft Components - V4/V6/V8 - "O" Type (1979-1990)</i>	73
<i>Prop Shaft Components - V4/V6/V8 - "O" Type (1991-2006)</i>	73
<i>Lower Housing Bearing Applications</i>	74-75
<i>Oil Seals Applications</i>	76-77
<i>Drive Shaft Housing Oil Seals Applications</i>	77
<i>Lower Drive Shaft Identification & Applications - V4/V6</i>	78
<i>Upper Drive Shaft Identification & Applications - V4/V6</i>	79
<i>Prop Shaft Identification & Applications</i>	80

Johnson / Evinrude

DRIVE SHAFT COMPONENTS - 2 & 3-CYL. LOOPCHARGED

Small "Old" Style	Small "New" Style	Large Gearcase
<p>Small Gearcase 40-60 HP 2-Cyl. Loopcharged (1975-1988) 60-75 HP 3-Cyl. Loopcharged (1975-1988)</p>	<p>Small Gearcase 40-50 HP 2-Cyl. Loopcharged (1989-2006)</p>	<p>Large Gearcase 40-60 HP 2-Cyl. Loopcharged (1986-2006) 60-75 HP 3-Cyl. Loopcharged (1975-2001)</p>
<p>No. 86013 OIL SEAL - 1 PC. OEM: 342786</p> 	<p>No. 86013 OIL SEAL, D.S. OEM: 342786</p> 	<p>No. 86460 OIL SEAL - TOP OEM: 332205 No. 86160 OIL SEAL - BOTTOM OEM: 321466</p>  
<p>No. 22327 SCREW OEM: 909386</p> 	<p>No. 11422 BEARING, D.S. OEM: 398874</p> 	<p>No. 86013 OIL SEAL, D.S. OEM: 342786</p> 
<p>No. 22728 BEARING HSG. ASSY. OEM: 387067</p> 	<p>No. 22362 SCREW OEM: 317624</p> 	<p>No. 22327 SCREW OEM: 909386</p> 
<p>No. 82240 O-RING OEM: 302588</p> 	<p>No. 27790 BEARING HSG. ASSY. OEM: 435274</p> 	<p>No. 22722 BEARING HSG. ASSY. OEM: 385087 No. 22726 BEARING HSG. ASSY. OEM: 435519</p> 
<p>No. 23530 SHIM 0.003" OEM: 320166</p> 	<p>No. 82250 O-RING OEM: 310324</p> 	<p>No. 81340 O-RING OEM: 313754</p> 
<p>No. 23540 SHIM 0.004" OEM: 320167</p> 	<p>No. 21649 THRUST WASHER OEM: 333771</p> 	<p>No. 23600 SHIM 0.003" OEM: 323889 No. 23610 SHIM 0.004" OEM: 323890 No. 23620 SHIM 0.005" OEM: 317232</p>   
<p>No. 23550 SHIM 0.005" OEM: 320168</p> 	<p>No. 16370 THRUST BEARING OEM: 398901</p> 	<p>No. 21643 THRUST WASHER OEM: 317230</p> 
<p>No. 21511 DRIVE SHAFT BEARING OEM: 385175</p> 	<p>No. 21649 THRUST WASHER OEM: 333771</p> 	<p>No. 16320 THRUST BEARING OEM: 385068</p> 
<p>No. 11423 PINION BEARING OEM: 386766</p> 	<p>No. 11430 PINION BEARING OEM: 382343</p> 	<p>No. 11430 PINION BEARING OEM: 382343</p> 
<p>See Section 4 for Gear Sets</p> 	<p>See Section 4 for Gear Sets</p> 	<p>See Section 4 for Gear Sets</p> 
<p>No. 11192 PINION NUT OEM: 313339</p> 	<p>No. 11192 PINION NUT OEM: 313339</p> 	<p>No. 11192 PINION NUT OEM: 313339</p> 

Johnson / Evinrude

DRIVE SHAFT COMPONENTS - V4 & V6

V4 60° & V4 90°		V4 & V6 "O" & "M" Type	
Small Gearcase V4 60° (1995-2006) V4 90° (1978-1998)		Large Gearcase "O" Type (1978-2006) "M" Type (2002-2006)	
No. 86011 OIL SEAL OEM: 341280		No. 22405 LOWER D.S.-V4 60° OEM: 346004	
No. 22362 SCREW OEM: 317624		No. 22407 LOWER D.S. "O" TYPE OEM: 345905	
No. 22720 BEARING HSG. & SEAL OEM: 439476		No. 22409 LOWER D.S. - V4 90° OEM: 346006	
No. 81380 O-RING, LOWER OEM: 314728		No. 22720 BEARING HSG. & SEAL OEM: 439476	
No. 23590 SHIM 0.003" OEM: 323362		No. 81380 O-RING, LOWER OEM: 314728	
No. 23580 SHIM 0.004" OEM: 323361		No. 23590 SHIM 0.003" OEM: 323362	
No. 23510 SHIM 0.005" OEM: 314745		No. 22880 PINION BEARING OEM: 384195	
No. 21645 THRUST WASHER OEM: 327656		No. 23580 SHIM 0.004" OEM: 323361	
No. 16330 THRUST BEARING OEM: 387656		No. 23510 SHIM 0.005" OEM: 314745	
No. 28351 RETAINER OEM: 338504		No. 21645 THRUST WASHER OEM: 327656	
No. 21139 PIN OEM: 311538		No. 11190 PINION NUT OEM: 314730	
		No. 16330 THRUST BEARING OEM: 387656	
		No. 28351 RETAINER OEM: 338504	
		No. 21139 PIN OEM: 311538	

Johnson / Evinrude

PROP SHAFT COMPONENTS - 2-CYL. LOOPCHARGED (1989-2006)

40-50 HP Small Gearcase

No. 22900 PROP SHAFT BEARING OEM: 386765	No. 22890 REVERSE GEAR BEARING OEM: 386764	No. 21647 THRUST WASHER REVERSE GEAR OEM: 332514	No. 16350 THRUST BEARING REVERSE GEAR OEM: 397537	No. 16360 THRUST BEARING FORWARD GEAR OEM: 397538	No. 21648 THRUST WASHER FORWARD GEAR OEM: 333725	No. 22870 FORWARD GEAR BEARING OEM: 382407	No. 22940 FORWARD GEAR BEARING OEM: 432264
---	---	---	--	--	---	---	---



No. 86060
PROP SHAFT SEAL
OEM: 321467

No. 11416
BEARING CARRIER W/ BEARINGS & SEALS
OEM: 432276

No. 82360
O-RING FOR BEARING CARRIER
OEM: 553126



No. 22421
PROP SHAFT
OEM: 439138



PROP SHAFT COMPONENTS - 2 & 3-CYL. LOOPCHARGED (1975-1988)

Small Gearcase

No. 22900 PROP SHAFT BEARING OEM: 386765	No. 22890 REVERSE GEAR BEARING OEM: 386764	No. N/A THRUST WASHER REVERSE GEAR OEM: 320115	No. N/A THRUST BEARING REVERSE GEAR OEM: 386719	See Section 4 for Gears	No. N/A THRUST BEARING FORWARD GEAR OEM: 389297	No. N/A THRUST WASHER FORWARD GEAR OEM: 323845	No. N/A FORWARD GEAR BEARING OEM: N/A
---	---	---	--	-------------------------	--	---	--



No. 86060
PROP SHAFT SEAL
OEM: 321467

No. N/A
BEARING CARRIER
OEM: 386920

No. 82320
O-RING FOR BEARING CARRIER
OEM: 320303



No. N/A
PROP SHAFT
OEM: 386659



Johnson / Evinrude

PROP SHAFT COMPONENTS - 2 & 3-CYL. LOOPCHARGED (1975-2006)

Large Gearcase

<p>No. 22860 PROP SHAFT BEARING OEM: 379504</p> 	<p>No. 22870 REVERSE GEAR BEARING OEM: 382407</p> 	<p>No. 21641 THRUST WASHER REVERSE GEAR OEM: 313447</p> 	<p>No. 16300 THRUST BEARING REVERSE GEAR OEM: 382408</p> 	<p>See Section 4 for Gears</p> 	<p>No. 16310 THRUST BEARING FORWARD GEAR OEM: 385043</p> 	<p>No. 21644 THRUST WASHER FORWARD GEAR OEM: 324766</p> 	<p>No. 22870 FORWARD GEAR BEARING OEM: 382407</p> 
<p>No. 22400 SCREW OEM: 320041</p> 	<p>No. 81100 O-RING OEM: 332584</p> 	<p>No. 86030 PROP SHAFT SEAL OEM: 330137</p> 	<p>No. 82320 O-RING FOR BEARING CARRIER OEM: 320303</p> 	<p>No. 21774 RETAINING RING OEM: 313445</p> 	<p>No. 22418 PROP SHAFT OEM: 439185</p> 		

PROP SHAFT COMPONENTS - V4 90° (1978-1998)

Small Gearcase

<p>No. 22860 PROP SHAFT BEARING OEM: 379504</p> 	<p>No. 22870 REVERSE GEAR BEARING OEM: 382407</p> 	<p>No. 21642 THRUST WASHER REVERSE GEAR OEM: 314731</p> 	<p>No. 16300 THRUST BEARING REVERSE GEAR OEM: 382408</p> 	<p>See Section 4 for Gears</p> 	<p>No. 16310 THRUST BEARING FORWARD GEAR OEM: 385043</p> 	<p>No. 21644 THRUST WASHER FORWARD GEAR OEM: 324766</p> 	<p>No. 22870 FORWARD GEAR BEARING OEM: 382407</p> 
<p>No. 22300 SCREW OEM: 316563</p> 	<p>No. 86640 SEAL OEM: 332583</p> 	<p>No. 86030 PROP SHAFT SEAL OEM: 330137</p> 	<p>No. 11392 OEM: 397087 BEARING CARRIER W/ BEARINGS & SEALS</p> 	<p>No. 82370 O-RING FOR BEARING CARRIER OEM: 313446</p> 	<p>No. 21774 RETAINING RING OEM: 313445</p> 	<p>No. 22416 PROP SHAFT OEM: 436888</p> 	

Johnson / Evinrude

PROP SHAFT COMPONENTS - V4 60° (1995-2006)

Small Gearcase "New" Style

<p>No. 22860 PROP SHAFT BEARING OEM: 379504</p> 	<p>No. 22870 REVERSE GEAR BEARING OEM: 382407</p> 	<p>No. 21642 THRUST WASHER REVERSE GEAR OEM: 314731</p> 	<p>No. 16300 THRUST BEARING REVERSE GEAR OEM: 382408</p> 	<p>See Section 4 for Gears</p> 	<p>No. 16310 THRUST BEARING FORWARD GEAR OEM: 385043</p> 	<p>No. 21644 THRUST WASHER FORWARD GEAR OEM: 324766</p> 	<p>No. 22870 FORWARD GEAR BEARING OEM: 382407</p> 
<p>No. 22373 SCREW OEM: 350271</p> 	<p>No. 27850 TAB OEM: 333957</p> 	<p>No. 86030 PROP SHAFT SEAL OEM: 330137</p> 	<p>No. 11398 BEARING CARRIER W/ BEARINGS & SEALS OEM: 5000440</p> 	<p>No. 82370 O-RING FOR BEARING CARRIER OEM: 313446</p> 	<p>No. 22419 PROP SHAFT OEM: 5006310</p> 		

PROP SHAFT COMPONENTS - V4/V6/V8 - "M" Type (2002-2006)

Large Gearcase "New" Style

<p>No. N/A PROP SHAFT BEARING OEM: 436752</p> 	<p>No. 22870 REVERSE GEAR BEARING OEM: 382407</p> 	<p>No. 21654 THRUST WASHER REVERSE GEAR OEM: 349193</p> 	<p>No. 16340 THRUST BEARING REVERSE GEAR OEM: 389042</p> 	<p>See Section 4 for Gears</p> 	<p>No. 16340 THRUST BEARING FORWARD GEAR OEM: 389042</p> 	<p>No. 21646 THRUST WASHER FORWARD GEAR OEM: 327669</p> 	<p>No. 22910 FORWARD GEAR BEARING OEM: 389039</p> 
<p>No. 22373 SCREW OEM: 350271</p> 	<p>No. 27850 TAB OEM: 333957</p> 	<p>No. 86810 PROP SHAFT SEAL - 2 PCS. OEM: 334950</p> 	<p>No. 86012 PROP SHAFT SEAL - 1 PC. OEM: 341281</p> 	<p>No. N/A BEARING CARRIER OEM: 5001587</p> 	<p>No. 82440 O-RING FOR BEARING CARRIER OEM: 326849</p> 	<p>No. 22417 PROP SHAFT OEM: 5004765 ø 1-1/4" (1991-2006)</p> 	

Johnson / Evinrude

PROP SHAFT COMPONENTS - V4/V6/V8 - "O" Type (1979-1990)

Large Gearcase

<p>No. 11410 PROP SHAFT BEARING OEM: 387247</p> 	<p>No. 22870 REVERSE GEAR BEARING OEM: 382407</p> 	<p>No. 21642 THRUST WASHER REVERSE GEAR OEM: 314731</p> 	<p>No. 16300 THRUST BEARING REVERSE GEAR OEM: 382408</p> 	<p>See Section 4 for Gears</p> 	<p>No. 16340 THRUST BEARING FORWARD GEAR OEM: 389042</p> 	<p>No. 21646 THRUST WASHER FORWARD GEAR OEM: 302669</p> 	<p>No. 22910 FORWARD GEAR BEARING OEM: 389039</p> 
<p>No. 22373 SCREW OEM: 350271</p> 	<p>No. 27850 TAB OEM: 333957</p> 	<p>No. 85130 PROP SHAFT SEAL OEM: 320862</p> 	<p>No. 11406 BEARING CARRIER W/ BEARINGS & SEALS FOR 1991-UP GEARCASE OEM: 438039</p> 	<p>No. 11081 KEY OEM: N/A</p> 	<p>No. 82400 O-RING FOR BEARING CARRIER OEM: 305123</p> 	<p>No. 22414 PROP SHAFT OEM: 395209 ø 1-3/16" (1979-1990)</p> 	

PROP SHAFT COMPONENTS - V4/V6/V8 - "O" Type (1991-2006)

Large Gearcase

<p>No. 22950 PROP SHAFT BEARING OEM: 434467</p> 	<p>No. 22870 REVERSE GEAR BEARING OEM: 382407</p> 	<p>No. 21642 THRUST WASHER REVERSE GEAR OEM: 314731</p> 	<p>No. 16300 THRUST BEARING REVERSE GEAR OEM: 382408</p> 	<p>See Section 4 for Gears</p> 	<p>No. 16340 THRUST BEARING FORWARD GEAR OEM: 389042</p> 	<p>No. 21646 THRUST WASHER FORWARD GEAR OEM: 327669</p> 	<p>No. 22910 FORWARD GEAR BEARING OEM: 389039</p> 	
<p>No. 22373 SCREW OEM: 350271</p> 	<p>No. 27850 TAB OEM: 333957</p> 	<p>No. 86810 PROP SHAFT SEAL OEM: 334950</p> 	<p>No. 11408 BEARING CARRIER W/ KEY BEARINGS & SEALS FOR 1991-UP GEARCASE OEM: 5000363</p> 	<p>No. 11081 KEY OEM: N/A</p> 	<p>No. 82400 O-RING FOR BEARING CARRIER OEM: 305123</p> 	<p>No. 21651 THRUST WASHER OEM: 336565</p> 		<p>No. 22417 PROP SHAFT OEM: 5004765 ø 1-1/4" (1991-2006)</p> 

Johnson / Evinrude

LOWER HOUSING BEARINGS APPLICATIONS

HP / Gcs. Type	Year	Drive Shaft Brg./Race	Pinion Bearing	P.Shaft Needle Bearing	Roller Bearing Reverse	Roller Bearing Forward	Roller Bearing Forward	Thrust Brg./Race Reverse	Thrust Brg./Race Forward
2-Cylinder Loopcharged (1975-1985) 40-60 HP									
40 All	1984-1985	21511	11423	22900	22890	-	-	-	-
50 All	1975-1985	21511	11423	22900	22890	-	-	-	-
55 All	1976-1985	21511	11423	22900	22890	-	-	-	-
60 All	1980-1985	21511	11423	22900	22890	-	-	-	-
2-Cylinder Loopcharged (1986-2005) 40-60 HP									
40 Small Old	1986-1988	21511	11423	22900	22890	-	-	-	-
40 Small New	1989-2000	16370/21649	11430	22900	22890	22870	22940	16350/21647	16360/21648
45 Small New	1989-1997	16370/21649	11430	22900	22890	22870	-	16350/21647	16360/21648
45 Large	1987-1997	16320/21643	11430	22860	22870	22870	-	16300/21641	16310/21644
48 Small New	1989-1996	16370/21649	11430	22900	22890	22870	22940	16350/21647	16360/21648
48 Large	1987-1996	16320/21643	11430	22860	22870	22870	-	16300/21641	16310/21644
50 Small Old	1986-1988	21511	11423	22900	22890	-	-	-	-
50 Small New	1989-2005	16370/21649	11430	22900	22890	22870	22940	16350/21647	16360/21648
50 Large	1986-2005	16320/21643	11430	22860	22870	22870	-	16300/21641	16310/21644
55 Small Old	1986-1988	21511	11423	22900	22890	-	-	-	-
55 Small New	1989-2005	16370/21649	11430	22900	22890	22870	-	16350/21647	16360/21648
55 Large	1986-2005	16320/21643	11430	22860	22870	22870	-	16300/21641	16310/21644
60 Small Old	1986-1988	21511	11423	22900	22890	-	-	-	-
60 Large	1986-1988	16320/21643	11430	22860	22870	22870	-	16300/21641	16310/21644
3-Cylinder Loopcharged (1973-2001) 65-75 HP									
65 Large	1973	16320/21643	11430	22860	22870	22870	-	16300/21641	16310/21644
65 Large	1984-2001	16320/21643	11430	22860	22870	22870	-	16300/21641	16310/21644
70 Small	1974-2001	21511	11423	22900	22890	-	-	-	-
75 Small	1979-1985	21511	11423	22900	22890	-	-	-	-
75 Large	1975-1988	16320/21643	11430	22860	22870	22870	-	16300/21641	16310/21644
V4 Gearcase (1978-1983)									
85 All	1978-1980	16330/21645	22880	22860	22870	22870	-	16300/21642	16310/21644
90 All	1981-1983	16330/21645	22880	22860	22870	22870	-	16300/21642	16310/21644
100 All	1980	16330/21645	22880	22860	22870	22870	-	16300/21642	16310/21644
115 All	1978-1983	16330/21645	22880	22860	22870	22870	-	16300/21642	16310/21644
V4 Gearcase (1984-Up)									
80 Small	1991-1999	16330/21645	22880	22860	22870	22870	-	16300/21642	16310/21644
80 "O" Type	1991-1999	16330/21645	21610	22950	22870	22910	-	16300/21642	16340/21646
90 Small	1984-2003	16330/21645	22880	22860	22870	22870	-	16300/21642	16310/21644
90 "O" Type	1984-1990	16330/21645	21610	11410	22870	22910	-	16300/21642	16340/21646
90 "O" Type	1991-2003	16330/21645	21610	22950	22870	22910	-	16300/21642	16340/21646
100 Small	1984-2005	16330/21645	22880	22860	22870	22870	-	16300/21642	16310/21644
100 "O" Type	1984-1990	16330/21645	21610	11410	22870	22910	-	16300/21642	16340/21646
100 "O" Type	1991-2005	16330/21645	21610	22950	22870	22910	-	16300/21642	16340/21646
115 Small	1984-Up	16330/21645	22880	22860	22870	22870	-	16300/21642	16310/21644
115 "O" Type	1984-1990	16330/21645	21610	11410	22870	22910	-	16300/21642	16340/21646
115 "O" Type	1991-Up	16330/21645	21610	22950	22870	22910	-	16300/21642	16340/21646
120 "O" Type	1985-1990	16330/21645	21610	11410	22870	22910	-	16300/21642	16340/21646
120 "O" Type	1991-1994	16330/21645	21610	22950	22870	22910	-	16300/21642	16340/21646
125 "O" Type	1989-1990	16330/21645	21610	11410	22870	22910	-	16300/21642	16340/21646



Johnson / Evinrude

OIL SEALS APPLICATIONS

HP	Year	Prop Shaft	Qty. Req.	Drive Shaft	Qty. Req.	HP	Year	Prop Shaft	Qty. Req.	Drive Shaft	Qty. Req.
1.5, 2, 2.5, 3	1958-1968	-	1	86450	1	40	1984-1985	86060	2	86160	2
1.5, 2	1968-1990	86450	1	86450	1	40 (AR, AE, AT)	1988	86030	1	86270 / 86150	1
2.5, 4	1973-1980	86450	1	86450	2	40	1986-1989	86060	2	86460 / 86150	1
2.5	1987	86510	2	86450	2	45 C	1985	86030	2	86270 / 86150	1
2.5, 4	1981-1995	-	1	86450	2	45 C	1986	86030	2	86460 / 86150	1
3 Weedless	1958-1968	86450	1	-	1	45 C	1987	86030	2	86270 / 86150	1
3, 4, 6 Weedless	1968-1982	86400	1	86400	1	45 C	1988-1994	86030	2	86270 / 86150	1
4	1981-90	86510	2	-	1	45 C	1995	86030	2	86460 / 86160	1
4	1984, 1986-95	-	1	86510	2	48	1988-1995	86060	2	86460 / 86160	1
4.5, 7.5	1980-1987	-	1	86510	1	50 (Manual)	1971-1974	86030	2	86150	2
5, 5.5, 6, 7.5	1957-1964	86360	1	86360	1	50	1975	86060	2	86160	1
5, 6, 8	1980-1987	-	1	86510	2	50	1979	86030	2	86150	2
6	1965-1967	-	1	86390	1	50	1980	86030	2	86160	1
6	1968-1979	86390	1	86400	1	50/60 (Pull Start)	1981-1983	86030	2	86150	1
9.5	1964-1973	86360	1	86360	1	50/60 (Electric)	1981-1983	86060	2	86160	1
9.9	1974-1983	86180	1	86170	1	50/60	1984-1985	86060	2	86160	1
9.9	1984-1995	86180	1	86170	1	50/60 (Small)	1986-1987	86060	2	86460 / 86160	1
10	1957-1958	86410	1	86430	1	50/60 (Large)	1986-1987	86030	2	86460 / 86160	1
10	1959-1963	86360	1	86360	1	50/60	1988-1989	86030	2	86460 / 86160	1
10	1981	86390 (inner)	1	-	1	50	1990-1995	86060	2	86460 / 86160	1
10	1989	86190 / 86150	1	86270 / 86150	1	55	1968-1969	85110	2	86160	2
14	1988-1990	86190 / 86150	1	86270 / 86150	1	55	1976-1977	86060	2	86160	2
15	1974-1983	86180	2	86170	1	55	1978	86160	1	86160	2
15	1984-1995	86180	2	86170	1	55	1979-1983	86030	2	86150	1
18	1957	86410	1	86430	1	55 (Electric)	1980-1983	85110	2	86150	2
18	1958-1973	86410	1	86430	1	55 C	1984	86030	2	86270 / 86150	1
20	1981-1982	86190 / 86420	1	86420	1	55 C	1985	86030	2	86270	1
20	1983	86190 / 86420	1	86150 / 86420	1	55 C	1986	86030	2	86460 / 86160	1
20	1984	86120 / 86150	1	86270 / 86420	1	55 C	1987-1994	86030	2	86270 / 86160	1
20	1985-1986	85120	1	86200	1	55 C	1995	86030	2	86460 / 86770	1
20	1987-1995	85120	1	86200 / 86520	1	60 (Manual)	1964-1968	86740	1	86750	1
25	1969-1976	86410	1	86430	1	60	1970	85110	1	86160	2
25	1977-1978	86410	1	86430	1	60 (3-Cyl.)	1971	86030	2	86160	2
25	1979-1982	86190 / 86420	1	86420	1	60 (Pull Start)	1980-1983	86030	2	86150	2
25	1983	86190 / 86420	1	86150 / 86420	1	60 (Electric)	1980-1983	86030	2	86160	2
25	1984	86190 / 86150	1	86270 / 86420	1	60	1970	85110	1	86160	2
25	1985-1986	85120	1	86200	2	60 SST	1989	86060	2	86460 / 86160	1
25	1987-1995	85120	1	86270 / 86420	1	60 SST	1990	86060	1	286460 / 86160	1
25 C	1982	86420	1	86420	1	60 (3-Cyl.)	1987-1995	86030	2	86460 / 86160	1
25 C	1983	86190 / 86150	1	86150 / 86420	1	65 (Manual)	1968	86740	1	86750	1
25 C	1984-1990	86190 / 86150	1	86270 / 86150	1	65 (3-Cyl.)	1972-1973	86030	2	86160	2
28	1962-1964	86350	1	86410	1	65 C	1984-1985	86030	2	86160	2
28	1987-1990	86190 / 86150	1	86270 / 86150	1	65 C	1986-1989	86030	2	86460 / 86160	1
30	1984-1986	85120	1	86200	1	70 (Large)	1974-1985	86030	2	86160	2
30	1987-1995	85120	1	86200 (inner)	1	70 (Large)	1986-1995	86030	2	86460 / 86160	1
33	1965-1976	86350	1	86410	1	70 (Small)	1977-1985	86060	2	86160	2
35	1957-1959	86350	1	86410	1	75 (Manual)	1960-1962	86740	1	86750	1
35	1976	85120	1	86150	2	75 (Large)	1975-1984	86030	2	86160	2
35	1977-1986	85120	2	86200	2	75 (Large)	1986-1987	86030	2	86460 / 86160	1
35	1987-1990	85120	2	86200 (inner)	1	75 (Small)	1975-1984	86060	2	86160	2
40	1960-1961	86350	1	86410	1	80	1966-1968	86740	1	86750	1
40	1962-1973	86350	1	86410	1	85	1969-1970	85110	2	86160	2
40	1974-1976	86350	1	86180	1	85	1971-1972	86030	2	86160	2
40 C	1981-1986	86350	1	86180	2	85	1973-1980	86030	2	85120	2



Johnson / Evinrude

OIL SEALS APPLICATIONS CONTINUED

HP	Year	Prop Shaft	Qty. Req.	Drive Shaft	Qty. Req.
88	1987-1994	86030	2	86240 / 86250	1
90	1981-1983	86030	2	85120	2
90	1984-1994	86030	2	86240 / 86250	1
90 Seadrive	1985-1990	86030	2	86240 / 86250	1
100	1971-1972	86030	2	86160	2
100	1979-1980	86030	2	85120	2
100 C	1984-1990	85130	2	86240 / 86250	1
110	1986-1988	86030	2	86240 / 86250	1
115	1969-1970	85110	2	86160	2
115	1973-1983	86030	2	85120	2
115	1984-1985	86030	2	86240 / 86250	1
115	1990-1994	86030	2	86240 / 86250	1
120	1985	85130	2	86240 / 86250	1
120	1986-1988	86030	2	86240 / 86250	1
120	1989	85130	2	86240 / 86250	1
120	1990-1994	86030	2	86240 / 86250	1
125	1971-1972	86030	2	86160	2
125 C	1989	85130	2	86240 / 86250	1
125 C (ESX)	1989	86030	2	86240	1
135	1973-1976	86030	2	85120	2
140	1977-1983	86030	2	85120	2
140	1984	86030	2	85120	2
140	1985	85130	2	86240 / 86250	1
140	1986-1994	86030	2	86240 / 86250	1
140 TX	1989	85130	1	86240 / 86250	1
150	1978-1983	85130	2	85120	2
150	1984	85130	2	86240 / 86250	1
155 C	1984-1985	85130	2	86240 / 86250	1
155 C	1986-1990	85130	2	86240 / 86250	1
175	1977-1985	85130	2	85120	2
175	1986-1990	85130	2	86240 / 86250	1
185	1984-1985	85160	2	86240 / 86250	1
185	1990	85130	2	86240 / 86250	1
200	1976-1983	85130	2	85120	2
200	1984-1985	85130	2	86240 / 86250	1
200, 225	1986-1990	85130	2	86240 / 86250	1
235	1978-1983	85130	2	85120	2
235	1984-1985	85130	2	86240 / 86250	1
275	1985-1988	85130	2	86240 / 86250	1
3.6L, 300	1985-1990	85130	2	86240 / 86250	1

DRIVE SHAFT HOUSING OIL SEALS APPLICATIONS

HP	Year	Oil Seal	Qty.	Application
5, 6, 6.5, 8	1982-2001	86510	1	Driveshaft to Exhaust Housing
25, 40, 45, 50, 55	1987-1994	86270	1	Exhaust Housing to Adapter
50	1958-1968	86060	1	Pivot Shaft
60	1958-1968	86060	1	Pivot Shaft
65	1958-1968	86060	1	Pivot Shaft
75	1961-1968	86060	1	Pivot Shaft
80	1961-1968	86060	1	Pivot Shaft
85	1961-1968	86060	1	Pivot Shaft
90	1964-1968	86060	1	Pivot Shaft
100	1964-1968	86060	1	Pivot Shaft

Johnson / Evinrude

LOWER DRIVE SHAFT IDENTIFICATION

No. 22405

OEM: 346004
 V4 60°
 Small Gearcase
Length: 9-7/16"
Pinion Bearing Journal ø: 1-1/8"
Pinion Gear Splines: 6



No. 22409

OEM: 346006
 V4 90°
 Small Gearcase
Length: 8-3/4"
Pinion Bearing Journal ø: 1-1/8"
Pinion Gear Splines: 6

No. 22407

OEM: 345905
 "O" Type
 Large Gearcase
Length: 9-1/2"
Pinion Bearing Journal ø: 1-1/8"
Pinion Gear Splines: 19

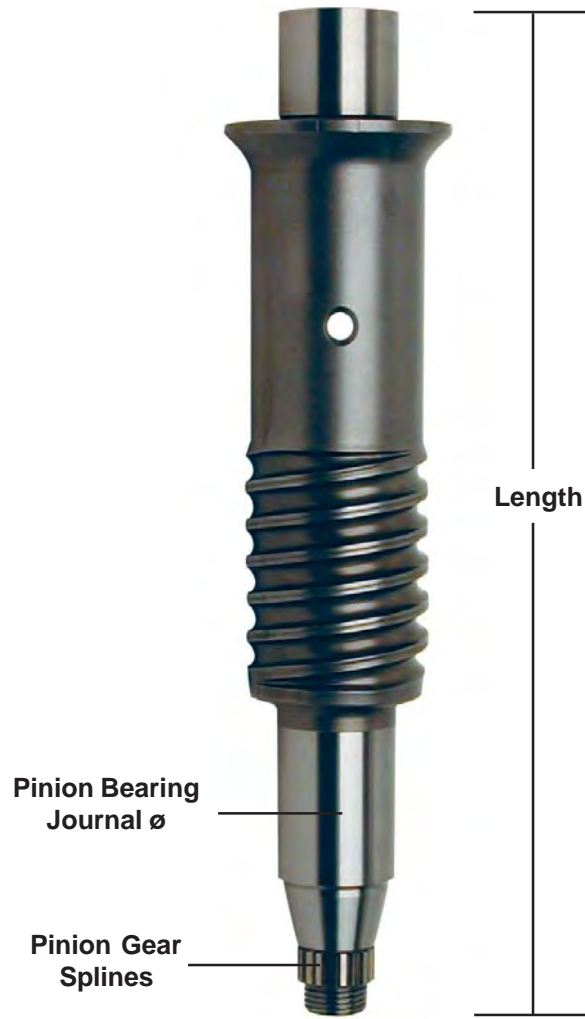
No. 22403

OEM: 347371
 "M" Type
 Large Gearcase
Length: 9-1/2"
Pinion Bearing Journal ø: 1-1/8"
Pinion Gear Splines: 20



No. 22408

OEM: 335679
 V8
 Large Gearcase
Length: 10"
Pinion Bearing Journal ø: 1-9/32"
Pinion Gear Splines: 19



V4/V6 TWO-PIECE DRIVE SHAFT APPLICATIONS - LOWER SHAFT

Model	Year	Gearcase Type	Drive Shaft GLM No.	Drive Shaft OEM No.
V4 All Crossflow	1978-1997	Small (V4 90°)	22409	346006
V4 All Crossflow	1984-1997	"O" Type	22407	345905
V4 90° Loopcharged	1985-1998	"O" Type	22407	345905
V4 60°	1995-2006	Small (V4 60°)	22405	346004
V4 60°	1995-2006	"O" Type	22407	345905
V6 90°	1978-2006	"O" Type	22407	345905
V6 60°	1991-2006	"O" Type	22407	345905
V6	2002-2006	"M" Type	22403	347371



Johnson / Evinrude

UPPER DRIVE SHAFT IDENTIFICATION

No. 22431

OEM: 5000618
Length: 25-1/4"

No. 22432

OEM: 5000626
Length: 30-1/4"

No. 22433

OEM: 5000614
Length: 25-11/16"

No. 22434

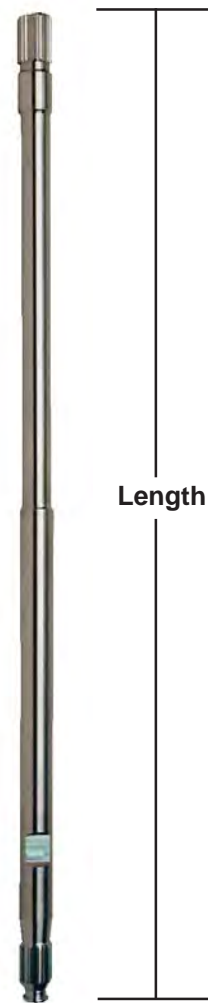
OEM: 5000623
Length: 30-11/16"

No. 22435

OEM: 5000615
Length: 24-3/4"

No. 22436

OEM: 5000624
Length: 29-3/4"




V4/V6 TWO-PIECE DRIVE SHAFT APPLICATIONS - UPPER SHAFT

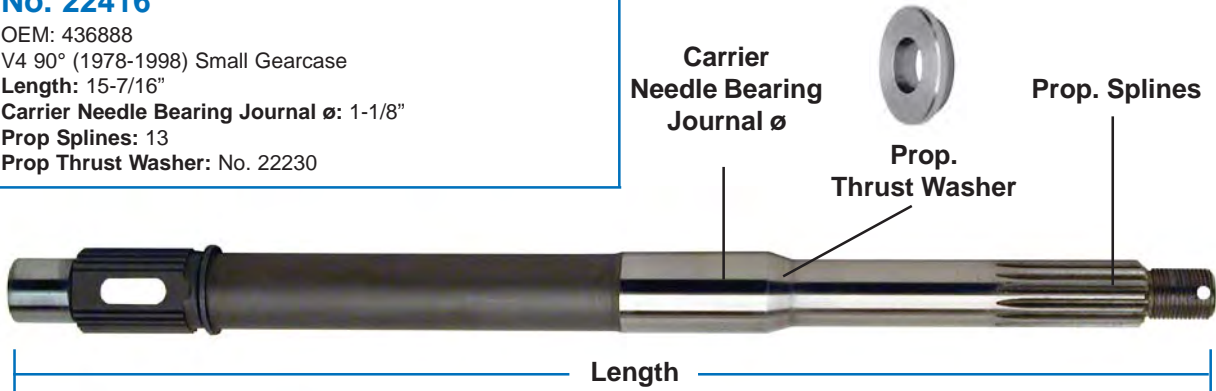
Model	Year	20" Standard Transom			25" Long Transom		
		GLM No.	OEM No.	Length	GLM No.	OEM No.	Length
V4 All	1978-1991	22431	5000618	25-1/4"	22432	5000626	30-1/4"
V4 90°	1992-1998	22433	5000614	25-11/16"	22434	5000623	30-11/16"
V4 60°	1995-2006	22435	5000615	24-3/4"	22436	5000624	29-3/4"
V6 All	1976-1991	22431	5000618	25-1/4"	22432	5000626	30-1/4"
V6 90°	1992-2006	22433	5000614	25-11/16"	22434	5000623	30-11/16"
V6 60°	1991-2006	22435	5000615	24-3/4"	22436	5000624	29-3/4"

Johnson / Evinrude

PROP SHAFT IDENTIFICATION

<p>No. 22421 OEM: 439138 2-Cyl. Loopcharged (1989-2005) Small Gearcase Length: 13-13/32" Carrier Needle Bearing Journal ϕ: 1.0" Prop Splines: 13 Prop Thrust Washer: No. 22240</p>	<p>No. 22419 OEM: 436834 V4 60° (1995-2006) Small Gearcase Length: 16-9/16" Carrier Needle Bearing Journal ϕ: 1-1/8" Prop Splines: 13 Prop Thrust Washer: No. 22230</p> <p style="text-align: right;"></p>
<p>No. N/A OEM: 386659 2 & 3-Cyl. Loopcharged (1975-1988) Small Gearcase Length: N/A Carrier Needle Bearing Journal ϕ: 1.0" Prop Splines: 13 Prop Thrust Washer: No. 22240</p>	<p>No. 22414 OEM: 395209 "O" Type (1979-1990) Large Gearcase Length: 17-27/32" Carrier Needle Bearing Journal ϕ: 1-3/16" Prop Splines: 15 Prop Thrust Washer: No. 22220</p>
<p>No. 22418 OEM: 439185 2 & 3-Cyl. Loopcharged (1975-2006) Large Gearcase Length: 14-29/64" Carrier Needle Bearing Journal ϕ: 1-1/8" Prop Splines: 13 Prop Thrust Washer: No. 22230</p>	<p>No. 22417 OEM: 5004765 "O" Type (1991-2006), "M" Type (2001-2006) Large Gearcase Length: 17-7/8" Carrier Needle Bearing Journal ϕ: 1-1/4" Prop Splines: 15 Prop Thrust Washer: No. 22221</p>

No. 22416
 OEM: 436888
 V4 90° (1978-1998) Small Gearcase
Length: 15-7/16"
Carrier Needle Bearing Journal ϕ : 1-1/8"
Prop Splines: 13
Prop Thrust Washer: No. 22230



The diagram shows a prop shaft with a black handle on the left and a metal shaft with splines on the right. A thrust washer is shown above the shaft. Labels with leader lines point to the 'Carrier Needle Bearing Journal ø', 'Prop. Thrust Washer', and 'Prop. Splines'. A dimension line below the shaft is labeled 'Length'.

PROP SHAFT APPLICATIONS

Model	Year	Gearcase Type	Prop Shaft GLM No.	Prop Shaft OEM No.
2 & 3-Cyl. Loopcharged	1975-1988	Small	-	386659
2-Cyl. Loopcharged	1989-2006	Small	22421	439138
2 & 3-Cyl. Loopcharged	1975-2006	Large	22418	439185
V4 All Crossflow	1978-1998	Small (V4 90°)	22416	436888
V4 90° All	1984-1990	"O" Type	22414	395209
V4 90° All	1991-1998	"O" Type	22417	5004765
V4 60°	1995-2006	Small (V4 60°)	22419	436834
V4 60°	1995-2006	"O" Type	22417	5004765
V6 90°	1978-1990	"O" Type	22414	395209
V6 90°	1991-2006	"O" Type	22417	5004765
V6 60°	1991-2006	"O" Type	22417	5004765
V6	2002-2006	"M" Type	22417	5004765



Section 7

Johnson / Evinrude Water Pumps

<i>Water Pump Impellers 15 HP & Below</i>	82
<i>Water Pump Kits 15 HP & Below</i>	83
<i>Water Pump Impellers 18-40 HP 2-Cyl. Crossflow</i>	84
<i>Water Pump Kits 18-40 HP 2-Cyl. Crossflow</i>	85
<i>Water Pump Impellers 2 & 3-Cyl. Loopcharged</i>	86
<i>Water Pump Kits 2 & 3-Cyl. Loopcharged & eTec 40-60 HP ..</i>	87-90
<i>Water Pump Housings V4/V6/V8</i>	91
<i>Water Pump Impellers V4/V6/V8</i>	92
<i>Water Pump Kits V4/V6/V8</i>	93-95
<i>Water Pump Impellers.....</i>	96
<i>Water Pump Wear Plates</i>	97
<i>Water Pump Cups</i>	98
<i>Water Pump Housings</i>	99
<i>Water Pump Components</i>	100
<i>Water Pump Kits Applications</i>	101-103

Johnson / Evinrude

WATER PUMP IMPELLERS 15 HP & BELOW

Water Pump Impeller Identification 15 HP & Below

These water pump impellers can be divided into two distinct groups.
High volume water pumps use long vane impellers (old style).
High pressure water pumps use short van impellers (new style).

No. 89580

HIGH VOLUME / LONG VANE IMPELLER
OEM: 434424
(1952-1982) See Water Pumps
Application Guide for Models
Outside ø: 2.50"
Inside ø: .425"



*No. 89594

KEY - PIN
OEM: 300611



* Order Separately

No. 89490

HIGH PRESSURE / SHORT VANE IMPELLER
OEM: 387361
(1968-1990) See Water Pumps
Application Guide for Models
Outside ø: 1.50"
Inside ø: .440"



*No. N/A

KEY - PIN
OEM: 321130



* Order Separately

No. 89650

HIGH VOLUME / LONG VANE IMPELLER
OEM: 775518
(1956-1963) 10 HP
Outside ø: 2.50"
Inside ø: .500"



*No. 89594

KEY - PIN
OEM: 300611



* Order Separately

No. 89500

HIGH PRESSURE / SHORT VANE IMPELLER
OEM: 389576, 436137
(1980-1990) See Water Pumps
Application Guide for Models
Outside ø: 1.50"
Inside ø: .440"



*No. 89594

KEY - PIN
OEM: 300611



* Order Separately

No. 89670

HIGH VOLUME / LONG VANE IMPELLER
OEM: 775519, 377178
(1964-1973) 9.5 HP
Thru-Cavitation Plate Exhaust
Outside ø: 2.50"
Inside ø: .550"



*No. 89594

KEY - PIN
OEM: 300611



* Order Separately

No. 89770

HIGH PRESSURE / SHORT VANE IMPELLER
OEM: 386084
(1974-Up) 9.9, 15 HP
Thru-Prop Exhaust
Outside ø: 1.50"
Inside ø: .500"



*No. 89594

KEY - PIN
OEM: 300611



* Order Separately



Johnson / Evinrude

WATER PUMP KITS 15 HP & BELOW

No. 12065

OEM: N/A



Fits (1980-Up) 4, 4.5, 5, 6, 7.5 and 8 HP 2-Stroke outboards.

No. 12050

OEM: 394711



Fits (1974-Up) 9.9, 15 HP. Fits (1994-Up) 9.9, 15 HP 4-Stroke.

No. 22322

SCREW

OEM: 324430

Kit Contains: 4



No. 89594

PIN

OEM: 300611

No. 22360

SCREW

OEM: 302325

Kit Contains: 4



No. 80120

O-RING

OEM: 202893

No. 86492

GROMMET

OEM: 302497



No. 36810

GASKET

OEM: 325040

Kit Contains: 2

No. 86498

GROMMET

OEM: 338908



No. 89770

IMPELLER

OEM: 386084

No. 86499

GROMMET

OEM: 321129



No. 12555

WEAR PLATE

OEM: 324640

No. 86492

GROMMET

OEM: 302497



No. 89594

PIN

OEM: 300611

No. 12436

PUMP HOUSING

OEM: 389577



No. 80110

O-RING

OEM: 25-62702

No. 86496

GROMMET

OEM: 327035



No. 86120

SEAL

OEM: 318972

No. 12818

PUMP CUP

OEM: 324641



No. 12460

PUMP HOUSING

OEM: 435390



No. 12610

WEAR PLATE

OEM: 318995

No. 89500

IMPELLER

OEM: 389576



No. 12813

PUMP CUP

OEM: 324097



No. 83200

O-RING

OEM: 319085

Water Pump Kits w/o Housing

No. 12255

W/O HOUSING

OEM: 396644



Kit Contains:

GLM	OEM	ITEM
89500	389576	Impeller
89594	300611	Pin
12818	324641	Pump Cup
12555	324640	Wear Plate
36810 (2)	325040	Gasket
80110	303191	O-ring
86492	302497	Grommet
86499	302497	Grommet
22322 (4)	324430	Screws

Fits (1980-Up) 4, 4.5, 5, 6, 7.5 and 8 HP 2-Stroke outboards.

Water Pump Impeller Kits

No. 12108

OEM: N/A

Kit Contains:

GLM	OEM	ITEM
12600	203132	Wear Plate
89580	434424	Impeller



3-5 HP (1952-78), 4 HP (1969-83), 5 HP (1965-68)
5.5 HP (1954-79), 6 HP (1954-79), 7.5 HP (1954-58)

Johnson / Evinrude

WATER PUMP IMPELLERS 18-40 HP 2-CYLINDER CROSSFLOW

Water Pump Impeller Identification 18-40 HP

The Johnson / Evinrude 2-Cylinder crossflow engine has used two different styles of gearcases. Until the 1980 model all gearcases were a two-piece design and had thru-cavitation plate exhaust. This gearcase was in production until 1997. A one-piece gearcase with thru-prop exhaust was introduced in 1980 and in production until 2005.

No. 89650

OEM: 775518
(1957-1978) 18, 20, 25 HP
Outside ø: 2.750"
Inside ø: .50"
Fits Two-Piece Gearcase w/
Thru-Cavitation Plate Exhaust



*No. 89595

KEY - STAINLESS STEEL HALF-MOON
OEM: 308928



* Order Separately

No. 89750

OEM: 395289
(1979-2005) 20-35 HP
Outside ø: 1.975"
Inside ø: .625"
Fits One-Piece Gearcase w/
Thru-Prop Exhaust.
Fits Two-Piece Gearcase w/
Thru-Cavitation Plate Exhaust



Impeller includes:

No. 89593

KEY - WHITE PLASTIC WEDGE
OEM: 344470



No. 89660

OEM: 777213
(1958-1970) 35, 40 HP
Outside ø: 2.750"
Inside ø: .625"
Height: .875"
Fits Two-Piece Gearcase w/
Thru-Cavitation Plate Exhaust



*No. 89595

KEY - STAINLESS STEEL HALF-MOON
OEM: 308928



* Order Separately

No. 89480

OEM: 775521
(1971-1973) 40 HP
Outside ø: 2.750"
Inside ø: .625"
Height: .50"
Fits Two-Piece Gearcase w/
Thru-Cavitation Plate Exhaust



*No. 89595

KEY - STAINLESS STEEL HALF-MOON
OEM: 308928



* Order Separately

No. 89990

OEM: 390286
(1974-1976) 40 HP, (1981-1987) 40 HP
Outside ø: 2.00"
Inside ø: .690"
Fits Two-Piece Gearcase w/
Thru-Cavitation Plate Exhaust



*No. 89595

KEY - STAINLESS STEEL HALF-MOON
OEM: 308928



* Order Separately

Johnson / Evinrude

WATER PUMP KITS 18-40 HP 2-CYLINDER CROSSFLOW

No. 12070

OEM: 393630



Fits (1980-2005) 20-35 HP 2-Cyl. crossflow engines with thru-prop exhaust and one-piece gearcase.

No. 12060

OEM: 395270



Fits (1979-1998) 18, 25 and 28 HP 2-Cyl. crossflow engines with thru-cavitation plate exhaust and two-piece gearcase.

No. 22360

SCREW

OEM: 324960

Kit Contains: 6



No. 80180

O-RING

OEM: 311338

Kit Contains: 2



No. 22360

SCREW

OEM: 324960

Kit Contains: 4



No. 34560

GASKET

OEM: 329390



No. 86492

GROMMET

OEM: 302497



No. 86230

SEAL

OEM: 328753



No. 86492

GROMMET

OEM: 302497



No. 12640

WEAR PLATE

OEM: 329391



No. 21721

WASHER

OEM: 318452

Kit Contains: 6



No. 12630

WEAR PLATE

OEM: 328755



No. 12440

PUMP HOUSING

OEM: 330560



No. 33511

GASKET

OEM: 324449



No. 45230

O-RING

FOR BUSHING

OEM: 301877



No. 34520

GASKET

OEM: 325537



No. 12812

PUMP CUP

OEM: 328751



No. 86150

OIL SEAL

OEM: 321459



No. 12470

PUMP HOUSING

OEM: 393632

* Includes 21427



No. 81220

O-RING

OEM: 554545



No. 81170

O-RING

OEM: 301967

Kit Contains: 2



No. 21427*

BRASS BUSHING

OEM: 328754

Included in 12470



No. 89750

IMPELLER

OEM: 395289



No. 89750

IMPELLER

OEM: 395289



No. 12812

PUMP CUP

OEM: 328751



No. 89593

KEY

OEM: 330619



No. 89593

KEY

OEM: 330619



No. 12247

OEM: 391741



Fits (1974-1976) 40 2-Cyl. crossflow engines
Fits (1981-1987) 40 Comm. 2-Cyl. crossflow engines with thru-cavitation plate exhaust and two-piece gearcase. Half-moon key.

No. 12816

PUMP CUP

OEM: 325397



No. 12564

WEAR PLATE

OEM: 325398



No. 89990

IMPELLER

OEM: 390286



No. 36850

GASKET

OEM: 325399



No. 86483

GROMMET

OEM: 304026



No. 12474

PUMP HOUSING

OEM: 390613

No. 36860

GASKET

OEM: 325229



No. 86180

OIL SEAL

OEM: 321481










Johnson / Evinrude

WATER PUMP IMPELLERS 2 & 3-CYLINDER LOOPCHARGED

Water Pump Impeller Identification 2 & 3-Cylinder Loopcharged

There are four different sized lower gear housings used on these outboards:

- 1968-1994, small diameter gear housing utilizing a small 6 vane water pump impeller and a small water pump housing.
- 1968-2005, large diameter gear housing utilizing a large 6 vane water pump impeller and a large water pump housing.
- 1989-2005, 40, 45, 48, 50 HP 2-Cylinder, small diameter gear housing utilizing a large 3 vane water pump impeller and a large water pump housing.
- 1996-2001, 25, 30 and 35 HP 3-Cylinder, small diameter gear housing utilizing a small 6 vane water pump impeller and a small water pump housing.

<p>No. 89660 OEM: 777213 (1971-1978) small \varnothing lower gear hsg. Outside \varnothing: 2.750" Inside \varnothing: .625"</p>  <p>*No. 89595 KEY - STAINLESS STEEL HALF-MOON OEM: 308928</p> <p>* Order Separately</p>	<p>No. 89750 OEM: 395289 (1996-2001) 3-Cyl. 25, 30, 35 HP small \varnothing lower gear hsg. Outside \varnothing: 1.975" Inside \varnothing: .625"</p>  <p>Impeller includes: No. 89593 KEY - WHITE PLASTIC WEDGE OEM: 330619</p>
<p>No. 89690 OEM: 389589 (1979-1985) small \varnothing lower gear hsg. Outside \varnothing: 2.750" Inside \varnothing: .625"</p>  <p>*No. 89594 KEY - PIN OEM: 300611</p> <p>* Order Separately</p>	<p>No. 89940 OEM: 382547 (1968-1978) large \varnothing lower gear hsg. Outside \varnothing: 3.600" Inside \varnothing: .750"</p>  <p>*No. 89595 KEY - STAINLESS STEEL HALF-MOON OEM: 308928</p> <p>* Order Separately</p>
<p>No. 89780 OEM: 396809 (1984-1994) small \varnothing lower gear hsg. Outside \varnothing: 2.750" Inside \varnothing: .625"</p>  <p>Impeller includes: No. 89593 KEY - WHITE PLASTIC WEDGE OEM: 330619</p>	<p>No. 89710 OEM: 396725 (1979-2001) large \varnothing lower gear hsg. Outside \varnothing: 3.600" Inside \varnothing: .750"</p> 
<p>No. 89790 Impeller includes: OEM: 432941 No. 81250 O-ring (1989-2005) 2-Cyl. 40, 45, 48, 50 HP small \varnothing lower gear hsg. Outside \varnothing: 3.600" Inside \varnothing: .750"</p>  <p>*No. 89592 KEY - BLACK PLASTIC WEDGE OEM: 334897</p> <p>* Order Separately</p>	<p>Impeller includes: No. 89591 KEY - WHITE PLASTIC WEDGE OEM: 331901</p> <p>Impeller includes: No. 89592 KEY - BLACK PLASTIC WEDGE OEM: 334897</p>

Johnson / Evinrude

WATER PUMP KITS 2 & 3-CYLINDER LOOPCHARGED

No. 12232

OEM: 389133



Fits (1971-1978) 2-Cyl. and 3-Cyl. loopcharged engines with the small gearcase. Small water pump with half-moon key impeller.

No. 12210

OEM: 439077



Fits (1984-1994) 2-Cyl. and 3-Cyl. loopcharged engines with the small gearcase. Small water pump with plastic wedge key impeller.

No. 22324

SCREW

OEM: 331980

Kit Contains: 2



No. 89595

KEY

OEM: 308928



No. 22324

SCREW

OEM: 331980

Kit Contains: 2



No. 89593

KEY - PLASTIC

OEM: 344470



No. 12940

TUBE GUIDE

OEM: 315838



No. 86580

SEAL

OEM: 315788



No. 12940

TUBE GUIDE

OEM: 315838



No. 86580

SEAL

OEM: 315788



No. 86494

GROMMET

OEM: 315837



No. 12620

WEAR PLATE

OEM: 320981



No. 86494

GROMMET

OEM: 315837



No. 12620

WEAR PLATE

OEM: 320981



No. 22360

SCREW

OEM: 302325

Kit Contains: 4



No. 33150

GASKET

OEM: 336530



No. 22360

SCREW

OEM: 302325

Kit Contains: 4



No. 33150

GASKET

OEM: 336530



No. 12450

PUMP HOUSING

OEM: 384087



No. 86491

GROMMET

OEM: 315748



No. 12450

PUMP HOUSING

OEM: 384087



No. 86491

GROMMET

OEM: 341732



No. 12814

PUMP CUP

OEM: 320775

+320776



No. 12814

PUMP CUP

OEM: 320775

+320776



No. 81120

O-RING

OEM: 303059



No. 81120

O-RING

OEM: 303059



No. 89660

IMPELLER

OEM: 377230



No. 89780

IMPELLER

OEM: 396809



No. 89591

KEY - WHITE

OEM: 331901



Johnson / Evinrude

WATER PUMP KITS 2 & 3-CYLINDER LOOPCHARGED / ETEC 40-60HP

No. 12235

OEM: 5000308, 5006511



Fits (1995-2005) 40, 45 and 55 HP, (2004-2005) 40, 50 and 60 HP
2-Cyl. loopcharged engines with the large gearcase.
Fits e40 (2005), e40, e50, e60 HP (2006-2011)
Large water pump with the six vane impeller.

No. 12245

OEM: 438592



Fits (1989-2005) 40, 45, 48 and 50 HP 2-Cyl. loopcharged engines w/
small gearcase. Large water pump with the three vane impeller.

No. 22360

SCREW
OEM: 10-28667
Kit Contains: 4



No. 86570

SEAL
OEM: 324981



No. 22360

SCREW
OEM: 302325
Kit Contains: 4



No. 12551

WEAR PLATE
OEM: 341038



No. 12821

SCREW
OEM: 10-30720
Kit Contains: 2



No. 12551

WEAR PLATE
OEM: 341038



No. 86497

GROMMET
OEM: 333758



No. 33150

GASKET
OEM: 336530



No. 86497

GROMMET
OEM: 333758



No. 33150

GASKET
OEM: 336530



No. 12480

PUMP HOUSING
OEM: 438544



No. 86491

GROMMET
OEM: 341732



No. 12482

PUMP HOUSING
OEM: 438545



No. 86491

GROMMET
OEM: 315748

No. 81250

O-RING
OEM: 331188



No. 12815

PUMP CUP
OEM: 340619



No. 12815

PUMP CUP
OEM: 340619



No. 81140

O-RING
OEM: 335132



No. 89790

IMPELLER
OEM: 432941



No. 89710

IMPELLER*
OEM: 396725



*comes w/ keys
No. 89592 & No.89591

No. 82100

O-RING
OEM: 310584



No. 89592

KEY (BLACK)
OEM: 334897



No. 89592

KEY
OEM: 334897



No. 89591

KEY (WHITE)
OEM: 331901



No. 86570

SEAL
OEM: 324981



Johnson / Evinrude

WATER PUMP KITS 2 & 3-CYLINDER LOOPCHARGED

No. 12233

OEM: 437907
3-Cylinder



Fits (1996-2001) 25, 30 and 35 HP 3-Cyl. loopcharged engines.

No. 12246

OEM: 432955



Fits (1986-2001) 65, 70 and 75 HP 3-Cyl. loopcharged engines w/ large gearcase. Large water pump w/ plastic wedge key impeller.

No. 22351

SCREW
OEM: 328725
Kit Contains: 6



No. 12630

WEAR PLATE
OEM: 328755



No. 12950

TUBE GUIDE
OEM: 319276



No. 89710

IMPELLER
OEM: 396725

No. 86487

GROMMET
OEM: 340811



No. 34520

GASKET
OEM: 325537

No. 86493

GROMMET
OEM: 344227



No. 89591

KEY - WHITE
OEM: 331901

No. 21427

BUSHING
OEM: 328754



No. 86216

SEAL
OEM: 342370

No. 22320

SCREW
OEM: 908158
Kit Contains: 2



No. 89592

KEY - BLACK
OEM: 334897

No. 12472

PUMP HOUSING
OEM: 339720



No. 45230

O-RING
OEM: 301877

No. 22360

SCREW
OEM: 302325
Kit Contains: 4



No. 33150

GASKET
OEM: 336530

No. 12812

PUMP CUP
OEM: 328751



No. 86490

GROMMET
OEM: 314008



No. 12551

WEAR PLATE
OEM: 341038

No. 81220

O-RING
OEM: 554545



No. 12400

PUMP HOUSING
OEM: 438543



No. 86570

SEAL
OEM: 324981

No. 89750

IMPELLER
OEM: 395289



No. 12815

PUMP CUP
OEM: 340619



No. 86491

GROMMET
OEM: 341732

No. 89593

KEY
OEM: 344470



No. 81140

O-RING
OEM: 326649



No. 86230

SEAL
OEM: 328753



Johnson / Evinrude

WATER PUMP KITS 2 & 3-CYLINDER LOOPCHARGED

No. 12244

OEM: 438579



Fits (1974-1978) 70 and 75 HP 3-Cyl. loopcharged engines with the large gearcase. Large water pump with half-moon key impeller.

No. 12240

OEM: 438602



Fits (1979-2005) 40-60 HP 2-Cyl. loopcharged engines with the large gearcase. Fits (1979-1985) 65, 70 and 75 HP 3-Cyl. loopcharged engines with the large gearcase. Large water pump with the plastic wedge key impeller.

No. 22360

SCREW

OEM: 331979

Kit Contains: 4



No. 89595

KEY

OEM: 308928



No. 22360

SCREW

OEM: 302325

Kit Contains: 4



No. 89591

KEY - WHITE

OEM: 331901



No. 22320

SCREW

OEM: 908158

Kit Contains: 2



No. 34330

GASKET

OEM: 319586



No. 22320

SCREW

OEM: 908158

Kit Contains: 2



No. 89592

KEY - BLACK

OEM: 334897



No. 12950

TUBE GUIDE

OEM: 319276



No. 12551

WEAR PLATE

OEM: 341038



No. 12950

TUBE GUIDE

OEM: 319276



No. 86570

SEAL

OEM: 324981



No. 86490

GROMMET

OEM: 314008



No. 33150

GASKET

OEM: 336530



No. 86490

GROMMET

OEM: 314008



No. 12551

WEAR PLATE

OEM: 341038



No. 12400

PUMP HOUSING

OEM: 438543



No. 86491

GROMMET

OEM: 315748



No. 12400

PUMP HOUSING

OEM: 438543



No. 33150

GASKET

OEM: 336530



No. 12815

PUMP CUP

OEM: 340619



No. 12815

PUMP CUP

OEM: 340619



No. 86491

GROMMET

OEM: 341732



No. 81140

O-RING

OEM: 326649



No. 81140

O-RING

OEM: 326649



No. 89940

IMPELLER

OEM: 382547



No. 89710

IMPELLER

OEM: 396725



Johnson / Evinrude

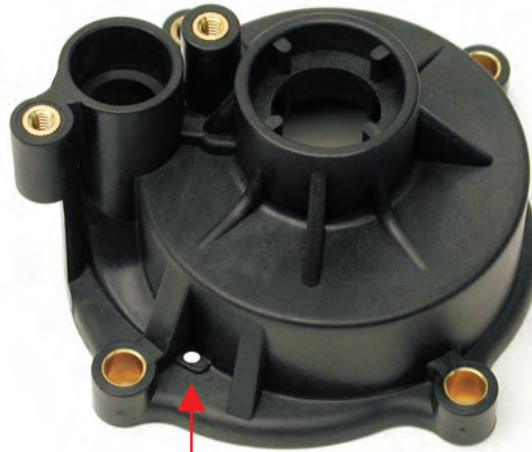
WATER PUMP HOUSINGS V4/V6/V8

Water Pump Housing Identification V4 (1977-2006), V6 (1976-2006), V8 (All Years)

There are two Johnson / Evinrude water pump housings for the above models. The housings are identical except for a small spray hole that shoots cooling water on the exhaust pipe inside the intermediate housing. The spray hole is used on the 25" long shaft and 30" extra long shaft outboards. The standard 20" shaft outboard doesn't need the spray hole. When in doubt, use the housing No. 12430 with the spray hole.

No. 12430

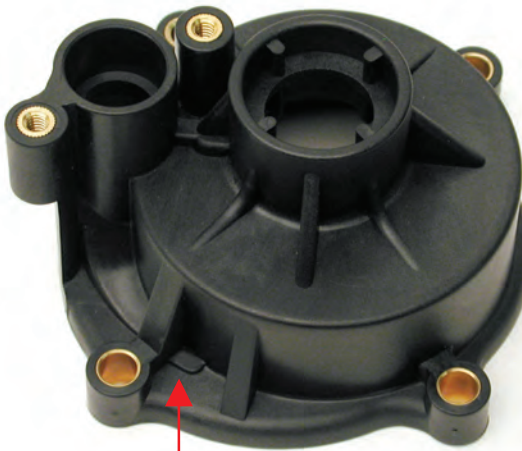
WATER PUMP HOUSING
W/ SPRAY HOLE
OEM: 435990



Spray Hole

No. 12395

WATER PUMP HOUSING
W/OUT SPRAY HOLE
OEM: 435959



No Spray Hole

Johnson / Evinrude

WATER PUMP IMPELLERS V4/V6/V8

Water Pump Impeller Identification V4/V6/V8

There have been only four different water pump impellers used in the 1958-2006 V4, V6 and V8 Johnson / Evinrude 2-Stroke outboard motors.

The 1958-1968 V4 engines are identified by the thru-cavitation plate exhaust gear housings. The impeller number is GLM No. 89470.

The 1969-1972 V4 engines are identified by the thru-prop exhaust gear housings with electric / hydraulic shift. They are shifted electronically with an electric shift control box (only one mechanical cable running to the engine, a throttle cable). The impeller fits on a .750 inch diameter shaft and is held in place with a half-moon key. The impeller number is GLM No. 89612.

1973-1978 V4 and V6 engines use an impeller that fits on a .875 inch diameter shaft and is held in place with a half-moon key. The impeller number is GLM No. 89680.

1979-2006 V4, V6 and V8 engines use an impeller that fits on a .875 inch diameter shaft and is held in place with a white plastic wedge key. The impeller number is GLM No. 89570.

No. 89470

OEM: 377992
(1958-1968) V4
Fits Lower Gearcases w/
Thru-Cavitation Plate Exhaust
Outside ø: 4.20"
Inside ø: .750"



*No. 89595

KEY - STAINLESS STEEL HALF-MOON
OEM: 308928



* Order Separately

No. 89680

OEM: 777212
(1973-1978) V4, (1976-1978) V6
Fits Mechanical / Hydraulic Shift
Lower Gearcases
Outside ø: 3.500"
Inside ø: .875"



*No. 89595

KEY - STAINLESS STEEL HALF-MOON
OEM: 308928



* Order Separately

No. 89612

OEM: 385072
(1969-1972) V4
Fits Electric / Hydraulic Shift
Lower Gearcases w/
Thru-Prop Exhaust
Outside ø: 3.500"
Inside ø: .750"



*No. 89595

KEY - STAINLESS STEEL HALF-MOON
OEM: 308928



* Order Separately

No. 89570

OEM: 5001593
(1979 & Up) V4/V6/V8
Fits Mechanical Shift
Lower Gearcases
Outside ø: 3.50"
Inside ø: .875"



Impeller includes:

No. 89590

KEY - WHITE PLASTIC WEDGE
OEM: 331107

Impeller also includes:
No. 81160 - O-ring
No. 82129 - O-ring
No. 86660 - Seal

Johnson / Evinrude

WATER PUMP KITS V4/V6/V8

No. 12101

OEM: 395073



Fits (1977-1978) V4 engines with mechanical/hydraulic shift.
Fits (1976-1978) V6 engines with mechanical/hydraulic shift.
Half-moon key impeller.

No. 81160

O-RING
OEM: 310585



No. 82120

O-RING
OEM: 302035

No. 22370

SCREW
OEM: 306643
Kit Contains: 2



No. 12811

PUMP CUP
OEM: 338486

No. 86480

COVER
GROMMET
OEM: 320943



No. 89680

IMPELLER
OEM: 389642

No. 12570

COVER
OEM: 338893



No. 86660

SEAL
OEM: 331353

No. 22360

SCREW
OEM: 302325
Kit Contains: 4



No. 12580

WEAR PLATE
OEM: 338485

No. 86490

WATER TUBE
GROMMET
OEM: 314008



No. 33730

GASKET
OEM: 338484

No. 12430

PUMP HOUSING
W/ SPRAY HOLE
OEM: 435990



No. 86500

SHIFT ROD
GROMMET
OEM: 321008

Water Pump Impeller Kit

No. 12105

OEM: N/A
V4/V6 Before 1978

Kit Contains:

GLM	OEM	ITEM
89680	389642	Impeller
12580	338485	Wear Plate
33730	338484	Gasket
86660	331353	Seal
81160	310585	O-ring



Water Pump Kit w/o Housing

No. 12072

W/O HOUSING
OEM: N/A
V4/V6
Before 1978

Kit Contains:

GLM	OEM	ITEM	GLM	OEM	ITEM
89680	389642	Impeller	81250	322501	O-ring
12811	338486	Pump Cup	22370 (2)	306643	Screw
12580	338485	Wear Plate	22360 (4)	302325	Screw
33730	338484	Gasket	86480	320943	Grommet, Cvr.
86660	331353	Seal	86490	314008	Grommet, Tube
12570	338893	Cover	86500	321008	Grommet, Shift Rod
81160	310585	O-ring			



Water Pump Housing Kit

No. 12103

OEM: 395072
Most V4/V6/V8

Kit Contains:

GLM	OEM	ITEM
12430	435990	Pump Hsg.
12811	338486	Pump Cup
12580	338485	Wear Plate
33730	338484	Gasket
86660	331353	Seal



GLM	OEM	ITEM
22360 (4)	302325	Screw
81250	322501	O-ring

Pump Cup & Plate Assembly

No. 12880

CUP & PLATE ASSY.
OEM: 435027
V4/V6/V8

Kit Contains:

GLM	OEM	ITEM
12811	338486	Pump Cup
12580	338485	Wear Plate



Johnson / Evinrude

WATER PUMP KITS V4/V6/V8

No. 12000

OEM: 5001595



Fits (1979-2006) with V4/V6/V8 engines with 25" and 30" shaft.
Plastic wedge key impeller.

Water Pump Impeller Kit

No. 12106

OEM: N/A
V4/V6/V8 After 1979

Kit Contains:

GLM	OEM	ITEM
89570	435821	Impeller
89590	331107	Key
12580	338485	Wear Plate
33730	338484	Gasket
86660	331353	Seal
81160	310585	O-ring



No. 12828

GUIDE TUBE-LONG
OEM: 338667



No. 82120

O-RING
OEM: 302035

No. 12827

GUIDE TUBE-SHORT
OEM: 338636



No. 12811

PUMP CUP
OEM: 338486

No. 81160

O-RING
OEM: 310585



No. 89570

IMPELLER
OEM: 5001593

No. 86495

GROMMET
OEM: 338601



No. 89590

KEY
OEM: 331107

No. 86480

COVER GROMMET
OEM: 320943

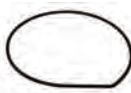


No. 81250

O-RING
OEM: 331188

No. 22370

SCREW
OEM: 306643
Kit Contains: 2



No. 86660

SEAL
OEM: 331353

No. 12570

COVER
OEM: 338893



No. 12580

WEAR PLATE
OEM: 338485

No. 22360

SCREW
OEM: 302325
Kit Contains: 4



No. 33730

GASKET
OEM: 338484

No. 86490

WATER TUBE
GROMMET
OEM: 314008



No. 86500

SHIFT ROD
GROMMET
OEM: 321008

No. 12430

PUMP HOUSING
W/ SPRAY HOLE
OEM: 435990



Water Pump Kit w/o Housing

No. 12104

WITHOUT HOUSING
OEM: N/A
V4/V6/V8
After 1979

Kit Contains:

GLM	OEM	ITEM	GLM	OEM	ITEM
89570	435821	Impeller	81160	310585	O-ring
89590	331107	Key	80100	332584	O-ring
12811	338486	Pump Cup	22370 (2)	306643	Screw
12580	338485	Wear Plate	22360 (4)	302325	Screw
33730	338484	Gasket	86480	320943	Grommet, Cvr.
86660	331353	Seal	86490	314008	Grommet, Tube
12570	338893	Cover	86500	321008	Grommet, Shift Rod
82120	302035	O-ring			



Water Pump Housing Kit

No. 12103

OEM: 395072
Most V4/V6/V8

Kit Contains:

GLM	OEM	ITEM	GLM	OEM	ITEM
12430	435990	Pump Hsg.	22360 (4)	302325	Screw
12811	338486	Pump Cup	81250	322501	O-ring
12580	338485	Wear Plate			
33730	338484	Gasket			
86660	331353	Seal			



Pump Cup & Plate Assembly

No. 12880

CUP & PLATE ASSY.
OEM: 435027
V4/V6/V8

Kit Contains:

GLM	OEM	ITEM
12811	338486	Pump Cup
12580	338485	Wear Plate



Johnson / Evinrude

WATER PUMP KITS V4/V6/V8

No. 12102

OEM: 5001594



Fits (1979-2006) with V4/V6/V8 engines with 20" shaft.
Plastic wedge key impeller.

No. 12181

OEM: 5007556



Fits 115-130 HP (2009 & Up) with V4 engines.
Plastic wedge key impeller.

No. 81160

O-RING
OEM: 310585



No. 12811

PUMP CUP
OEM: 338486

No. 86488

GROMMET
OEM: 353690



No. 82120

O-RING
OEM: 302035

No. 22370

SCREW
OEM: 306643
Kit Contains: 2



No. 89570

IMPELLER
OEM: 5001593

No. 22360

SCREW
OEM: 331979
Kit Contains: 4



No. 86660

PLATE SEAL
OEM: 331353

No. 86480

COVER
GROMMET
OEM: 320943



No. 89590

KEY
OEM: 331107

No. 12399

PUMPHOUSING
OEM: 5007554



No. 89590

KEY
OEM: 331107

No. 12570

COVER
OEM: 338893



No. 81250

O-RING
OEM: 331188

No. 81250

O-RING
OEM: 331188

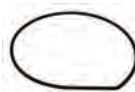


No. 12580

WEAR PLATE
OEM: 338485

No. 22360

SCREW
OEM: 302325
Kit Contains: 4



No. 86660

SEAL
OEM: 331353

No. 12811

PUMPCUP
OEM: 338486



No. 33730

GASKET
OEM: 338484

No. 86490

WATER TUBE
GROMMET
OEM: 314008



No. 12580

WEAR PLATE
OEM: 338485

No. 89570

IMPELLER
OEM: 5001593



No. 12395

PUMP HOUSING
W/OUT SPRAY HOLE
OEM: 435959



No. 33730

GASKET
OEM: 338484

No. 82120

O-RING
OEM: 302035



No. 86500

SHIFT ROD
GROMMET
OEM: 321008

Water Pump Impeller Kit

No. 12106

OEM: N/A
V4/V6/V8 (1979 & Up)

Kit Contains:

GLM	OEM	ITEM
89570	435821	Impeller
89590	331107	Key
12580	338485	Wear Plate
33730	338484	Gasket
86660	331353	Seal
81160	310585	O-ring



Johnson / Evinrude

WATER PUMP IMPELLERS

<p>No. 89490 IMPELLER OEM: 387361</p>  <p>1.5, 2, 4 HP</p>	<p>No. 89580 IMPELLER OEM: 434424</p>  <p>3, 4, 5, 5.5, 6, 7.5 HP</p>	<p>No. 89500 IMPELLER OEM: 389576, 436137</p>  <p>4, 4.5, 5, 6, 7.5, 8 HP</p>	<p>No. 89670 IMPELLER OEM: 775519, 377178</p>  <p>9.5 HP (1964-1973)</p>	<p>No. 89770 IMPELLER OEM: 386084</p>  <p>8, 9.9, 15 HP (1974 & Up)</p>
<p>No. 89650 IMPELLER OEM: 775518</p>  <p>2-Cyl. Crossflow</p>	<p>No. 89750 IMPELLER OEM: 395289 (Includes No. 89593)</p>  <p>2-Cyl. Crossflow</p>	<p>No. 89660 IMPELLER OEM: 777213</p>  <p>2-Cyl. Crossflow</p>	<p>No. 89480 IMPELLER OEM: 775521</p>  <p>2-Cyl. Crossflow</p>	<p>No. 89990 IMPELLER OEM: 390286</p>  <p>2-Cyl. Crossflow</p>
<p>No. 89790 IMPELLER OEM: 437059, 432941 (Includes No. 81250)</p>  <p>2-Cyl. Loopcharged</p>	<p>No. 89690 IMPELLER OEM: 777129, 389589</p>  <p>2-Cyl. Loopcharged</p>	<p>No. 89780 IMPELLER OEM: 777214, 396809 (Includes No. 89593)</p>  <p>2 & 3-Cyl. Loopcharged</p>	<p>No. 89710 IMPELLER OEM: 396725 (Includes No. 89591 & No. 89592)</p>  <p>2 & 3-Cyl. Loopcharged</p>	<p>No. 89940 IMPELLER OEM: 382547</p>  <p>3-Cyl. Loopcharged</p>
<p>No. 89470 IMPELLER OEM: 377992</p>  <p>V4 (1958-1968)</p>	<p>No. 89612 IMPELLER OEM: 385072</p>  <p>V4 (1969-1972)</p>	<p>No. 89680 IMPELLER OEM: 777212</p>  <p>V4/V6 (1973-1978)</p>	<p>No. 89570 IMPELLER OEM: 5001593 (Includes No. 89590, No. 81160, No. 82129 & No. 86660) V4/V6/V8 (1979 & Up)</p> 	<p>No. 89720 IMPELLER OEM: 300583 No. 89730 OEM: 300591</p> 
<p>No. 89594 KEY - PIN OEM: 300611</p>  <p>Stainless Steel</p>	<p>No. 89596 KEY - PIN OEM: 300771</p>  <p>Stainless Steel</p>	<p>No. 89595 KEY - HALF-MOON OEM: 308928</p>  <p>Stainless Steel</p>	<p>No. 89591 KEY - WEDGE OEM: 331901 No. 89593 OEM: 344470 No. 89590 OEM: 331107</p>  <p>Plastic White</p>	<p>No. 89592 KEY - WEDGE OEM: 334897</p>  <p>Plastic Black</p>

Johnson / Evinrude

WATER PUMP WEAR PLATES

No. 12600

WEAR PLATE
OEM: 203132



No. 12555

WEAR PLATE
OEM: 324640



No. 12610

WEAR PLATE
OEM: 318995



8, 9.9, 15 HP

No. 12630

WEAR PLATE
OEM: 328755



2-Cylinder Crossflow, 3-Cyl. Loopcharged w/ Thru-Prop Exhaust

No. 12640

WEAR PLATE
OEM: 329391



1 & 2-Cylinder Crossflow w/ Thru-Cavitation Plate Exhaust

No. 12564

WEAR PLATE
OEM: 325398



40 HP 2-Cylinder Crossflow

No. 12551

WEAR PLATE LARGE HSG.
OEM: 341038



2-Cyl. Loopcharged, 3-Cylinder

No. 12620

WEAR PLATE SMALL HSG.
OEM: 320981



2-Cylinder Loopcharged

No. 12580

WEAR PLATE
OEM: 338485



V4, V6 & V8

Johnson / Evinrude

WATER PUMP CUPS

No. 12818

PUMP CUP
OEM: 324641



4-8 HP

No. 12813

PUMP CUP
OEM: 324097



8, 9.9, 15 HP

No. 12812

PUMP CUP
OEM: 328751



18-35 HP 2-Cylinder Crossflow, 3-Cylinder

No. 12816

PUMP CUP
OEM: 325397



40 HP 2-Cylinder Crossflow

No. 12815

PUMP CUP
OEM: 340619



2-Cyl. Loopcharged, 3-Cylinder

No. 12814

PUMP CUP
OEM: 320775 + 320776



2-Cylinder Loopcharged

No. 12811

PUMP CUP
OEM: 338486



V4, V6 & V8

Johnson / Evinrude

WATER PUMP HOUSINGS		
<p>No. 12436 PUMP HOUSING OEM: 389577</p>  <p>4-8 HP</p>	<p>No. 12460 PUMP HOUSING OEM: 435390</p>  <p>8, 9.9, 15 HP</p>	<p>No. 12470 PUMP HOUSING W/ BRASS BUSHING OEM: 393632</p>  <p>20, 25, 35 HP w/ Thru-Prop Exhaust</p>
<p>No. 12440 PUMP HOUSING OEM: 330560</p>  <p>18, 25, 28 HP w/ Thru-Cavitation Plate Exhaust</p>	<p>No. 12480 PUMP HOUSING OEM: 438544</p>  <p>2-Cylinder Loopcharged</p>	<p>No. 12474 PUMP HOUSING OEM: 390613</p>  <p>40 HP 2-Cylinder Crossflow</p>
<p>No. 12450 PUMP HOUSING OEM: 384087</p>  <p>2-Cylinder Loopcharged</p>	<p>No. 12482 PUMP HOUSING OEM: 438545</p>  <p>2-Cylinder Loopcharged</p>	<p>No. 12400 PUMP HOUSING OEM: 438543</p>  <p>2-Cylinder Loopcharged, 3-Cylinder</p>
<p>No. 12472 PUMP HOUSING OEM: 339720</p>  <p>3-Cylinder</p>	<p>No. 12430 PUMP HOUSING W/ SPRAY HOLE OEM: 435990</p>  <p>V4, V6 & V8 - 25" & 30"</p>	<p>No. 12395 PUMP HOUSING W/O SPRAY HOLE OEM: 435959</p>  <p>V4, V6 & V8 - 20"</p>
<p>No. 12399 PUMPHOUSING OEM: 5007554</p>  <p>115-130 HP, V4 (2009 & Up)</p>		

Johnson / Evinrude

WATER PUMP COMPONENTS

Water Pump Gaskets

No. 34200

IMPELLER HOUSING GASKET
OEM: 309204



Electric Shift

No. 34510

PLATE TO HOUSING GASKET
OEM: 325535



35 HP Water Pump

Grommet

No. 86140

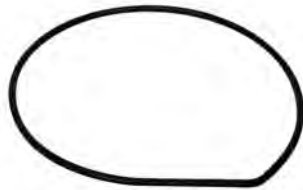
GROMMET
OEM: 305762



Seals

No. 86130

PLATE SEAL
OEM: 321120



No. 86540

PLATE SEAL
OEM: 332000



Screws

No. 22360

SCREW
OEM: 302325
1/4-20 X1



No. 22380

SCREW
OEM: 323626
1/4-20 X 1-7/8



No. 22323

SCREW
OEM: 331979
1/4-20 X1-1/8



No. 22320

SCREW
OEM: 908158
1/4-20 X 1/2



No. 22370

SCREW
OEM: 306643
#10-24 X 1/2



No. 22321

SCREW
OEM: 324334
1/4-20 X 1-1/8



No. 22324

SCREW
OEM: 331980
1/4-20 X 2



No. 22325

SCREW
OEM: 909533
1/4-20 X 1



Johnson / Evinrude

WATER PUMP KITS APPLICATIONS							
Outboard HP	Model Year	Impeller	Wear Plate	Pump Cup	Pump Housing	Service Kit w/o Hsg	Complete Water Pump Kit
1.5 HP - 15 HP							
1.5	1968-70	89490	-	-	-	-	-
2	1971-88	89490	-	-	-	-	-
3	1952-68	89580	12600	-	-	12108	-
3, 4	1991-96	-	-	12818	-	-	-
4	1969-72	89580	12600	-	-	12108	-
4 (90)	1973-80	89490	-	-	-	-	-
4 (110)	1973-82	89580	12600	-	-	12108	-
4 (90)	1981-90	89500	-	12818	-	-	-
4 Deluxe	1985-88	89500	12555	12818	12436	12255	12065
4 Deluxe	1989-96	-	12555	12818	-	-	-
4.5	1980-84	89500	12555	12818	12436	12255	12065
5	1965-68	89580	12600	-	-	12108	-
5	1986-90	89500	12555	12818	12436	12255	12065
5 4-Stroke	1998-	89500	12555	12818	12436	12255	12065
5.5	1956-64	89580	12600	-	-	-	-
6	1965-79	89580	12600	-	-	-	-
6	1984-96	89500	12555	12818	12436	12255	12065
6 4-Stroke	1998-	89500	12555	12818	12436	12255	12065
7.5	1954-58	89580	12600	-	-	12108	-
7.5	1980-83	89500	12555	12818	12436	12255	12065
8	1984-96	89500	12555	12818	12436	12255	12065
8 4-Stroke	1995-	89770	12610	12813	12460	-	12050
9.5	1964-73	89670	-	-	-	-	-
9.9 2-Stroke	1974-96	89770	12610	12813	12460	-	12050
9.9 4-Stroke	1995-01	89770	12610	12813	12460	-	12050
10	1956-63	89650	-	-	-	-	-
15	1953-56	89650	-	-	-	-	-
15 2-Stroke	1974-96	89770	12610	12813	12460	-	12050
15 4-Stroke	1995-01	89770	12610	12813	12460	-	12050
18-40 HP 2-Cylinder Crossflow							
18	1957-73	89650	-	-	-	-	-
18	1997-98	89750	12640	12812	12440	-	12060
20	1966-67	89650	-	-	-	-	-
20 Thru-Prop	1985-98	89750	12630	12812	12470	-	12070
25	1969-78	89650	-	-	-	-	-
25	1969-78	89650	-	-	-	-	-
25	1979-05	89750	12640	12812	12440	-	12060
25 Thru-Prop	1985-05	89750	12640	12812	12470	-	12070
28	1962-64	89480	-	-	-	-	-
28	1986-98	89750	12640	12812	12440	-	12060
30	1956	89480	-	-	-	-	-
33	1965-70	89480	-	-	-	-	-
35	1957-58	89480	-	-	-	-	-
35 w. Therm.	1958-59	89660	-	-	-	-	-
35 Thru-Prop	1980-96	89750	12630	12812	12470	-	12070
40	1960-70	89660	-	-	-	-	-
40	1971-73	89480	-	-	-	-	-
40	1974-76	89990	12564	12816	12474	-	12247
40	1981-87	89990	12564	12816	12474	-	12247

Johnson / Evinrude

WATER PUMP KITS APPLICATIONS

Outboard HP	Model Year	Impeller	Wear Plate	Pump Cup	Pump Housing	Service Kit w/o Hsg	Complete Water Pump Kit
40-60 HP 2-Cylinder Loopcharged / eTEC 40-60 HP							
40 Small Housing	1984-88	89780	12620	12814	12450	-	12210
40 Small Housing	1989-98	89790	12551	12815	12480	-	12245
40 Comm. Small Housing	1993-94	89780	12620	12815	12480	-	12210
40 Large Housing	1995-05	89710	12551	12815	12482	12252	12235
e40 eTEC	2005-11	89710	12551	12815	12482	12252	12235
45 Comm. Small Housing	1986-94	89780	12620	12814	12450	-	12210
45 Comm. Large Housing	1995-05	89710	12551	12815	12482	12252	12235
48 Small Housing	1987-88	89780	12620	12814	12450	-	12210
48 Small Housing	1989-98	89790	12551	12815	12480	-	12245
50 Small Housing	1971-78	89660	12620	12814	12450	-	12232
50 Small Housing	1979-85	89690	12620	12814	12450	-	-
50 Small Housing	1986-88	89780	12620	12814	12450	-	12210
50 Small Housing	1989-98	89790	12551	12815	12480	-	12245
e50 eTEC	2006-11	89710	12551	12815	12482	12252	12235
55 Comm. Small Housing	1986-94	89780	12620	12814	12450	-	12210
55 Large Housing	1995-05	89710	12551	12815	12482	12252	12235
60 Small Housing	1980-85	89690	12620	12814	12450	-	12210
60 Large Housing	1986-88	89710	12551	12815	12400	12252	12240
e60 eTEC	2006-11	89710	12551	12815	12482	12252	12235
3-Cylinder							
25, 35	1995-01	89750	12630	12812	12472	-	12233
55	1968-69	89940	-	-	-	-	-
60	1970-71	89940	-	-	-	-	-
60	1989-01	89710	12551	12815	12400	12252	12246
60 4-stroke	1998-Up	89710	12551	12815	12400	12252	12246
65	1972-73	89940	-	-	-	-	-
65	1979-01	89710	12551	12815	12400	12252	12246
70	1974-78	89940	12551	12815	12400	-	12244
70	1979-94	89710	12551	12815	12400	12252	12246
70 4-stroke	1998-Up	89710	12551	12815	12400	12252	12246
75	1974-78	89940	12551	12815	12400	-	12244
75	1979-88	89710	12551	12815	12400	12252	12246
V4							
All V4	1958-68	89470	-	-	-	-	-
85	1969-72	89612	-	-	-	-	-
85	1973-77	89680	-	-	-	-	-
85 25" Shaft	1977	89680	12580	12811	12430	12072	12101
85	1978	89680	12580	12811	12430	12072	12101
85	1979-80	89570	12580	12811	12430	12104	12102
90	1981-94	89570	12580	12811	12430	12104	12102
90 20" Shaft	1995-03	89570	12580	12811	12430	12104	12102
90 25" Shaft	1995-03	89570	12580	12811	12395	12104	12000
100	1971-72	89612	-	-	-	-	-
100	1979-80	89570	12580	12811	12430	12072	12101
100	1984-97	89570	12580	12811	12430	12104	12102
100 20" Shaft	1998-05	89570	12580	12811	12430	12104	12102
100 25" Shaft	1998-05	89570	12580	12811	12395	12104	12000
105	1998-01	89570	12580	12811	12395	12104	12000
115	1973-77	89680	-	-	-	-	-
115 25" Shaft	1977	89680	12580	12811	12430	12072	12101
115	1978	89680	12580	12811	12430	12072	12101



Johnson / Evinrude

WATER PUMP KITS APPLICATIONS							
Outboard HP	Model Year	Impeller	Wear Plate	Pump Cup	Pump Housing	Service Kit w/o Hsg	Complete Water Pump Kit
V4 Continued							
115	1979-94	89570	12580	12811	12430	12104	12102
115 20" Shaft	1995-06	89570	12580	12811	12430	12104	12102
115 25" Shaft	1995-06	89570	12580	12811	12395	12104	12000
120 20" Shaft	1985-94	89570	12580	12811	12430	12104	12102
120 25" Shaft	1985-94	89570	12580	12811	12395	12104	12000
125	1971-72	89612	-	-	-	-	-
130 20" Shaft	1995-98	89570	12580	12811	12430	12104	12102
130 25" Shaft	1995-98	89570	12580	12811	12395	12104	12000
135	1973-76	89680	-	-	-	-	-
135 20" Shaft	2000-06	89570	12580	12811	12430	12104	12102
135 25" Shaft	2000-06	89570	12580	12811	12395	12104	12000
140	1977-78	89680	12580	12811	12430	12072	12101
140	1979-84	89570	12580	12811	12430	12104	12102
140 20" Shaft	1985-94	89570	12580	12811	12430	12104	12102
140 25" Shaft	1985-94	89570	12580	12811	12395	12104	12000
V6							
150	1978	89680	12580	12811	12430	12072	12101
150	1979-92	89570	12580	12811	12430	12104	12102
150 20" Shaft	1993-06	89570	12580	12811	12430	12104	12102
150 25" Shaft	1993-06	89570	12580	12811	12395	12104	12000
175	1977-78	89680	12580	12811	12430	12072	12101
175	1979-92	89570	12580	12811	12430	12104	12102
175 20" Shaft	1993-06	89570	12580	12811	12430	12104	12102
175 25" Shaft	1993-06	89570	12580	12811	12395	12104	12000
185	1984-92	89570	12580	12811	12430	12104	12102
185 20" Shaft	1993-94	89570	12580	12811	12430	12104	12102
185 25" shaft	1993-94	89570	12580	12811	12395	12104	12000
200	1976-78	89680	12580	12811	12430	12072	12101
200	1979-92	89570	12580	12811	12430	12104	12102
200 20" Shaft	1993-06	89570	12580	12811	12430	12104	12102
200 25" 30"	1993-06	89570	12580	12811	12395	12104	12000
225	1986-92	89570	12580	12811	12430	12104	12102
225 20" Shaft	1993-06	89570	12580	12811	12430	12104	12102
225 25" 30"	1993-06	89570	12580	12811	12395	12104	12000
235	1978	89680	12580	12811	12430	12072	12101
235	1979-85	89570	12580	12811	12430	12104	12102
250 20" Shaft	2006	89570	12580	12811	12430	12104	12102
250 25" 30"	2006	89570	12580	12811	12395	12104	12000
V8							
250	1991-92	89570	12580	12811	12430	12104	12102
250 20" Shaft	1993-98	89570	12580	12811	12430	12104	12102
250 25" 30"	1993-98	89570	12580	12811	12395	12104	12000
275	1985-88	89570	12580	12811	12430	12104	12102
300	1985-92	89570	12580	12811	12430	12104	12102
300 20" Shaft	1993-95	89570	12580	12811	12430	12104	12102
300 25" 30"	1993-95	89570	12580	12811	12395	12104	12000



Section 8

Johnson / Evinrude Prop Hardware, Anodes, Tools

<i>Prop Hardware - Most 2 & 3-Cyl. (1972-Up) - Small Gearcase...</i>	106
<i>Prop Hardware - 2 & 3-Cyl. (1975-Up) - Large Gearcase</i>	106
<i>Prop Hardware - V4 (1973-Up) - Small Gearcase</i>	106
<i>Prop Hardware - V4/V6 "O" Type (1976-1990) - Large Gearcase</i>	107
<i>Prop Hardware - V4/V6/V8 "O" Type (1991-Up) - Large Gearcase</i>	107
<i>Propeller Hardware</i>	108
<i>Propeller Kits & Hardware Applications</i>	108-109
<i>Aluminum Anodes & Anode Kits</i>	110
<i>Aluminum Prop Nut Anode Kits & Replacement Anodes</i>	110
<i>Prop Wrench Kits & Prop Wrenches</i>	111
<i>Marine Service Tools</i>	111-112

Johnson / Evinrude

PROP HARDWARE - MOST 2 & 3-CYL. (1972-UP) - SMALL GEARCASE

(See Application Guide)

No. 22120

COTTER PIN
OEM: 314502



No. 22150

PROP NUT
OEM: 314503



No. 22250

13 SPLINE WASHER
OEM: 315810



No. 22240

THRUST WASHER
OEM: 320305



No. 22340

KIT W/O THRUST WASHER
OEM: 175267



No. 22245

KIT W/ THRUST WASHER
OEM: 386866



PROP HARDWARE - 2 & 3-CYL. (1975-UP) - LARGE GEARCASE

PROP HARDWARE - V4 (1973-UP) - SMALL GEARCASE

No. 22120

COTTER PIN
OEM: 314502



No. 22150

PROP NUT
OEM: 314503



No. 22250

13 SPLINE WASHER
OEM: 315810



No. 22230

THRUST WASHER
OEM: 127084



No. 22340

KIT W/O THRUST WASHER
OEM: 175267



No. 22235

KIT W/ THRUST WASHER
OEM: 5005034



Johnson / Evinrude

PROP HARDWARE - V4/V6 "O" TYPE (1976-1990) - LARGE GEARCASE

No. 22142

COTTER PIN
OEM: 3852056



No. 22185

PROP NUT KIT
OEM: 398042
Comes w/ pin No. 22142



No. 22190

15 SPLINE WASHER
OEM: 320570



No. 22220

THRUST WASHER
OEM: 333592



No. 22200

KIT W/O THRUST WASHER
OEM: 175266



No. 22225

KIT W/ THRUST WASHER
OEM: 434153



PROP HARDWARE - V4/V6/V8 "O" TYPE (1991-UP) - LARGE GEARCASE

No. 22142

COTTER PIN
OEM: 3852056



No. 22185

PROP NUT KIT
OEM: 398042
Comes w/ pin No. 22142



No. 22190

15 SPLINE WASHER
OEM: 320570



No. 22221

THRUST WASHER
OEM: 3852020



No. 22200

KIT W/O THRUST WASHER
OEM: 175266



No. 22186

KIT W/ THRUST WASHER
OEM: N/A



Johnson / Evinrude

PROPELLER HARDWARE

Prop Kits w/o Prop Thrust Washers

No. 22222

OEM: 175269

Kit Contains:

GLM	OEM	ITEM
22255	323942	Spline Washer 13-S
22160	318971	Nut - 7/16" NC 14
22140	328522	Pin



9.9-15 HP

No. 22350

OEM: 175268

For 2-Cyl. Crossflow

Kit Contains:

GLM	OEM	ITEM
22260	323943	Spline Washer 14-S
22170	319891	Nut - 1/2" NC 13
22130	320785	Pin



20-35 HP (1980-05)
Thru-Prop Exhaust

Prop Thrust Washers

No. 22270

OEM: 319890

3/8" Thick
Outside ø 1-3/4"



2-Cyl. Crossflow, 20-35 HP

No. 22240

OEM: 320305

15/32" Thick
Outside ø 2-1/8"



No. 22241

OEM: 318966

1/2" Thick
Outside ø 1-1/2"



9.9-15 HP (1974-1988)

No. 22220

OEM: 333592

17/32" Thick
Outside ø 2-7/8"



"O" Type (1969-1990)

No. 22230

OEM: 127084

19/32" Thick
Outside ø 2-9/16"



No. 22242

OEM: 334590

5/8" Thick
Outside ø 1-1/2"



9.9-15 HP (1989-Up)

No. 22221

OEM: 126870

3/4" Thick
Outside ø 2-7/8"



"O" & "M" Type (1991-Up)

Prop Spline Washers

No. 22255

OEM: 323942

13 Spline
ø 5/8" Shaft



No. 22260

OEM: 323943

14 Spline
ø 13/16" Shaft



No. 22250

OEM: 315810

13 Spline
ø 7/8" Shaft



No. 22190

OEM: 320570

15 Spline
ø 1" Shaft



Prop Nuts

No. 22160

OEM: 318971
7/16" NC 14

No. 22150

OEM: 314503
5/8" NC 11

No. 22170

OEM: 319891
1/2" NC 13

No. 22185

OEM: 398042
3/4" NF 16



Cotter Pins

No. 22100

OEM: 302804

No. 22142

OEM: 306394

No. 22110

OEM: 309955

No. 22120

OEM: 314502

No. 22130

OEM: 320785

No. 22140

OEM: 552906



PROPELLER KITS & HARDWARE APPLICATIONS

Model	Year	Thrust Washer	Spline Washer	Nut	Pin	Kit w/o T. Washer	Kit w/ T. Washer
9.9-15	1974-1988	22241	22255	22160	22140	22222	N/A
9.9-15	1989 & Up	22242	22255	22160	22140	22222	N/A
2-Cyl. Crossflow, 20-35 HP, Thru-Prop Exhaust	1980-2005	22270	22260	22170	22130	22350	-
2-Cyl. Loopcharged, 40-60 HP	1972-1985	22240	22250	22150	22120	22340	22245
2-Cyl. Loopcharged, 40-60 HP, w/ Small Grcs.	1986-1988	22240	22250	22150	22120	22340	22245
2-Cyl. Loopcharged, 40-60 HP, w/ Large Grcs.	1986-1988	22230	22250	22150	22120	22340	22235
2-Cyl. Loopcharged, 40-50 HP	1989-2005	22240	22250	22150	22120	22340	22245
2-Cyl. Loopcharged, 55 HP	1989-2005	22230	22250	22150	22120	22340	22235
3-Cyl., 65 + 70 HP	1972-1974	22240	22250	22150	22120	22340	22245
3-Cyl., 65, 70, 75 HP w/ Small Gearcase	1975-1988	22240	22250	22150	22120	22340	22245
3-Cyl., 65, 70, 75 HP w/ Large Gearcase	1975-1988	22230	22250	22150	22120	22340	22235
3-Cyl., 60, 65, 70 HP	1989-2001	22230	22250	22150	22120	22340	22235
3-Cyl., 25, 30, 35 HP	1996-2001	-	22260	22170	22130	-	-
V4, ø 7/8" 13-Spline Prop Shaft	1973 & Up	22230	22250	22150	22120	22340	22235
V4, ø 1" 15-Spline Prop Shaft	1984-1990	22220	22190	22185	22142	22200	22225
V4, ø 1" 15-Spline Prop Shaft	1991 & Up	22221	22190	22185	22142	22200	22186
V6/V8	1976-1990	22220	22190	22185	22142	22200	22225
V6/V8	1991 & Up	22221	22190	22185	22142	22200	22186

Johnson / Evinrude

PROPELLER KITS & HARDWARE APPLICATIONS

HP	Year	Washer	Spacer	Nut	Pin	Kit
9.9/15	1974-78	22241	22255	22160	22140	22222
9.9/15	1989 & Up	22242	22255	22160	22140	22222
20	1985 & Up	22270	22260	22170	22130	22350
25	1985 & Up	22270	22260	22170	22130	22350
30	1985 & Up	22270	22260	22170	22130	22350
35	1976 & Up	22270	22260	22170	22130	22350
40	1984 & Up	22240	22250	22150	22120	22340
45	1985 & Up	22240	22250	22150	22120	22340
48	1987 & Up	22240	22250	22150	22120	22340
50	1972-74	22230	22250	22150	22120	22340
50	1975-76	22240	22250	22150	22120	22340
50	1979	22240	22250	22150	22120	22340
50	1981	22240	22250	22150	22120	22340
50	1982 & Up	22240	22250	22150	22120	22340
55	1977-79	22230	22250	22150	22120	22340
55	1981	22240	22250	22150	22120	22340
55	1983	22230	22250	22150	22120	22340
55	1985 & Up	22230	22250	22150	22120	22340
60	1971	22230	22250	22150	22120	22340
60	1980 & Up	22240	22250	22150	22120	22340
65	1972-73	22230	22250	22150	22120	22340
65 Comm.	1984 & Up	22230	22250	22150	22120	22340
70 (15")	1979-85	22240	22250	22150	22120	22340
70 (20")	1974-94	22230	22250	22150	22120	22340
75 (15")	1975-88	22240	22250	22150	22120	22340
75 (20")	1975-87	22230	22250	22150	22120	22340
85	1971-80	22230	22250	22150	22120	22340
88	1987-94	22230	22250	22150	22120	22340
90	1981-94	22230	22250	22150	22120	22340
100	1971-72	22230	22250	22150	22120	22340
100	1979-94	22230	22250	22150	22120	22340
100 Comm.	1984 & Up	22220	22190	22180/22185	22141	22200
110	1987-94	22230	22250	22150	22120	22340
115	1973-94	22230	22250	22150	22120	22340
120	1985	22220	22190	22180/22185	22141	22200
120	1986-94	22230	22250	22150	22120	22340
125	1971-72	22230	22250	22150	22120	22340
135	1973-76	22230	22250	22150	22120	22340
140	1977-84	22230	22250	22150	22120	22340
140	1985	22220	22190	22180/22185	22141	22200
140	1986-94	22230	22250	22150	22120	22340
150	1978-90	22220	22190	22180/22185	22141	22200
150	1991 & Up	22221	22190	22180/22185	22141	22200
155 Comm.	1984-90	22220	22190	22180/22185	22141	22200
155 Comm.	1991 & Up	22221	22190	22180/22185	22141	22200
175	1977-90	22220	22190	22180/22185	22141	22200
175	1991 & Up	22221	22190	22180/22185	22141	22200
185	1984-90	22220	22190	22180/22185	22141	22200
185	1991 & Up	22221	22190	22180/22185	22141	22200
200	1986-90	22220	22190	22180/22185	22141	22200
200	1991 & Up	22221	22190	22180/22185	22141	22200
225	1986-90	22220	22190	22180/22185	22141	22200
225	1991 & Up	22221	22190	22180/22185	22141	22200
235	1976-90	22220	22190	22180/22185	22141	22200
275	1985-90	22220	22190	22180/22185	22141	22200
275	1991 & Up	22221	22190	22180/22185	22141	22200
3.6 L	1985-90	22220	22190	22180/22185	22141	22200
300	1991 & Up	22221	22190	22180/22185	22141	22200
1.6 Seadrive	1982-90	22230	22250	22150	22120	22340
2.5 L Seadrive	1984-90	22220	22190	22180/22185	22141	22200
2.6 L Seadrive	1982-90	22220	22190	22180/22185	22141	22200

Johnson / Evinrude

ALUMINUM ANODES AND ANODE KITS

<p>No. 12761 ALUMINUM ANODE OEM: 432397</p>  <p>NEW</p> <p>4, 6, 8 HP (1985-1990)</p>	<p>No. 12762 ALUMINUM ANODE OEM: 338635</p>  <p>NEW</p> <p>4-Stroke 9.9-15 HP (1995-2001)</p>	<p>No. 12697 ALUMINUM ANODE KIT OEM: 434029</p>  <p>NEW</p> <p>20-35 HP (1991-Up)</p>	
<p>No. 12737 ALUMINUM ANODE OEM: 431708</p>  <p>40 HP-V8 (1988-1991)</p>	<p>No. 12742 ALUMINUM ANODE OEM: 398873</p>  <p>40-50 HP (1989-Up)</p>	<p>No. 12763 ALUMINUM ANODE OEM: 5031705</p>  <p>NEW</p> <p>4-Stroke 40-50 HP (2004 & Up)</p>	
<p>No. 12695 ALUMINUM ANODE KIT OEM: 392461</p>  <p>NEW</p> <p>50-75 HP (1982-1984) except 55/56 comm.</p>	<p>No. 12738 ALUMINUM ANODE OEM: 392462</p>  <p>55-75 HP (1985-2001)</p>	<p>No. 12857 ALUMINUM ANODE OEM: 5030907</p>  <p>NEW</p> <p>4-Stroke 60, 70, 90, 115, 140 HP (2004 & Up)</p>	
<p>No. 12683 ALUMINUM ANODE OEM: 397768</p>  <p>155 HP (1987-1990), 250 HP (1991-1998)</p>	<p>No. 12696 ALUMINUM ANODE KIT OEM: 392160</p>  <p>NEW</p> <p>V4 & V6 (1982-1986)</p>	<p>No. 12733 ALUMINUM ANODE OEM: 392133</p>  <p>V4 & V6 (1982-1986)</p>	
<p>No. 12776 ALUMINUM ANODE OEM: 436745</p>  <p>V4 & V6 (1982-Up)</p>	<p>No. 12739 ALUMINUM ANODE OEM: 433580</p>  <p>3-Cyl.-V6 (1991-Up)</p>	<p>No. 12736 ALUMINUM ANODE OEM: 433458</p>  <p>Midsection for 3-Cyl.-V8 (1985-Up)</p>	<p>No. 12730 ALUMINUM ANODE OEM: 173029</p>  <p>All Outboards</p>

ALUMINUM PROP NUT ANODE KITS AND REPLACEMENT ANODES

Prop Nut Anode Kits			Aluminum	Replacement Anodes			Aluminum
GLM No.	Shaft Size	Thread Size		GLM No.	For Kit No.	Anode Size	
12727 NEW	3/4"	1/2" NC 13		12728 NEW	12727	ø 1-1/4" x 1-1/2"L	
12706	7/8"	5/8" NC 11		12705	12706	ø 1-5/8" x 2"L	
12718 NEW	1-1/8"	3/4" NF 16		12707	12718	ø 2" x 2-5/8"L	

GLM's Aluminum Anodes to Replace Zinc Anodes Coming Soon! Check Website for Product ETA's.



Johnson / Evinrude

PROP WRENCHES

No. 90061

PROP WRENCH
OEM: 91-859046M4

1-1/16"

Color Coded:
Blue



With Built-In
Tab Bender



No. 90062

PROP WRENCH
OEM: 91-859046M3

15/16"

Color Coded:
Red



No. 90063

PROP WRENCH
OEM: 91-859046M2

13/16"

Color Coded:
Yellow



No. 90064

PROP WRENCH
OEM: 91-859046M1

9/16"

Color Coded:
Purple



MARINE SERVICE TOOLS

No. 90150

UNIVERSAL PULLER PLATE
OEM: 91-37241



Pulls gears & bearings.

No. 90095

PROP & BEARING CARRIER PULLER
OEM: N/A



TOES IN
For prop & old
style bearing
carrier.



TOES OUT
For new style
bearing carrier.



Capacity:
5 Tons (min)

For All Style Bearing Carrier and Most Prop.

Johnson / Evinrude

MARINE SERVICE TOOLS

The GLM Shimming Tool No. 90330 makes rebuilding a lower gearcase so simple anyone can do it!

No. 90330

SHIMMING TOOL
OEM: N/A

For use with OMC Stringer and Cobra V6 Outboards with "O" Type or "M" Type Gearcases.

Not for use with Magnum Gearcases.



Unlike the factory shimming tool, it requires no mathematical calculations to determine pinion height/shim thickness. The measurement for shim thickness is determined with a simple feeler gauge!

When rebuilding a Johnson / Evinrude outboard gearcase, the correct pinion gear height must be adjusted with shims of varying thickness. The amount of shims needed is determined with a shim tool.

The drive shaft assembly and pinion gear are installed into the GLM shimming tool. A shim finder is mounted on the top of the pinion gear (small magnets installed in the shim finder hold it in place). The gap between the bottom of the shim finder and the base of the tool is determined with a feeler gauge. When the drive shaft and pinion gear are installed into the gearcase, shims equaling the thickness of the feeler gauge measurement are installed between the upper thrust bearing washer and the upper bearing carrier.

No. 90340

PINION NUT ADAPTOR KIT
OEM: N/A



GLM design to hold 5/8" pinion nut when removing pinion gear and drive shaft on OMC sterndrive and O/B comes with No. 90350

No. 90350

DRIVE SHAFT ADAPTOR
OEM: 314438



Section 9

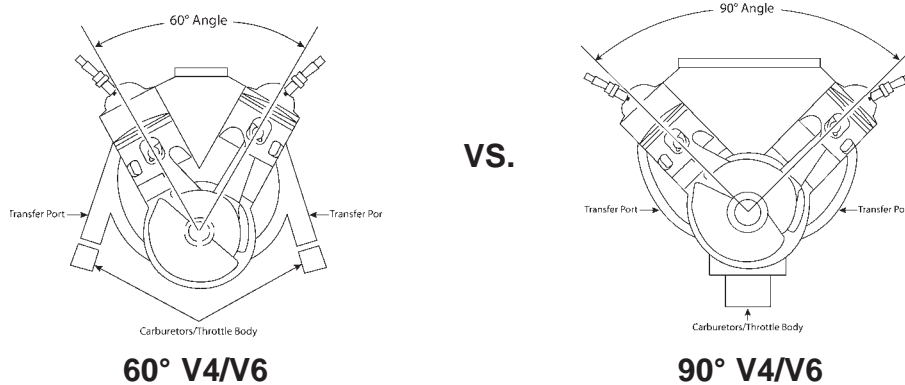
Johnson / Evinrude Pistons

<i>Engine Designs (60° vs. 90°) V4/V6</i>	114
<i>GLM Exclusive Marine Pistons</i>	114
<i>Piston Designs (Crossflow, Loopcharged & Four-Stroke)</i>	115
<i>2-Cylinder Crossflow Pistons</i>	116-117
<i>2-Cylinder Loopcharged Pistons</i>	118
<i>3-Cylinder Loopcharged Pistons</i>	119-121
<i>V4 90° & V6 90° Crossflow Pistons</i>	122
<i>V6 90° Crossflow Pistons</i>	123
<i>V4 60° & V6 60° Loopcharged Pistons</i>	124-125
<i>V4 90° / V6 90° / V8 Loopcharged Pistons</i>	126-127
<i>V6 90° Loopcharged Pistons</i>	128
<i>2-Cylinder Four-Stroke Pistons</i>	129
<i>Piston Kits and Rings Applications</i>	130-131

Johnson / Evinrude

ENGINE DESIGNS (60° vs. 90°) V4/V6

Johnson / Evinrude outboards were the first to break away from the inline cylinder engine concept. In 1958 they introduced a V4 outboard to the marine industry. This outboard had the cylinder walls configured into a 90 degree V shape. In 1976 two more cylinders were added and the 90 degree V6 was born. As casting techniques improved a more compact 60 degree V6 engine was introduced in 1991 followed by the 60 degree V4 in 1995. Other than a narrower profile the difference between an older 90 degree engine and a newer 60 degree engine is the location of the carburetors/throttle bodies. A 90 degree V4/V6 engine will have the carburetors/throttle bodies located in the front of the crankcase directly over the crankshaft. A 60 degree V4/V6 engine will have the carburetors/throttle bodies located on the side of the crankcase, directly over the transfer ports.



GLM'S EXCLUSIVE MARINE PISTONS

- Fully Machined Hypereutectic Pistons
- Featuring a Hard Anodizing Coating on Top
- Resisting Temperatures up to 1560°F
- Hardness: HV280-400
- Pistons are T-6 Heat Treated

OEM CAST vs. FORGED

(99% of OEM Pistons are Cast)

	CASTING	FORGING
Pros	Low expansion rate Lighter weight Longer life Lower costs	Greater Strength
Cons	Less strength but compensated by strong mold process	Heavier weight High expansion rate Shorter life Higher costs
Verdict	For Recreational For General use	High Performance Purposes

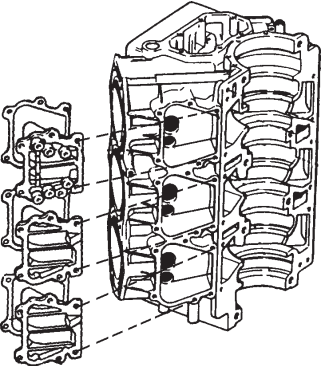
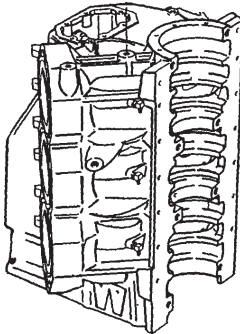




GLM PISTONS ARE 100% CAST



Johnson / Evinrude

PISTON DESIGNS

There are three basic piston designs used in Johnson / Evinrude outboard engines; Crossflow, Loopcharged and Four-Stroke.

Crossflow	Loopcharged	Four-Stroke
<p>The oldest design, and the one used on all Johnson / Evinrude engines until 1968, is the crossflow piston. As the air / fuel mixture travels through the transfer port and into the cylinder, a deflector, cast into the top of the piston, directs the air / fuel mixture towards the combustion chamber and spark plug tip for maximum efficiency. All engines with deflectors on top of the pistons will be crossflow engines. External inspection of a crossflow engine will reveal removable transfer port covers on the side of the cylinders.</p>	<p>In 1968 Johnson / Evinrude introduced an outboard engine with loopcharged pistons. This engine was the 55 HP 3-Cylinder. A loopcharged engine has a transfer port cast into the cylinder wall in such a way that it will direct the air / fuel mixture towards the combustion chamber and spark plug tip without the need for a piston deflector. All engines with a flat top or a slight dome on the top of the pistons will be loopcharged. Loopcharged engines will not have removable transfer port covers on the side of the cylinders.</p>	<p>Four-stroke / four-cycle engines are fairly new to the marine industry. They have become the engine design preferred by most marine engine manufacturers to meet government mandated exhaust emission standards. Oil stored in the crankcase of these engines is splashed onto the cylinder walls for piston and ring lubrication. The pistons are equipped with oil control rings to scrap excess oil off of the cylinder walls. Four-stroke / four-cycle pistons are easily identified by a three piece oil control ring in the bottom ring position. The pistons almost always have a flat top or a dished top and never have needle bearings between the wrist pin and connecting rod (like two-stroke engines).</p>
		
<p>Removeable Transfer Port Cover</p>	<p>Non-Removeable Transfer Port Cover</p>	
		
<p>Piston with Deflector Top</p>	<p>Piston with Flat Top</p>	<p>Piston with Flat Top and Oil Ring in the Bottom Position</p>

Johnson / Evinrude

2-CYLINDER CROSSFLOW PISTONS

Crossflow Pistons for 2-Cylinder 9.9 HP & 15 HP (1981-1992) Johnson / Evinrude Outboards

These engines use \varnothing 2.1875" pistons

9.9 HP	1981-1992
15 HP	1981-1992



Pistons for above engines

<u>GLM Piston No.</u>	<u>Size</u>	<u>OEM Piston No.</u>
24410	\varnothing 2.1875	5006670
24420	\varnothing 2.1875 +.020	N/A
24430	\varnothing 2.1875 +.030	5006662

all pistons come with rings, pin and retainers

Rings for above \varnothing 2.1875" pistons

<u>GLM Ring No.</u>	<u>Size</u>	<u>OEM Ring No.</u>
23710	\varnothing 2.1875	386279
23720	\varnothing 2.1875 +.020	N/A
23730	\varnothing 2.1875 +.030	386280

all rings come 2 to a set

Johnson / Evinrude

2-CYLINDER CROSSFLOW PISTONS

Crossflow Pistons for 2-Cylinder 20 HP, 25 HP, 30 HP, 35 HP (1981-1994)
Johnson / Evinrude Outboards

These engines use \varnothing 3.000" pistons

20 HP	1981-1983
25 HP	1986-1994
30 HP	1984-1994



Pistons for above engines

<u>GLM Piston No.</u>	<u>Size</u>	<u>OEM Piston No.</u>
23910	\varnothing 3.000	5006657
23920	\varnothing 3.000 +.020	N/A
23930	\varnothing 3.000 +.030	5006664

all pistons come with rings, pin and retainers

Rings for above \varnothing 3.000" pistons

<u>GLM Ring No.</u>	<u>Size</u>	<u>OEM Ring No.</u>
24240	\varnothing 3.000	396377
24260	\varnothing 3.000 +.020	N/A
24280	\varnothing 3.000 +.030	396379

all rings come 2 to a set

Johnson / Evinrude

2-CYLINDER LOOPCHARGED PISTONS

Loopcharged Pistons for 2-Cylinder 40 HP - 60 HP (1980-1994) Johnson / Evinrude Outboards

These engines use \varnothing 3.1875" pistons

40 HP	1984-1994	50 HP	1981-1994
45 HP	1994	55 HP	1994
48 HP	1987-1994	60 HP	1980-1985



Pistons for above engines

<u>GLM Piston No.</u>	<u>Size</u>	<u>OEM Piston No.</u>
24110	\varnothing 3.1875	5006655
24112	\varnothing 3.1875 +.020	N/A
24130	\varnothing 3.1875 +.030	5006665

all pistons come with rings, pin and retainers

Rings for above \varnothing 3.625" pistons

<u>GLM Ring No.</u>	<u>Size</u>	<u>OEM Ring No.</u>
24310	\varnothing 3.1875	391170
24320	\varnothing 3.1875 +.020	N/A
24330	\varnothing 3.1875 +.030	391416

all rings come 2 to a set

Johnson / Evinrude

3-CYLINDER LOOPCHARGED PISTONS

Loopcharged Pistons for 3-Cylinder 60 HP, 65 HP, 70 HP, 75 HP (1976-1988)
Johnson / Evinrude Outboards

These engines use \varnothing 3.000" pistons

60 HP	1986-1988
65 HP	1984-1986
70 HP	1976-1985
75 HP	1976-1985



Pistons for above engines

<u>GLM Piston No.</u>	<u>Size</u>	<u>OEM Piston No.</u>
24040	\varnothing 3.000	5006751
24060	\varnothing 3.000 +.020	N/A
24080	\varnothing 3.000 +.030	5006666

all pistons come with rings, pin and retainers

Rings for above \varnothing 3.000" pistons

<u>GLM Ring No.</u>	<u>Size</u>	<u>OEM Ring No.</u>
24240	\varnothing 3.000	396377
24260	\varnothing 3.000 +.020	396378
24280	\varnothing 3.000 +.030	396379

all rings come 2 to a set

Johnson / Evinrude

3-CYLINDER LOOPCHARGED PISTONS

Loopcharged Pistons for 3-Cylinder 60 HP, 65 HP, 70 HP (1986-1994) Johnson / Evinrude Outboards

These engines use \varnothing 3.1875" pistons with
Keystone (triangular) rings

60 HP	1989-1994
65 HP	1987-1994
70 HP	1986-1994



Pistons for above engines

<u>GLM Piston No.</u>	<u>Size</u>	<u>OEM Piston No.</u>
23770	\varnothing 3.1875	5006701
23780	\varnothing 3.1875 +.020	N/A
23790	\varnothing 3.1875 +.030	5006702

all pistons come with rings, pin and retainers

Rings for above \varnothing 3.1875" pistons

Top ring is 2.3 mm thick Bottom ring is 1.6 mm thick

<u>GLM Ring No.</u>	<u>Size</u>	<u>OEM Ring No.</u>
24310	\varnothing 3.1875	391170
24320	\varnothing 3.1875 +.020	N/A
24330	\varnothing 3.1875 +.030	391416

all rings come 2 to a set



Johnson / Evinrude

3-CYLINDER LOOPCHARGED PISTONS

Loopcharged Pistons for 3-Cylinder 60 HP, 65 HP, 70 HP (1994-2001)
Johnson / Evinrude Outboards

These engines use \varnothing 3.1875" pistons with
traditional (rectangular) rings

60 HP	1994-2001
65 HP	1994-2001
70 HP	1994-2001



Pistons for above engines

<u>GLM Piston No.</u>	<u>Size</u>	<u>OEM Piston No.</u>
23740	\varnothing 3.1875	5006694
23750	\varnothing 3.1875 +.020	5006707
23760	\varnothing 3.1875 +.030	5006695

all pistons come with rings, pin and retainers



Rings for above \varnothing 3.1875" pistons

Rings are 2 mm thick

<u>GLM Ring No.</u>	<u>Size</u>	<u>OEM Ring No.</u>
24540	\varnothing 3.1875	436972
24550	\varnothing 3.1875 +.020	N/A
24560	\varnothing 3.1875 +.030	436973

all rings come 2 to a set



Johnson / Evinrude

V4 90° & V6 90° CROSSFLOW PISTONS

Crossflow Pistons for 90 Degree V4 & V6 Johnson / Evinrude Outboards

These engines use ø 3.500" pistons

85 HP	90 Degree V4	1979-1980	150 HP	90 Degree V6	1978-1991
88 HP	90 Degree V4	1987-1993	175 HP	90 Degree V6	1977-1985
90 HP	90 Degree V4	1981-1993	185 HP	90 Degree V6	1984-1985
100 HP	90 Degree V4	1984-1994	200 HP	90 Degree V6	1976-1983
110 HP	90 Degree V4	1986-1990	235 HP	90 Degree V6	1978-1979
115 HP	90 Degree V4	1974-Thru			
135 HP	90 Degree V4	1974-1976			
140 HP	90 Degree V4	1977-1984			



Pistons for above engines

<u>GLM Piston No.</u>	<u>Size</u>	<u>OEM Piston No.</u>
24010	ø 3.500	5006658
24020	ø 3.500 +.020	5006703
24030	ø 3.500 +.030	5006669
24034	ø 3.500 +.040	5006704

all pistons come with rings, pin and retainers

Rings for above ø 3.500" pistons

<u>GLM Ring No.</u>	<u>Size</u>	<u>OEM Ring No.</u>
24210	ø 3.500	394930
24220	ø 3.500 +.020	439001
24230	ø 3.500 +.030	396504
24300	ø 3.500 +.040	439002

all rings come 2 to a set



Johnson / Evinrude

V6 90° CROSSFLOW PISTONS

Crossflow Pistons for 90 Degree V6 Johnson / Evinrude Outboards

These engines use \varnothing 3.625" pistons

175 HP	90 Degree V6	1986-1991
235 HP	90 Degree V6	1980-1985



Pistons for above engines

<u>GLM Piston No.</u>	<u>Size</u>	<u>OEM Piston No.</u>
23940	\varnothing 3.625	5006656
23950	\varnothing 3.625 +.020	N/A
23960	\varnothing 3.625 +.030	5006668

all pistons come with rings, pin and retainers

Rings for above \varnothing 3.625" pistons

<u>GLM Ring No.</u>	<u>Size</u>	<u>OEM Ring No.</u>
24570	\varnothing 3.625	390509
24580	\varnothing 3.625 +.020	N/A
24590	\varnothing 3.625 +.030	390510

all rings come 2 to a set

Johnson / Evinrude

V4 60° & V6 60° LOOPCHARGED PISTONS

Loopcharged Pistons for 60 Degree V4 & V6 Johnson / Evinrude Outboards with Carburetors

These engines use ø 3.600" pistons

90 HP	60 Degree V4	1995-newer with Carburetors
115 HP	60 Degree V4	1995-newer with Carburetors
150 HP	60 Degree V6	1991-newer with Carburetors
175 HP	60 Degree V6	1991-newer with Carburetors



Pistons for above engines

<u>GLM Piston No.</u>		<u>Size</u>	<u>OEM Piston No.</u>	
Port	Starboard		Port	Starboard
14600	14610	ø 3.600	5006687, 5006681	5006688, 5006682
14620	14630	ø 3.600 +.020	5006708	5006715
14640	14650	ø 3.600 +.030	5006714, 5006679	5006716, 5006680

all pistons come with rings, pin and retainers

Rings for above ø 3.600" pistons

<u>GLM Ring No.</u>	<u>Size</u>	<u>OEM Ring No.</u>
14170	ø 3.600	436353
14180	ø 3.600 +.020	439029
14190	ø 3.600 +.030	436354

all rings come 2 to a set



Johnson / Evinrude

V4 60° & V6 60° LOOPCHARGED PISTONS

Loopcharged Pistons for 60 Degree V4 & V6 Johnson / Evinrude Outboards with Fuel Injection

These engines use \varnothing 3.600" with a dish in the piston top

75 HP	60 Degree V4	2000-newer with Fuel Injection
90 HP	60 Degree V4	2000-newer with Fuel Injection
115 HP	60 Degree V4	2000-newer with Fuel Injection
150 HP	60 Degree V6	2000-newer with Fuel Injection
175 HP	60 Degree V6	2000-newer with Fuel Injection



Pistons for above engines

GLM Piston No.		Size	OEM Piston No.	
Port	Starboard		Port	Starboard
24440	24450	\varnothing 3.600	5006727	5006728
24460	24470	\varnothing 3.600 +.020		
24480	24490	\varnothing 3.600 +.030	5006729	5006730

all pistons come with rings, pin and retainers

Rings for above \varnothing 3.600" pistons

GLM Ring No.	Size	OEM Ring No.
14170	\varnothing 3.600	436353
14180	\varnothing 3.600 +.020	439029
14190	\varnothing 3.600 +.030	436354

all rings come 2 to a set

Johnson / Evinrude

V4 90° / V6 90° / V8 LOOPCHARGED PISTONS

Loopcharged Pistons for 90 Degree V4/V6/V8 Johnson / Evinrude Outboards

These 1985-1987 engines use \varnothing 3.500" pistons

120 HP	90 Degree V4	1985-1987
140 HP	90 Degree V4	1985-1987
200 HP	90 Degree V6	1986-1987
225 HP	90 Degree V6	1986-1987
275 HP	90 Degree V8	1985-1987
300 HP	90 Degree V8	1985-1987



Pistons for above engines

GLM Piston No.		Size	OEM Piston No.	
Port	Starboard		Port	Starboard
23800	23810	\varnothing 3.500	5006659	N/A
23820	23830	\varnothing 3.500 +.020	N/A	N/A
23840	23850	\varnothing 3.500 +.030	5006660	N/A

all pistons come with rings, pin and retainers

Rings for above \varnothing 3.500" pistons

GLM Ring No.	Size	OEM Ring No.
24210	\varnothing 3.500	394930
24220	\varnothing 3.500 +.020	439001
24230	\varnothing 3.500 +.030	396504

all rings come 2 to a set



Johnson / Evinrude

V4 90° / V6 90° / V8 LOOPCHARGED PISTONS

Loopcharged Pistons for 90 Degree V4/V6/V8 Johnson / Evinrude Outboards

These 1988 and newer engines use \varnothing 3.6875" pistons

120 HP	90 Degree V4	1988-1994
140 HP	90 Degree V4	1988-1994
200 HP	90 Degree V6	1988-1992
225 HP	90 Degree V6	1988-1992
250 HP	90 Degree V8	1991-1998
300 HP	90 Degree V8	1988-1995



Pistons for above engines

GLM Piston No.		Size	OEM Piston No.	
Port	Starboard		Port	Starboard
24050	24100	\varnothing 3.685	5006675, 5006671	5006676, 5006672
24070	24120	\varnothing 3.685 +.020	N/A	N/A
24090	24140	\varnothing 3.685 +.030	5006673, 5006677	5006674, 5006678

all pistons come with rings, pin and retainers

Rings for above \varnothing 3.6875" pistons

GLM Ring No.	Size	OEM Ring No.
24250	\varnothing 3.685	431870
24270	\varnothing 3.685 +.020	N/A
24290	\varnothing 3.685 +.030	431844

all rings come 2 to a set

Johnson / Evinrude

V6 90° LOOPCHARGED PISTONS

Loopcharged Pistons for 90 Degree V6 Johnson / Evinrude Outboards

These 1993 and newer engines use \varnothing 3.6875" pistons
with finger ports

200 HP	90 Degree V6	1993-2001 with carburetors
225 HP	90 Degree V6	1993-2001 with carburetors



Pistons for above engines

GLM Piston No.		Size	OEM Piston No.	
Port	Starboard		Port	Starboard
24150	24160	\varnothing 3.6875	5006691	5006690
24170	24180	\varnothing 3.6875 +.020	5006706	5006712
24190	24200	\varnothing 3.6875 +.030	5006711	5006713

all pistons come with rings, pin and retainers

Rings for above \varnothing 3.6875" pistons

GLM Ring No.	Size	OEM Ring No.
24340	\varnothing 3.6875	436254
24350	\varnothing 3.6875 +.020	439538
24360	\varnothing 3.6875 +.030	436251

all rings come 2 to a set



Johnson / Evinrude

2-CYLINDER FOUR-STROKE PISTONS

Four-Stroke Pistons for 2-Cylinder 9.9 HP and 15 HP (1995-2002) Johnson Outboards

These engines use \varnothing 65 mm pistons

9.9 HP	1995-2002
15 HP	1995-2002



Pistons for above engines

<u>GLM Piston No.</u>	<u>Size</u>	<u>OEM Piston No.</u>
24500	\varnothing 65 mm	437776
24520	\varnothing 65 mm +.030	437777

all pistons come with rings, pin and retainers

Rings for above \varnothing 65 mm pistons

<u>GLM Ring No.</u>	<u>Size</u>	<u>OEM Ring No.</u>
24370	\varnothing 65 mm	436289
24390	\varnothing 65 mm +.030	436290

all rings come 5 to a set

Johnson / Evinrude

PISTON KITS AND RINGS APPLICATIONS

HP	Year	Standard		.020 Oversize		.030 Oversize		.040 Oversize	
		Piston	Ring	Piston	Ring	Piston	Ring	Piston	Ring
2-Cylinder									
2-Cyl., 9.9, 15 (ø 2.1875)	1981-92	24410	23710	24420	23720	24430	23730	N/A	N/A
9.9, 15 (4 Cycle)	1995-02	24500	24370	N/A	N/A	24520	24390	N/A	N/A
20, 25, 3.0	81-83/86-94	23910	24240	23920	24260	23930	24280	N/A	N/A
30, 3.0	1984-94	23910	24240	23920	24260	23930	24280	N/A	N/A
20, 35	1976-80	N/A	N/A	N/A	N/A	N/A	N/A	N/A	N/A
2-Cylinder Loopcharged									
40 (ø 3.1875)	1984-94	24110	24310	24112	24320	24130	24330	N/A	N/A
48	1987-94	24110	24310	24112	24320	24130	24330	N/A	N/A
50	1981-94	24110	24310	24112	24320	24130	24330	N/A	N/A
55	1980-93	24110	24310	24112	24320	24130	24330	N/A	N/A
45, 55	1994	24110	24310	24112	24320	24130	24330	N/A	N/A
60	1980-85	24110	24310	24112	24320	24130	24330	N/A	N/A
3-Cylinder Loopcharged									
50 (ø 3.1875)	1995-98	23740	24540	23750	24550	23760	24560	N/A	N/A
60, 3.0	1986-88	24040	24240	24060	24260	24080	24280	N/A	N/A
60, 65, 70 (ø 3.1875)	1986-94	23770	24310	23780	24320	23790	24330	N/A	N/A
60, 70 (ø 3.1875)	1994-Thru	23740	24540	23750	24550	23760	24560	N/A	N/A
65, 3.0	1984-86	24040	24240	24060	24260	24080	24280	N/A	N/A
70, 3.0	1976-85	24040	24240	24060	24260	24080	24280	N/A	N/A
75, 3.0	1976-85	24040	24240	24060	24260	24080	24280	N/A	N/A
V4 60° Loopcharged									
75, 90, 115, Fuel Inj. V4 60°	2000-Thru	24440 PORT	14170	24460	14180	24480	14190	N/A	N/A
		24450 STBD	14170	24470	14180	24490	14190	N/A	N/A
90, 115, Carburetors V4 60°	1995-Thru	14600 PORT	14170	14620	14180	14640	14190	N/A	N/A
		14610 STBD	14170	14630	14180	14650	14190	N/A	N/A
V4 90° Crossflow									
85 Crossflow	1979-80	24010	24210	24020	24220	24030	24230	24034	24300
88 Crossflow	1987-98	24010	24210	24020	24220	24030	24230	24034	24300
90 Crossflow	1981-98	24010	24210	24020	24220	24030	24230	24034	24300
100 Crossflow	1979-80	24010	24210	24020	24220	24030	24230	24034	24300
100 Crossflow Comm.	1984-Thru	24010	24210	24020	24220	24030	24230	24034	24300
110 Crossflow	1986-88	24010	24210	24020	24220	24030	24230	24034	24300
115 Crossflow	1974-98	24010	24210	24020	24220	24030	24230	24034	24300
135 Crossflow	1974-76	24010	24210	24020	24220	24030	24230	24034	24300
140 Crossflow	1977-84	24010	24210	24020	24220	24030	24230	24034	24300



Johnson / Evinrude

PISTON KITS AND RINGS APPLICATIONS (CONTINUED)

HP	Year	Standard		.020 Oversize		.030 Oversize		.040 Oversize	
		Piston	Ring	Piston	Ring	Piston	Ring	Piston	Ring
V4 90° Loopcharged									
120, 140 Loopcharged	1985-87	23800 PORT	24210	23820	24220	23840	24230	N/A	N/A
		23810 STBD	24210	23830	24220	23850	24230	N/A	N/A
120, 130, 140 Loopcharged	1988-94	24050 PORT	24250	24070	24270	24090	24290	N/A	N/A
		24100 STBD	24250	24120	24270	24140	24290	N/A	N/A
V6 90° Crossflow									
150 Crossflow	1978-83	24010	24210	24020	24220	24030	24230	24034	24300
150 Crossflow	1984-91	24010	24210	24020	24220	24030	24230	24034	24300
155 Comm. Crossflow	1985-87	24010	24210	24020	24220	24220	24230	N/A	N/A
175 Crossflow	1977-83	24010	24210	24020	24220	24030	24230	24034	24300
175 Crossflow	1984-85	24010	24210	24020	24220	24220	24230	N/A	N/A
175 Crossflow	1986-91	23940	24570	23950	24580	23960	24590	N/A	N/A
185 Crossflow	1985	24010	24210	24020	24220	24220	24230	N/A	N/A
200 Crossflow	1976-83	24010	24210	24020	24220	24030	24230	24034	24300
235 Crossflow	1978-79	24010	24210	24020	24220	24030	24230	24034	24300
235 Crossflow	1980-85	23940	24570	23950	24580	23960	24590	N/A	N/A
V6 60° Loopcharged									
150, 175 Carburetors V6 60°	1991-Thru	14600 PORT	14170	14620	14180	14640	14190	N/A	N/A
		14610 STBD	14170	14630	14180	14650	14190	N/A	N/A
150, 175 Fuel Inj. V6 60°	2000-Thru	24440 PORT	14170	24460	14180	24480	14190	N/A	N/A
		24450 STBD	14170	24470	14180	24490	14190	N/A	N/A
V6 90° Loopcharged									
200-225 Loopcharged V6 90°	1985-87	23800 PORT	24210	23820	24220	23840	24230	N/A	N/A
		23810 STBD	24210	23830	24220	23850	24230	N/A	N/A
200-225 Loopcharged V6 90°	1988-92	24050 PORT	24250	24070	24270	24090	24290	N/A	N/A
		24100 STBD	24250	24120	24270	24140	24290	N/A	N/A
200-225 Loopcharged V6 90°	1993-01	24150 PORT	24340	24170	24350	24190	24360	N/A	N/A
		24160 STBD	24340	24180	24350	24200	24360	N/A	N/A
V8 Loopcharged									
250 Loopcharged V8	1991-98	24050 PORT	24250	24070	24270	24090	24290	N/A	N/A
		24100 STBD	24250	24120	24270	24140	24290	N/A	N/A
300 Loopcharged V8	1988-95	24050 PORT	24250	24070	24270	24090	24290	N/A	N/A
		24100 STBD	24250	24120	24270	24140	24290	N/A	N/A
275-300 Loopcharged V8	1985-87	23800 PORT	24210	23820	24220	23840	24230	N/A	N/A
		23810 STBD	24210	23830	24220	23850	24230	N/A	N/A



Section 10

Johnson / Evinrude Powerhead Bearings & Seals

<i>Powerhead Bearings</i>	134-135
<i>Main Bearings</i>	134
<i>Center Bearings</i>	134
<i>Center Split Sleeve</i>	134
<i>Center Bearing Kits</i>	134
<i>Connecting Rod Bearings - Small End</i>	135
<i>Connecting Rod Bearings - Big End</i>	135
<i>Bearing Applications</i>	136-137
<i>Crankshaft Seals Applications</i>	138

Johnson / Evinrude

POWERHEAD BEARINGS

Main Bearings

No. 22840

OEM: 395401

Metal Cage



ø .8125 Journal Size

9.9-15 HP (1974-95)
9.9-15 HP (1974-83)

No. 22920

OEM: 390900



Most Early & Late Model 45-60 HP
2-Cyl. and 3-Cyl. Models

No. 22930

OEM: 398529



Many Late Model 45-60 HP
2-Cyl. and 3-Cyl. Models

No. 21860

OEM: 377139



3-Cyl. Lower Crankshaft
(1968-94)

Center Bearings

No. 22800

OEM: 378252

Metal Cage



ø 1.375 Journal Size

40C (1974-Thru), 45-60 HP 2-Cyl., (1971-Thru),
3-Cyl. All, V4 (1962-78)

No. 22810

OEM: 387041

Metal Cage



ø 2.1875 Journal Size

V4 Crossflow (1979-Thru), V6 Crossflow (1976-Thru)
All V4-V6 60° Models

Center Split Sleeve

No. 22700

OEM: 310433



40C (1974-Thru), 45-60 HP 2-Cyl., (1971-Thru),
3-Cyl. All, V4 (1962-78)

No. 22710

OEM: 320499



V4 Crossflow (1979-Thru), V6 Crossflow (1976-Thru)
All V4-V6 60° Models

Center Bearing Kits

No. 22755

OEM: N/A

NEW

Kit Contains:

GLM	OEM	ITEM
22800	378252	Main Bearing
22700	310433	Center Split Sleeve

ø 1.375
Journal Size

40C (1974-Thru), 45-60 HP 2-Cyl., (1971-Thru),
3-Cyl. All, V4 (1962-78)



No. 22855

OEM: N/A

NEW

Kit Contains:

GLM	OEM	ITEM
22810	387041	Main Bearing
22710	320499	Center Split Sleeve

ø 2.1875
Journal Size

V4 Crossflow (1979-Thru), V6 Crossflow (1976-Thru)
All V4-V6 60° Models



Johnson / Evinrude

POWERHEAD BEARINGS

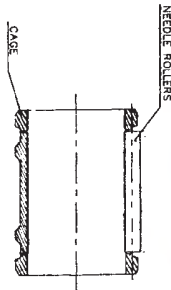
Connecting Rod Bearings - Small End

No. 16240

OEM: 378251

GLM DESIGN!
HEAVY DUTY CAGE!

Meet ISO
3030 Standard



25, 40, 50, 65 & 85 HP (1972-Thru)

No. 16220

OEM: 395627



20-35 HP (1981-95), 45-60 2-Cyl. (1977-95)
3-Cyl. (1976-Thru), V4 Crossflow (1973-Thru)
V6 Crossflow (1976-Thru), All 60° V4/V6 Models

No. 16230

OEM: 434844



V4/V6/V8
90° Loopcharged Models (1985-Up)

Connecting Rod Bearings - Big End

No. 22840

OEM: 395401

Metal Cage



ø .8125 Journal Size

9.9-15 HP (1974-95), 9.9-15 HP (1974-83)

No. 16200

OEM: 437088

Metal Cage



ø 1.1825 Journal Size - 30mm

20-35 HP (1976-95), 46-60 HP 2-Cyl. (1971-94),
3-Cyl. (1968-93), V4 (1961-73)

No. 22500

REPLACEMENT
BEARINGS FOR CAGE
OEM: 387139, 387142



No. 22820

OEM: 387787

Metal Cage



ø 1.375 Journal Size

V4 Crossflow (1979-Thru), V6 Crossflow (1976-Thru)
All V4/V6 60° Models

No. 22500

OEM: 387139, 387142
Replacement Bearings
For Cage



No. 22850

OEM: 396041

Metal Cage



ø 1.500 Journal Size

V4/V6/V8
90° Loopcharged Models (1985-95)

Johnson / Evinrude

BEARING APPLICATIONS

HP	Year	Main Bearing	Center Bearing	Center Split Sleeve Bearing	Center Bearing Kit	Connecting Rod Bearing Small End	Connecting Rod Bearing Big End
9.9	1974-83	-	22840	-	-	-	22840
9.9	1984-97	-	-	-	-	-	22840
10	1981	-	22840	-	-	-	22840
10 Comm.	1989-91	-	-	-	-	-	22840
10 Comm.	1994	-	-	-	-	-	22840
14	1981	-	22840	-	-	-	22840
14 Comm.	1989-91	-	-	-	-	-	22840
15	1974-83	-	22840	-	-	-	22840
15	1984-97	-	-	-	-	-	22840
15 Comm.	1994	-	-	-	-	-	22840
18	1960-68	-	-	-	-	-	-
18	1970-73	-	-	-	-	16240	-
18 Jet	1996-97	-	-	-	-	16220	22840
20	1981-84	-	-	-	-	16220	22840
20	1985-97	-	-	-	-	16220	16200
25	1970-76	-	-	-	-	16240	-
25	1977	-	-	-	-	16240	16200
25	1978-80	-	-	-	-	16240	16200
25	1981-84	-	-	-	-	16220	16200
25	1985-97	-	-	-	-	16220	16200
25 Comm.	1982-84	-	-	-	-	16220	16200
25 Comm.	1985-97	-	-	-	-	16220	16200
28	1962-64	-	-	-	-	-	-
28	1987-97	-	-	-	-	16220	16200
30	1984	-	-	-	-	16220	16200
30	1985-97	-	-	-	-	16220	16200
33	1965-69	-	-	-	-	-	-
33	1970	-	-	-	-	16240	16200
35	1976-80	-	-	-	-	16240	16200
35	1981-84	-	-	-	-	16220	16200
35	1985-97	-	-	-	-	16220	16200
40	1961-70	-	-	-	-	-	-
40	1971-73	-	-	-	-	16240	16200
40	1974-76	-	22800	22700	22755	16240	16200
40	1983	-	22800	22700	22755	16240	16200
40	1984-86	22920	22800	22700	22755	16220	16200
40	1987-97	22930	22800	22700	22755	16220	16200
40 Comm.	1982-83	-	22800	22700	22755	16240	16200
40 Comm.	1984-85	22920	22800	22700	22755	16240	16200
40 Comm.	1989-90	22930	22800	22700	22755	16240	16200
40 Comm.	1994	22930	22800	22700	22755	16220	16200
40 Comm.	1995-00	22930	22800	22700	22755	16220	-
45 Comm.	1987-94	22920	22800	22700	22755	16220	16200
45 Comm.	1995-97	22930	22800	22700	22755	16220	-
45 SS	1987-90	22920	22800	22700	22755	16220	16200
48	1987	22920	22800	22700	22755	16220	16200
48	1988-96	22930	22800	22700	22755	16220	16200
50	1979-83	22920	22800	22700	22755	16220	16200
50	1984-86	22920	22800	22700	22755	16220	16200
50	1987-00	22930	22800	22700	22755	16220	16200
50	1995-00	22930	22800	22700	22755	16220	-
55	1968-69	-	22800	22700	22755	16240	16200
55	1976-81	22920	22800	22700	22755	16220	16200
55 Comm.	1982	22920	22800	22700	22755	16220	16200
55 Comm.	1983-86	22920	22800	22700	22755	16220	16200
55 Comm.	1987-94	22930	22800	22700	22755	16220	16200
55 Comm.	1995-00	22930	22800	22700	22755	16220	-
60	1964-01 / 1970-71	-	22800	22700	22755	16240	16200
60	1980-83	22920	22800	22700	22755	16220	16200
60	1984-85	22920	22800	22700	22755	16220	16200
60	1986-90	22920	22800	22700	22755	16220	16200
60	1991-93	22930	22800	22700	22755	16220	16200
60	1994-01	22930	22800	22700	22755	16220	16200
SST-69	1989-90	22920	22800	22700	22755	16220	-
65	1968	-	22800	22700	22755	16240	16200
65	1972-73	22920	22800	22700	22755	16240	16200



Johnson / Evinrude

BEARING APPLICATIONS

HP	Year	Main Bearing	Center Bearing	Center Split Sleeve Bearing	Center Bearing Kit	Connecting Rod Bearing Small End	Connecting Rod Bearing Big End
65 Comm.	1984	22920	22800	22700	22755	16220	16200
65 Comm.	1985-90	22920	22800	22700	22755	16220	16200
65 Comm.	1991-93	22930	22800	22700	22755	16220	16200
65 Comm.	1994-01	22930	22800	22700	22755	16220	-
70	1974-75	22920	22800	22700	22755	16240	16200
70	1976-84	22920	22800	22700	22755	16220	16200
70	1985-90	22920	22800	22700	22755	16220	16200
70	1991-93	22930	22800	22700	22755	16220	16200
70	1994-01	22930	22800	22700	22755	16220	-
75	1960-65	-	22800	22700	22755	16240	16200
75	1975	22920	22800	22700	22755	16240	16200
75	1976-84	22920	22800	22700	22755	16220	16200
75	1985-88	22920	22800	22700	22755	16220	16200
80	1966-67	-	22800	22700	22755	16240	16200
80 Jet	1992-98	-	22810	22710	22855	16220	-
85	1968-72	-	22800	22700	22755	16240	16200
85	1973	-	22800	22700	22755	16220	16200
85	1974-78	-	22800	22700	22755	16220	22820
85	1979-80	-	22810	22710	22855	16220	22820
85	1991-95	-	22810	22710	22855	16220	22820
88	1987-96	-	22810	22710	22855	16220	22820
90	1981-03	-	22810	22710	22855	16220	22820
90	1995-03	-	22810	22710	22855	16220	22820
90 Jet	1994-95	-	22810	22710	22855	16220	22820
100	1966-68	-	22800	22700	22755	16240	16200
100	1971-72	-	22800	22700	22755	16240	16200
100	1979-80	-	22810	22710	22855	16220	22820
100	1990-94	-	22810	22710	22855	16220	22820
100 Comm.	1984-05	-	22810	22710	22855	16220	22820
110	1986-89	-	22810	22710	22855	16220	22820
112	1994-96	-	22810	22710	22855	16220	22820
115	1969-70	-	22800	22700	22755	16240	16200
115	1973	-	22800	22700	22755	16220	16200
115	1974-78	-	22800	22700	22755	16220	22820
115	1979-85	-	22810	22710	22855	16220	22820
115	1990-06	-	22810	22710	22855	16220	22820
115	1995-06	-	22810	22710	22855	22820	22820
115 Jet	1994-06	-	22810	22710	22855	16220	22820
120	1985-94	-	22810	22710	22855	16230	22850
125	1971-72	-	22800	22700	22755	16240	16200
125 Comm.	1989-95	-	22810	22710	22855	16230	22850
125 ESX	1991-94	-	22810	22710	22855	16230	22850
130	1994-00	-	22810	22710	22855	16230	22850
135	1973	-	22800	22700	22755	16220	16200
135	1974-76	-	22800	22700	22755	16220	22820
140	1977-78	-	22800	22700	22755	16220	22820
140	1979-84	-	22810	22710	22855	16220	22820
140	1985-94	-	22810	22710	22855	16230	22850
150	1978-91	-	22810	22710	22855	16220	22820
150	1991-06	-	22810	-	-	16220	22820
150 Comm.	1993-95	-	22810	-	-	16220	22820
155 Comm.	1984-92	-	22810	22710	22855	16220	22820
175	1977-91	-	22810	22710	22855	16220	22820
175	1991-06	-	22810	-	-	16220	22820
185	1984-85	-	22810	22710	22855	16220	22820
185	1990-94	-	22810	22710	22855	16230	22850
200	1976-83	-	22810	22710	22855	16220	22820
200	1986-06	-	22810	22710	22855	16230	22850
200 Comm.	1990, 1994	-	22810	22710	22855	16230	22850
225	1986-06	-	22810	22710	22855	16230	22850
235	1978-85	-	22810	22710	22855	16220	22820
250	1991-95, 1997	-	22810	22710	22855	16230	22850
275	1985-88	-	22810	22710	22855	16230	22850
3.6L	1985-87	-	22810	22710	22855	16230	22850
300	1988-95	-	22810	22710	22855	16230	22850

Johnson / Evinrude

CRANKSHAFT SEALS APPLICATIONS

HP	Year	Upper Crankcase	Qty. Req.	Lower Crankcase	Qty. Req.	HP	Year	Upper Crankcase	Qty. Req.	Lower Crankcase	Qty. Req.
9.9	1974-1983	-	-	86760	1	65 (3-Cyl.)	1972-1973	86770	1	86030	1
9.9	1984-1995	-	-	86760 / 86430	1	65 C	1984-1985	86770	1	86030	1
10	1981	-	-	86760	-	65 C	1986-1989	86770	1	86030	1
10	1989	-	-	86760 / 86430	1	70 (Large)	1974-1985	86770	1	86030	1
14	1988-1990	-	-	86760 / 86430	1	70 (Large)	1986-1995	86770	1	-	-
15	1974-1983	-	-	87670	1	70 (Small)	1977-1985	86770	1	-	-
15	1984-1995	-	-	86760 / 86430	1	75 (Large)	1975-1984	86770	1	-	-
18	1957	86060	1	-	-	75 (Large)	1986-1987	86770	1	-	-
18	1958-1973	86380	1	-	-	75 (Small)	1975-1984	86770	1	86030	1
25	1969-1976	86380	1	-	-	85	1969-1970	86440	1	86030	1
40	1960-1961	86380	1	-	-	85	1971-1972	86440	1	86030	1
40	1974-1976	86770	1	86030	1	85	1973-1980	86440	2	86030	1
40 C	1981-1986	86770	1	86030	2	88	1987-1994	86440	2	-	-
40	1984-1985	86770	1	86030	1	90	1981-1983	86440	2	86030	1
40 (AR, AE, AT)	1988	86770	1	-	-	90	1984-1994	86250	1	-	-
40	1986-1989	86770	1	-	-	90 Seadrive	1985-1990	86440	2	86030	1
45 C	1985	86770	1	-	-	100	1971-1972	86440	1	86030	1
45 C	1986	86770	1	-	-	100	1979-1980	86440	2	86030	1
45 C	1987	86770	1	-	-	100 C	1984-1990	86440	2	-	-
45 C	1988-1994	86770	1	-	-	110	1986-1988	86440	2	86030	1
45 C	1995	86770	1	-	-	115	1969-1970	86440	1	86030	1
48	1988-1995	86770	1	86270 (Inner)	1	115	1973-1983	86440	1	86030	1
50	1971-1974	86770	1	86030	1	115	1984-1985	86440	2	86030	1
50	1975	86770	1	86030	1	115	1990-1994	86440	2	-	-
50	1979	86770	1	86030	1	120	1985	86440	2	86470	2
50	1980	86770	1	86030	1	120	1986-1988	86440	2	86470	2
50/60 (Pull Start)	1981-1983	86770	1	86030	1	120	1989	86440	2	86470	2
50/60 (Electric)	1981-1983	86770	1	86030	1	120	1990-1994	86440	2	86470	2
50/60	1984-1985	86770	1	86030	1	125	1971-1972	86440	1	86030	1
50/60 (Small)	1986-1987	86770	1	86030	1	125 C	1989	86440	2	86470	1
50/60 (Large)	1986-1987	86770	1	86030	1	125 C (ESX)	1989	86250	1	86470	1
50/60	1988-1989	86770	1	86030	1	135	1973-1976	86440	2	86030	1
50	1990-1995	86770	1	86270 (Inner)	1	140	1977-1983	86440	2	86030	1
55	1968-1969	86770	1	86030	1	140	1984	86440	2	86030	1
55	1976-1977	86770	1	86030	1	140	1985	86440	2	86470	2
55	1978	86770	1	86030	1	140	1986-1994	86440	2	86470	2
55	1979-1983	86770	1	86030	1	140 TX	1989	86440	2	86470	2
55 (Electric)	1980-1983	86770	1	86030	1	150	1978-1983	86440	2	86470	2
55 C	1984	86770	1	86030	1	150	1984	86440	2	-	-
55 C	1985	86770	1	86030	1	155 C	1984-1985	86440	2	86030	1
55 C	1986	86770	1	-	-	155 C	1986-1990	86440	2	-	-
55 C	1987-1994	86770	1	-	-	175	1977-1985	86440	2	86030	1
55 C	1995	86770	1	-	-	175	1986-1990	86440	2	-	-
60	1970	86770	1	86030	1	185	1984-1985	86440	2	86030	1
60 (3-Cyl.)	1971	86770	1	86030	1	185	1990	86440	2	86470	1
60 (Pull Start)	1980-1983	86770	1	86030	1	200	1976-1983	86440	2	86030	1
60 (Electric)	1980-1983	86770	1	86030	1	200	1984-1985	86440	2	-	-
60	1970	86770	1	86030	1	200, 225	1986-1990	86440	2	86470	2
60 SST	1989	86770	1	86030	1	235	1978-1983	86440	2	86030	1
60 SST	1990	86770	1	-	-	235	1984-1985	86440	2	86030	1
60 (3-Cyl.)	1987-1995	86770	1	-	-	275	1985-1988	86440	2	86470	2
65 (Manual)	1968	86770	1	-	-	3.6L, 300	1985-1990	86440	2	86470	2



Section 11

Johnson / Evinrude Thermostats

<i>Thermostat Kits</i>	140
<i>2-Cyl. 25/35 HP Thermostat Assembly (1996-2001)</i>	141
<i>2 & 3-Cyl. & V4 Loopcharged Thermostat Assembly (1992-2000)</i>	141
<i>V4 Crossflow Thermostat Assembly</i>	141
<i>V6 Crossflow Thermostat Assembly</i>	142
<i>Thermostats</i>	142
<i>Thermostat Covers & O-ring</i>	142
<i>Thermostat & Valve Springs</i>	143
<i>Thermostat Housing Components</i>	143
<i>Thermostat Gaskets</i>	144
<i>Thermostat Cover Gaskets</i>	144

Johnson / Evinrude

THERMOSTAT KITS

143° F (61° C)

No. 13450

OEM: N/A

Kit Contains:

GLM	OEM	ITEM
13080	396987	Thermostat
34630	332108	Gasket
34260	313416	Gasket



3-Cyl.

143°

No. 13270

OEM: N/A

Kit Contains:

GLM	OEM	ITEM
13010 (2)	434841	Thermostat
46170 (2)	318395	Valve
46150 (2)	317245	Spring
86481 (2)	321692	Grommet
33650 (2)	332369	Gasket
34440 (2)	321932	Gasket



V4 Crossflow

143°

No. 13350

OEM: N/A

Kit Contains:

GLM	OEM	ITEM
13010	434841	Thermostat
30610	310058	Gasket



90° V4/V6, 6-55 HP

143°

No. 13500

OEM: N/A

Kit Contains:

GLM	OEM	ITEM
13720	338632	Therm.Cover
81250	331188	O-ring
13826	351145	Spring
33070	339044	Gasket
13010	5005440	Thermostat



E40-E60 HP (eTEC)

143°

No. 13330

OEM: 435597

Kit Contains:

GLM	OEM	ITEM
13720	338632	Therm.Cover
81250	331188	O-ring
11058	337067	Spring
13130	435491	Thermostat



60° V4/V6

143°

No. 13290

OEM: N/A

Kit Contains:

GLM	OEM	ITEM
13720	338632	Therm.Cover
81250	331188	O-ring
11058	337067	Spring
13130	435491	Thermostat
13251	343105	Sleeve



60° V4/V6

143°

No. 13280

OEM: N/A

Kit Contains:

GLM	OEM	ITEM
13010	434841	Thermostat
30610	310058	Seal
33600	321184	Gasket
46150	317245	Spring
46100	320880	Valve Seat
46120	321222	Valve Diaphragm
46160	321220	Spring Retainer
46180	321027	Valve



V6 Crossflow

143°

133° F (56° C)

No. 13310

OEM: N/A

Kit Contains:

GLM	OEM	ITEM
13730	332944	Therm.Cover
81250	331188	O-ring
11058	337067	Spring
13110	437090	Thermostat
33070	339044	Gasket



90° V6 Offshore Models

133°

No. 13260

OEM: N/A

Kit Contains:

GLM	OEM	ITEM
13730	332944	Therm.Cover
81250	331188	O-ring
11058	337067	Spring
13110	437090	Thermostat
33070	339044	Gasket
13251	343105	Sleeve



V6 Offshore Models

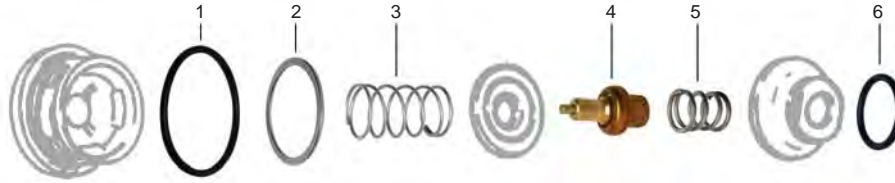
133°



Johnson / Evinrude

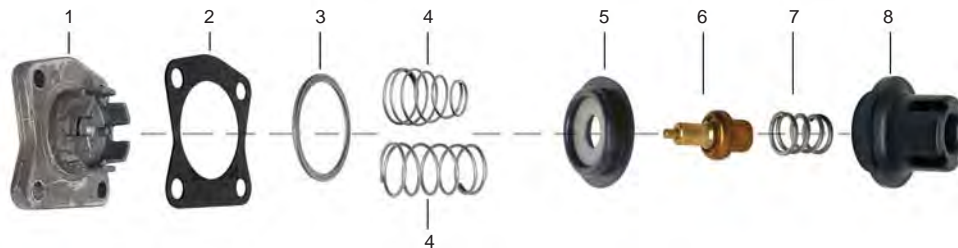
THERMOSTAT ASSEMBLIES

2-Cylinder 25 & 35 HP (1996-2001)



Ref. No.	GLM No.	OEM No.	Item	Ref. No.	GLM No.	OEM No.	Item
1	81290	308458	O-ring	4	13150	436195	Thermostat
2	21658	336185	Washer	5	11038	336179	Spring
3	11041	336211	Spring	6	81170	301967	O-ring

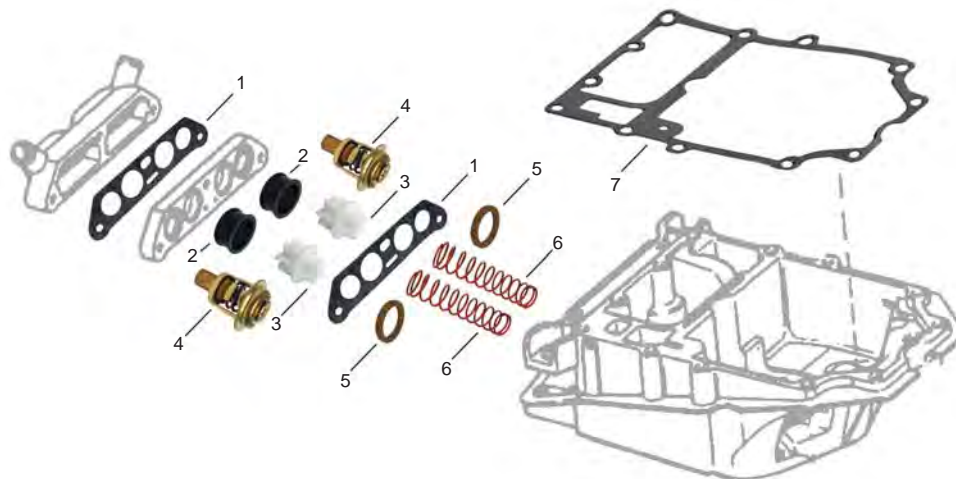
2-Cylinder, 3-Cylinder & V4 Loopcharged (1992-2000)



Ref. No.	GLM No.	OEM No.	Item	Ref. No.	GLM No.	OEM No.	Item
1	13240	343141	Cover	4	11044	343020	Spring V4
2	35440	329830	Gasket	4	11053	343977	Spring 40-70 HP (1986-01)
3	21658	336185	Washer	5	46132	435957	Diaphragm
* 4	11041	336211	Spring 60-70 HP (1993) & V4	6	13150	436195	Thermostat
4	11042	342421	Spring 40-70 HP (1995-96) & V4	7	11038	336179	Spring
4	11043	343115	Spring 40-70 HP (1997-98)	8	13570	336178	Therm. Sleeve

* Use Spring No. 11041 with Thermostat Cover No. 339207

V4 Crossflow

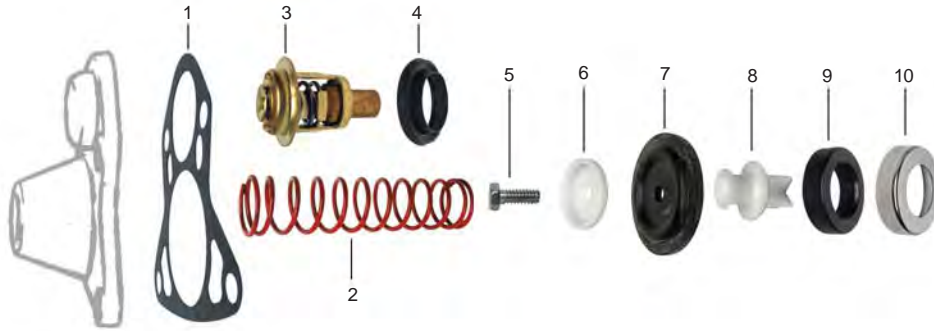


Ref. No.	GLM No.	OEM No.	Item	Ref. No.	GLM No.	OEM No.	Item
1	33650	332369	Gasket	5	34440	321932	Gasket
2	86481	321692	Grommet	6	46150	317245	Spring
3	46170	318395	Valve	7	34880	318373	Gasket (1973-77)
4	13010	5005440	Thermostat	7	33640	342513	Gasket (1978-97)

Johnson / Evinrude

THERMOSTAT ASSEMBLIES

V6 Crossflow



Ref. No.	GLM No.	OEM No.	Item	Ref. No.	GLM No.	OEM No.	Item
1	33600	321184	Gasket	6	46160	321220	Spring Retainer
2	46150	317245	Spring	7	46140	321221	Diaphragm
3	13010	5005440	Thermostat	8	46180	321027	Valve
4	30610	310058	Gasket	9	46100	320880	Valve Seat
5	22370	306643	Screw	10	46120	321222	Valve Cup

THERMOSTATS

<p>No. 13080 143° OEM: 396987</p>  <p>3-Cyl. (1985 & before)</p>	<p>No. 13010 143° OEM: 434841, 5005440</p>  <p>6-55 HP, E40-E60HP, V4, V6 Crossflow</p>	<p>No. 13130 143° OEM: 435491</p>  <p>60° V4 90-115HP (1995-up) 60° V6 150-175HP (1991-up)</p>	<p>No. 13170 143° OEM: 434137</p>  <p>3-Cyl. (1986-91) V4 Loopcharged & V8</p>
<p>No. 13150 143° OEM: 436195</p>  <p>9.9,15,40,48, 50 HP 3-Cyl., V4</p>	<p>No. 13190 143° VERNATHERM OEM: 394411</p>  <p>65, 85, 100, 115, 135 HP (1971-1990)</p>	<p>No. 13110 133° OEM: 437090 Lower Flow</p>  <p>90° V6 Offshore Models Stainless Steel</p>	<p>No. 13180 133° OEM: 5001036 Higher Flow</p>  <p>90° V6 200-250 Ficht</p>

THERMOSTAT COVERS & O-RING

<p>No. 13240 OEM: 343141</p>  <p>50-70 HP (1986-up)</p>	<p>No. 13730 OEM: 332944</p>  <p>2-Cyl. Loopcharged (1997) V6 Offshore Models</p>	<p>No. 13720 OEM: 338632</p>  <p>60° V4, V6</p>
---	---	---

Johnson / Evinrude













THERMOSTAT & VALVE SPRINGS					
No. 11038 OEM: 336179 	No. 11041 OEM: 336211 	No. 11042 OEM: 342421 	No. 11043 OEM: 343115 	No. 13826  OEM: 351145 	
No. 11044 OEM: 343020 	No. 11045 OEM: 337067 	No. 11053 OEM: 343977 	No. 11054 OEM: 333858 	No. 11058 OEM: 338174 	No. 46150 OEM: 317245 
THERMOSTAT HOUSING COMPONENTS					
No. 46110 VALVE CUP OEM: 330273  V4/V6 Loopcharged	No. 46120 VALVE CUP OEM: 321222  V6 Crossflow	No. 46132 VALVE DIAPHRAGM OEM: 435957  2-Cyl., 3-Cyl. V4 Loopcharged	No. 46130 VALVE DIAPHRAGM OEM: 394408  V4/V6 Loopcharged	No. 46140 VALVE DIAPHRAGM OEM: 321221  V6 Crossflow	
No. 46100 VALVE SEAT OEM: 320880  V6 Crossflow	No. 46170 VALVE OEM: 318395  V4 Crossflow	No. 46180 VALVE OEM: 321027  V6 Crossflow	No. 46160 SPRING RETAINER OEM: 321220  V6 Crossflow		
No. 86481 GROMMET OEM: 321692  V4 Crossflow	No. 13251 THERMOSTAT SLEEVE OEM: 343105 	No. 13570 THERMOSTAT SLEEVE OEM: 336178  2-Cyl., 3-Cyl. & V4 Loopcharged	No. 13580 THERMOSTAT SLEEVE OEM: 337533  90° V6 Loopcharged		
No. 21658 WASHER OEM: 336185  2-Cyl., 3-Cyl. V4 Loopcharged	No. 10563 ELBOW OEM: 126776 For 5/16 Hose  60-70 HP (1988 & Up)	No. 10561 ELBOW OEM: 321886 For 1/4 Hose  9.9-15 (1978-95), 20-35 HP (1978-80) 3-Cyl., V4 (1978 & Up), V6 (1978-92) 40-60 2-Cyl. (1978-90), (1978-91)	No. 10562 ELBOW OEM: 331894 For 3/8 Hose  V6 (1987-90) Loopcharged with Power Steering V8 (1986-91) w/ Pwr. Steer.		

Johnson / Evinrude

THERMOSTAT GASKETS

<p>No. 34130 RUBBER GROMMET OEM: 323582</p>  <p>2-Cyl. Crossflow 9.9-25 HP Thermostat</p>	<p>No. 30610 RUBBER GROMMET OEM: 310058</p>  <p>2-Cyl. Crossflow 90° V6 Crossflow Thermostat</p>	<p>No. 34110 RUBBER OEM: 329319</p>  <p>2-Cyl. Crossflow 8-30 HP Thermostat</p>	<p>No. 34260 CORK OEM: 313416</p>  <p>3-Cyl. Thermostat</p>
<p>No. 36590 RUBBER OEM: 332130</p>  <p>3-Cyl. Thermostat</p>	<p>No. 33070 RUBBER OEM: 339044</p>  <p>60° V4, V6 Thermostat</p>	<p>No. 34440 CORK OEM: 321932</p>  <p>90° V4 Crossflow Thermostat</p>	<p>No. 86213 POP OFF SEAT OEM: 335981</p> 

THERMOSTAT COVER GASKETS

<p>No. 35410 OEM: 329076</p>  <p>6-8 HP</p>	<p>No. 86215 OEM: 336947</p>  <p>5, 6, 8, 10, 15 HP (1991-2001)</p>	<p>No. 33290 OEM: 308328</p>  <p>2-Cyl. Crossflow</p>	<p>No. 34000 OEM: 311145</p>  <p>2-Cyl. Crossflow</p>
<p>No. 33250 OEM: 305196</p>  <p>2-Cyl. Crossflow</p>	<p>No. 34890 OEM: 318917</p>  <p>2-Cyl. Crossflow</p>	<p>No. 35440 OEM: 329830</p>  <p>2 & 3-Cyl. Loopcharged 90° V4 Loopcharged</p>	<p>No. 34630 OEM: 332108 (1985-1988)</p>  <p>3-Cyl., 49 Cubic Inch</p>
<p>No. 34150 OEM: 305586</p>  <p>90° V4 Crossflow</p>	<p>No. 33650 OEM: 332369</p>  <p>90° V4 Crossflow</p>	<p>No. 33600 OEM: 321184</p>  <p>90° V6 Crossflow</p>	<p>No. 36870 OEM: 337068</p>  <p>90° V6 Loopcharged</p>

Section 12

Johnson / Evinrude Ignition and Electrical

<i>Point Sets</i>	146
<i>Condenser</i>	146
<i>Power Trim Relay</i>	146
<i>Rectifiers</i>	146
<i>Point Sets & Condenser Application</i>	146
<i>Power Trim Relay Application</i>	146
<i>Rectifier Application</i>	146

Johnson / Evinrude

POINT SETS		CONDENSER	P.T. RELAY	RECTIFIERS	
No. 70070 OEM: 580148	No. 70200 OEM: 581207	No. 70590 OEM: 580256	No. 73010 OEM: 586147, 586224	No. 72320 OEM: 583408	No. 72350 OEM: 581778
				 3 wire	 4 wire

POINT SETS & CONDENSER APPLICATION

Model	Year	Point Sets	Condenser	Model	Year	Point Sets	Condenser
1.5, 2	1968-90	70070	.	25	1969-76	70070	-
3	1952-68	70070	.	28	1962-64	70070	-
4	1965-76	70070	.	30	1956	70070	-
4	1981-90	70070	.	33	1965-70	70070	-
4.5	1981	70200	.	35	1958-59	70070	-
5	1965-68	70070	.	35	1976	70070	-
5.5	1954-64	70070	.	40	1960-61	70200	-
6	1965-76	70070	.	40	1962-73	70070	-
7.5	1956-58	70070	.	40	1974-76	70070	-
9.5	1964-73	70070	.	40 C	1981-83	70200	-
10	1954-63	70070	.	45	1958-59	-	70590
15	1956	70200	.	50	1958-59	-	70590
15	1974-76	70070	.	60	1964-67	-	70590
18	1957-61	70070	.	75	1960-65	-	70590
18	1962-73	70070	.	80	1966-67	-	70590
20	1962-73	70070	.	90	1964-75	-	70590
25	1955	70070	.	100	1966	-	70590

POWER TRIM RELAY APPLICATION

RECTIFIER APPLICATION

Model	Year	Relay	Model	Year(s)	Rectifier
80	1984-92	73010	9.9, 15	1974-92	72320
SST 60	1989-90	73010	20	1989-98 (Elec. Start)	72320
85 (Comm. Models Only)	1985-92	73010	25	1977-03 (2-Cyl.) (Elec. Start)	72320
70	1982-92	73010	28	1989-96	72320
75	1982-88	73010	30	1989-03 (2-Cyl.) (Elec. Start)	72320
85	1991-92	73010	35	1976-93 (2-Cyl.) (Elec. Start)	72320
88	1987-92	73010	40	1974-76, 1988-92	72320
90	1981	73010	45	1989-92 (Comm)	72320
100 w/ Elec. Shift	1984-92	73010	45SS	1989-90	72320
F600cc (13)	1988	73010	48	1989-92	72320
110	1986-89	73010	50	1971-75	72350
115	1982-92	73010	50	1979-92	72320
120	1985-92	73010	55	1976-77	72350
125 (Comm. Models Only)	1982-92	73010	55	1978-81, 1980-92 & Comm	72320
140	1982-92	73010	60	1970 (D Models), 1971	72350
150	1982-92	73010	60	1980-88	72320
155 (Comm. Models)	1984-92	73010	60	1989-91 (EL & TL Models)	72350
2500cc	1988	73010	SST 60	1989-90	72350
175	1982-92	73010	65	1972-73, 1988-91	72350
185	1984-92	73010	70	1992-01	72350
200 (Comm. Models Only)	1982-92	73010	75	1975-88	72350
225	1986-92	73010	85	1970-80	72350
235	1982-85	73010	88	1989-92	72350
250	1991-91	73010	90	1981-92	72350
275	1985-88	73010	100	1971, 1979-80, 1984-92 (Except 1992 WTLNE & WTXENE)	72350
			115	1973-92	72350
			125	1971-72	72350
			135	1974 (135443, 135483 Models)	72350
			135	1973, 1975-76	72350
			140	1977-88	72350
			150	1979-88	72350
			155	1984-88	72350
			175	1977-83	72350
			185	1984-88	72350
			200	1976-83	72350
			235	1978-88	72350



Section 13

Johnson / Evinrude Carburetor Kits & Fuel Pumps

<i>Carburetor Service Kits</i>	148
<i>Needles and Seats</i>	148
<i>Carburetor Service Kits / Needle and Seats Applications.....</i>	149
<i>Carburetor Parts & Gaskets</i>	150
<i>Gaskets</i>	151
<i>Fuel Pump Kits and Applications</i>	152
<i>Kit Components</i>	152
<i>Fuel Filters and Kits</i>	153
<i>Low Pick-up Water / Fuel Separator Mounting Bracket.....</i>	154
<i>How to Choose the Correct Water / Fuel Separator</i>	155
<i>Stainless Steel Brackets / Die Cast Aluminum Brackets</i>	155
<i>Water Separating Fuel Filter Kits</i>	156

Johnson / Evinrude

CARBURETOR SERVICE KITS

No. 40510

OEM: 439071
w/o Float



No. 40550

OEM: 439072



No. 40530

OEM: 439074, 439075
w/o Float & Filter



No. 40600

OEM: 439073



No. 40560

OEM: 396701



No. 40580

OEM: 439078, 439079
w/o Float



No. 40520

OEM: 437327
w/o Float



No. 40540

OEM: 436959



No. 40570

OEM: 439076



No. 40590

OEM: 438996



NEEDLES & SEATS

No. 40720

OEM: 396522



No. 40710

OEM: 396521



No. 40700

OEM: 387262



No. 40730

OEM: 396520



Johnson / Evinrude

CARBURETOR SERVICE KITS / NEEDLES & SEATS APPLICATIONS

HP	Year	Carb. Kit w/o Float	Needle & Seat	HP	Year	Carb. Kit w/o Float	Needle & Seat
1.5	1970-90	40510	40720	60	1964-67	40540	40710
2	1970-90	40510	40720	60	1970-95	40560	40710
3	1952-67	40510	40710	60	1992-93	40560	40710
3	1968	40510	40720	65	1972-95	40560	40710
4	1965-78	40510	40720	65	1992-93	40560	40710
4	1983-89	40550	40720	70	1972-95 (3-Cyl.)	40560	40710
4	1991-93	40550	40720	70	1992-93	40560	40710
4.5	1982-84,87	40550	40720	75	1960-63	40540	40710
5	1965-67	40510	40720	75	1975-88	40560	40710
5	1968	40530	40710	80	1966-67	40540	40710
5	1984-85	40550	40720	85	1968	40540	40710
5.5	1954-67	40510	40720	85	1971-79	40530	40710
6	1954-79	40510	40720	85	1969-70,91-93	40570	40700
6	1968	40530	40710	V-4	1969-79	40570	40700
6	1984-85	40550	40720	V-4	1983-84	40570	40700
6	1986-up	40600	40720	88,90	1985-95	40570	40700
7.5	1955-58	40510	40720	90	1981-82,83	40570	40700
7.5	1982-83	40550	40720	100	1971,1980	40570	40700
8	1984-85	40550	40720	100	1972,1979	N/A	40710
8	1986-up	40600	N/A	100	1985-95	40570	40700
9.9	1974-88	40550	40720	110	1985-90	40570	40700
9.9	1989-up	40600	40720	115	1969,80-95	40570	40700
10	1954-63	40510	40720	115	1970,73-79	N/A	40710
14	1968	40550	40720	V-6	1976-90	40570	40700
15	1955-56	40510	40720	115	1983	40570	40700
15	1974-88	40550	40720	120	1985-90	40580	40720
15	1989-up	40600	40720	120	1985-90,1993	40580	40720
18	1957-68	40510	40720	125	1971-72	N/A	40710
20	1969-73	40560	40710	125	1993	40580	40720
20	1957-68	40510	40720	125 C	1989-95	40580	40720
20	1969-90	40560	40710	130	1995("P" only) -1999	40520	40720
25	1991-95	40560	40710	135	1973-76	N/A	40710
SAIL	1954-55	40530	40710	140	1977,80-83	40570	40700
DR	1978-90	40560	40710	140	1978-79	N/A	40710
25	1969-95	40560	40710	140	1985-91	40580	40720
25	1991-95	40560	40710	140	1993	40580	40720
28	1962-64	40530	40710	150	1979-90	40570	40700
28	1976-95	40560	40710	150	1993	40590	40720
28	1992-93	40560	40710	150	1992-93	40590	40720
30	1956	40530	40710	155	1984-93	40570	40700
30	1976-95	40560	40710	175	1977-91	40570	40700
30	1991-93	40560	40710	175	1992-93	40590	40720
33	1965-70	40530	40710	185	1984	40570	40700
35	1957-59	40530	40710	185	1989-93	40590	40720
35	1959	40530	40710	200	1976-83	40570	40700
35	1976-95	40560	40710	200	1986-90	40580	40720
35	1991-3	40560	40710	200	1992-93	40590	40720
40	1960-63,71	40530	40710	200TX	1996	40520	40720
40	1965-70,72-78	40530	40710	200/225 Loop	1997	40520	40720
40	1971-90,79-92	40560	40710	225	1986-90	40590	40720
40	1993	40560	40710	225	1992-93	40590	40720
45	1971-95	40560	40710	235	1978-84	40570	40700
45	1992	40560	40710	250	1991-93	40590	40720
48	1992-95	40560	40710	250 V6 Loop	1998-1999	40520	40720
50	1958-59	40540	40710	275\3.6 L	1985-88	40590	40720
50	1971-95	40560	40710	300	1988	40590	40720
50	1993	40560	40710	300	1991-93	40590	40720
55	1968-69,71-95	40560	40710	130/200/225/250	2000	40520	40720
55	1992	40560	40710	135/200/225/250	2001	40520	40720

Johnson / Evinrude

CARBURETOR PARTS & GASKETS

No. 23203

RETAINER
OEM: 315232



No. 32650

GASKET
OEM: 307583



No. 31174

PLUG WASHER
CARB. SCREW
OEM: 317477



No. 37799

GASKET
OEM: 338883



No. 33100

GASKET
OEM: 338860



No. 37790

GASKET
OEM: 335070



No. 37794

GASKET
OEM: 343512



No. 37760

GASKET
OEM: 338813



No. 33120

FLOAT BOWL
OEM: 338878



No. 33130

FUEL BOWL
OEM: 338880



No. 34090

FUEL BOWL
OEM: 303750



No. 33140

CARBURETOR BOWL
OEM: 338884



No. 34831

NOZZLE & FLOAT
BOWL GASKET KIT
OEM: N/A



No. 33260

CARBURETOR BODY
OEM: 305218



Johnson / Evinrude

GASKETS			
<p>No. 37795 COVER GASKET OEM: 340616</p> 	<p>No. 37796 COVER GASKET OEM: 341501</p> 	<p>No. 37797 COVER GASKET OEM: 334043</p> 	<p>No. 37840 GASKET OEM: 334353</p> 
<p>No. 37770 GASKET OEM: 335648</p> 	<p>No. 37780 GASKET OEM: 327223</p> 	<p>No. 37791 GASKET OEM: 341085</p> 	<p>No. 37792 GASKET OEM: 335115</p> 
<p>No. 37793 GASKET OEM: 340657</p> 	<p>No. 37798 GASKET OEM: 333348</p> 	<p>No. 34220 HOUSING TO TANK GASKET OEM: 125530</p> 	<p>No. 33210 FUEL TANK GASKET OEM: 302557</p> 
<p>No. 86654 SEAL OEM: 332253</p> 	<p>No. 86656 SEAL OEM: 344046</p> 	<p>No. 86657 SEAL OEM: 343613</p> 	<p>No. 86658 SEAL OEM: 335076</p> 

Johnson / Evinrude

FUEL PUMP KITS & APPLICATIONS

No. 40810

OEM: 393088



No. 40820

OEM: 393103



No. 40830

OEM: 398514



No. 40840

OEM: 432962



No. 40850

OEM: 438616



Model	Year	Part No.	Model	Year	Part No.	Model	Year	Part No.
2.5	1987-88	40810	30, 35	1976-86	40820	65 Comm.	1984	40820
4	1981-Up	40810	35	1958-59	-	65 Comm.	1988-89	40830
4.0 Deluxe	1992-93	40810	40	1960-64	-	70, 75	1982-84	40820
4.5	1981-Up	40810	40	1987	40830	70	1990	40830
5	1985-93	40810	40	1990-Up	40850	75	1960-65	-
6	1977-Up	40810	40	1970-78	40820	80	1966-67	-
6.5	1989-90	40810	40, 50	1988-89	40840	85	1978-83	40820
7.5	1982-83	40810	45	1958-59	-	88	1987	40830
8	1984-93	40810	45, 48, 50	1989	40840	88, 90, 110	1988-89	40830
9.9, 15	1981	40820	45, 48, 50	1990-Up	40850	88, 90, 100, 115	1990	40830
9.9, 15	1982-Up	40810	45, 55	1985-86	40830	88, 100, 125	1990-Up	40850
9.9 Electric & 15	1987-89	40830	45, 55	1987	40830	90	1964-65	-
9.9 Electric & 15	1990-Up	40850	45, 55 Comm.	1989-90	40830	90, 115	1978-83	40820
10/14	1989-90	40810	48	1987	40830	90, 115, 140	1982	40820
14	1988	40810	48	1988	40840	100	1966	-
20/25	1977-86	40820	48, 50	1990	40840	100 Comm.	1989-90	40830
20-30	1990-Up	40850	50	1958-59	-	125 Comm.	1989-90	40830
20, 25, 30	1987	40830	50	1987	40830	V4 140	1978-83	40820
20, 25, 30	1988-89	40840	50, 60	1982-84	40820	150, 175, 200	1982	40820
20, 25, 30 Rope	1990	40840	55	1983	40820	V6 150, 175	1983	40820
20, 30, 35 Remote	1990	40840	55 Comm.	1984	40820	155 Comm.	1989-90	40830
20/35 Rope	1989	40840	55-75	1970-78	40820	V6 235	1983	40820
25 Comm.	1982	40820	60	1964-67	-	2.6	1984	40830
25 Comm.	1988-90	40840	60	1988	40830	3.0	1991-93	40810
28	1962-63	-	65	1985-87	40820			
28	1987	40830	65	1990	40830			

KITS COMPONENTS

No. 04095

CHECK VALVE
OEM: 335334



No. 33110

FUEL PUMP
GASKET
OEM: 338876



No. 34080

FUEL PUMP
MOUNTING GASKET
OEM: 303615



No. 33370

FUEL PUMP
GASKET
OEM: 338879



No. 31172

FUEL PUMP
SCREW GASKET
OEM: 303630



Washer Fiber

No. 04092

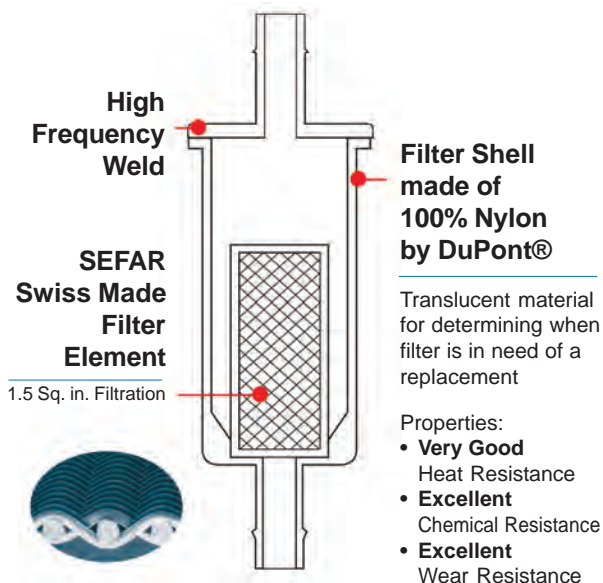
DIAPHRAGM
OEM: 331307



Johnson / Evinrude

FUEL FILTERS & KITS

GLM's PLASTIC INLINE FUEL FILTERS



NEW PACKAGING!



Brisk Packaging for Easy Opening



No. 40135

OEM: 435918
For \varnothing 5/16" In - \varnothing 3/8" Out



No. 40145

OEM: 35-816296Q03
Use with \varnothing 1/4" Hose



No. 40155

OEM: 35-816296Q2
Use with \varnothing 5/16" Hose



No. 40165

OEM: N/A
Use with \varnothing 3/8" Hose

GLM's Transparent Inline Fuel Filter

Eliminate contaminants such as dust or dirt particles. Acts not only as a blocking device, but is also a gauge to indicate filter replacement. As affordable as disposable in-line fuel filters

WARNING:
DO NOT USE ON INBOARD ENGINE APPLICATIONS



No. 40140 (\varnothing 1/4")

OEM: N/A

No. 40150 (\varnothing 5/16")

OEM: N/A

No. 40160 (\varnothing 3/8")

OEM: N/A

Swiss Made Filter Element

No. 24820

CARB. FUEL FILTER
OEM: 308239



No. 24830

CARB. FUEL FILTER
OEM: 305185



No. 40000

REPLACEMENT FILTER
OEM: N/A

For No. 40140,
40150, 40160



Swiss Made Filter Element

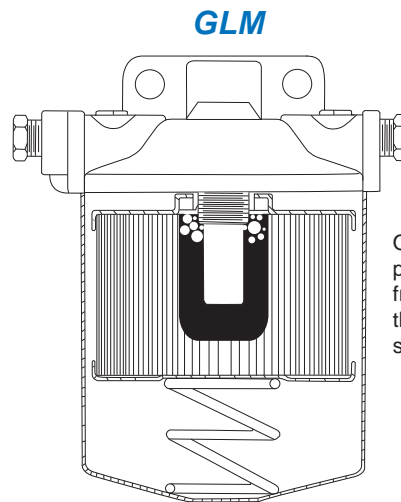
Johnson / Evinrude

ELIMINATE FUEL STARVATION WITH GLM'S LOW PICK-UP WATER / FUEL SEPARATOR MOUNTING BRACKET

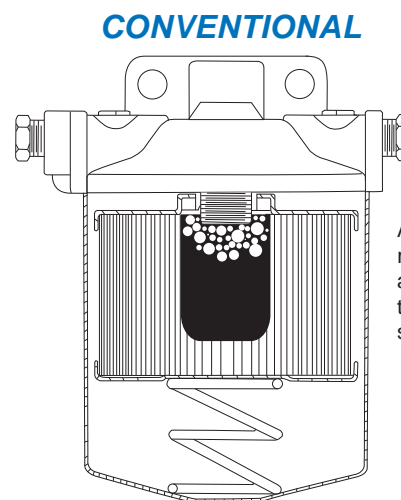
Engine compartment temperatures can soar on hot summer days creating high gasoline temperatures. High temps and agitation caused by rough seas can aerate the gasoline in the water/fuel separator filter turning it into foam. A fuel pump can't pull aerated gasoline from the water/fuel separator and deliver it to the carburetor or fuel rail efficiently. The engine will show signs of gasoline starvation (lean) at high speeds, a situation very similar to vapor lock.

Because this aerated gasoline rises to the top of the water/fuel separating filter, GLM has introduced a filter mounting bracket with a fuel pick-up extending deeper into the filter. Through extensive research and testing the GLM engineers have found the optimum location for the fuel pick-up. The deeper location is low enough to be free of aerated gasoline but high enough to be free of the water in the bottom of the separator.

The deeper fuel pick-up is only found on the new GLM water/fuel separator mounting bracket kits. It might solve some of those mysterious fuel delivery problems your engine may be experiencing!



Our design prevents air from entering the fuel system.



Air molecules rise to top and into the fuel system.

***For trouble free boating always remember to replace your water/fuel separating filter after every 50 hours of engine operation!**

Johnson / Evinrude

HOW TO CHOOSE THE CORRECT WATER/FUEL SEPARATOR

Water/Fuel Separators are categorized by their capacity to filter different sized dirt particles. Rated in Microns, (each micron is one millionth of an inch in diameter) marine filters will normally be available with elements capable of filtering 2 micron particles, 10 micron particles, or 28 micron particles. A marine filter capable of filtering 2 micron particles will clean the fuel more efficiently than a 28 micron filter but will be more restrictive to fuel flow. The 2 micron filter will also become dirty sooner and will need replacement more often.

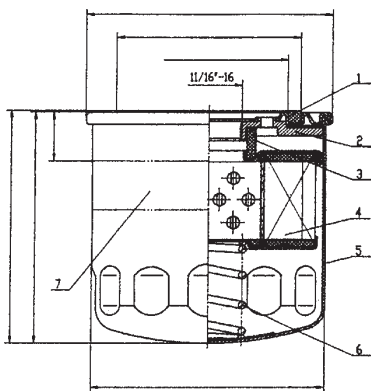
Fuel flow is rated in Gallons Per Hour (GPH). A typical 350/5.7L inboard engine will require 27 GPH at 4,800 rpm, a 454/7.4L inboard engine will require 37 GPH at 4,800 rpm. Selecting a fuel/water separating filter should be based on the amount of fuel the engine requires in GPH at wide open throttle.

A 2 micron fuel filter is generally too restrictive for the average four stroke inboard engine and may separate the

oil from the fuel in two stroke outboard engines. For this reason GLM sells only the 10 and 28 micron fuel filters.



The 28 micron filter is the most common size fuel filter in the marine industry and is the standard replacement filter for all two stroke and four stroke marine engines. The GLM 28 micron filter exceeds all engine manufacturers' specifications for particulate filtering, water separating and fuel flow.

The GLM 10 micron filter will provide exceptional filtering and only moderate fuel pressure loss. When used with sufficient sized fuel lines it will flow enough fuel for inboard engines up to 550 horsepower. It will **not** separate the oil from the gasoline on a two stroke outboard equipped boat. Because a 10 micron filter clogs faster than a 28 micron filter GLM recommends replacing the water/fuel separator filter at regular intervals.



GLM Fuel Filter Features

- * 28 or 10 micron filter paper shaped into 70 pleats total 327 sq. in. filtration. The largest filtering capability in the aftermarket. (4)
- * BWG #11 heavy duty spring (6).
- * Gasoline resistant rubber seals (1) (3).
- * Oxidizing treatment inside powder coated outside for corrosion protection (5).
- * Minimum 196N.m. torque strength between adapt plate and canister (2).
- * Will not separate 2 cycle oil from gasoline!

SUS316 Stainless Steel Brackets		Translucent Red Stainless Steel Brackets		Die Cast Aluminum Brackets	
No. 25010 w/ 2 brass plugs 2 extension tubes  ø 1/4" NPTF Ports (2 inputs & 2 outputs)	No. 25030 w/ 2 brass plugs 2 extension tubes  ø 3/8" NPTF Ports (2 inputs & 2 outputs)	No. 25011 w/ 2 brass plugs 2 extension tubes  ø 1/4" NPTF Ports (2 inputs & 2 outputs) NEW	No. 25031 w/ 2 brass plugs 2 extension tubes  ø 3/8" NPTF Ports (2 inputs & 2 outputs) NEW	No. 25000 w/ 2 brass plugs 2 extension tubes  ø 1/4" NPTF Ports (2 inputs & 2 outputs)	No. 25020 w/ 2 brass plugs 2 extension tubes  ø 3/8" NPTF Ports (2 inputs & 2 outputs)
No. 24942 WATER SEPARATOR FUEL FILTER OEM: N/A  10 Micron Height 4-7/16"			No. 24940 WATER SEPARATOR FUEL FILTER OEM: N/A  28 Micron Height 4-7/16"		

Johnson / Evinrude

WATER SEPARATING FUEL FILTER KITS

With Stainless Steel Bracket

No. 24956

(24940+25010)
OEM: N/A

28 Micron

ø 1/4" NPTF Ports
Flow: 50 GPH
with 2 brass plugs & 2 extension tubes



No. 24958

(24940+25030)
OEM: N/A

28 Micron

ø 3/8" NPTF Ports
Flow: 75 GPH
with 2 brass plugs & 2 extension tubes



No. 24957

(24942+25010)
OEM: N/A

10 Micron

ø 1/4" NPTF Ports
Flow: 50 GPH
with 2 brass plugs & 2 extension tubes



No. 24959

(24942+25030)
OEM: N/A

10 Micron

ø 3/8" NPTF Ports
Flow: 75 GPH
with 2 brass plugs & 2 extension tubes



With NEW! Translucent Red Stainless Steel Bracket

No. 24960

(24940+25011)
OEM: N/A

28 Micron

ø 1/4" NPTF Ports
Flow: 50 GPH
with 2 brass plugs & 2 extension tubes



No. 24962

(24940+25031)
OEM: N/A

28 Micron

ø 3/8" NPTF Ports
Flow: 75 GPH
with 2 brass plugs & 2 extension tubes



With Die Cast Aluminum Bracket

No. 24950

(24940+25000)
OEM: N/A

28 Micron

ø 1/4" NPTF Ports
Flow: 50 GPH
with 2 brass plugs & 2 extension tubes



No. 24953

(24940+25020)
OEM: N/A

28 Micron

ø 3/8" NPTF Ports
Flow: 75 GPH
with 2 brass plugs & 2 extension tubes



No. 24952

(24942+25000)
OEM: N/A

10 Micron

ø 1/4" NPTF Ports
Flow: 50 GPH
with 2 brass plugs & 2 extension tubes



No. 24954

(24942+25020)
OEM: N/A

10 Micron

ø 3/8" NPTF Ports
Flow: 75 GPH
with 2 brass plugs & 2 extension tubes



Section 14

Johnson / Evinrude Powerhead Gaskets

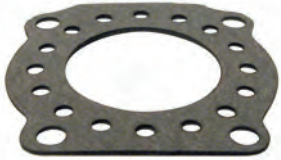
<i>1 & 2-Cylinder Head Gaskets</i>	158
<i>3-Cylinder & V4 Head Gaskets</i>	159
<i>V6 & V8 Head Gaskets</i>	160
<i>Head Gaskets Applications</i>	161
<i>Powerhead Gasket Kits</i>	162-165
<i>Powerhead Gasket Kits Applications</i>	165
<i>Powerhead Mounting Gaskets</i>	166-167
<i>Intermediate Housing Exhaust Gaskets</i>	167
<i>Seals - Exhaust Housing</i>	167
<i>Powerhead Exhaust Gaskets</i>	168
<i>Powerhead Water Passage Cover Gaskets</i>	169
<i>Powerhead Transfer Port Gaskets - Crossflow Engines</i>	169
<i>Carburetor to Intake Manifold Gaskets</i>	170
<i>Intake Manifold Gaskets / Reed Plate Gaskets</i>	171
<i>Air Silencer Gaskets</i>	172

Johnson / Evinrude

1 & 2-CYLINDER HEAD GASKETS

No. 33850

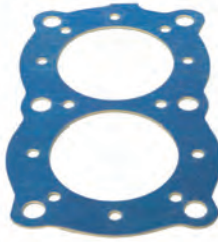
OEM: 313782



2 HP 1-Cyl.
(1969-1990)

No. 34010

OEM: 203130



4 HP 2-Cyl.
(1968-1980)

No. 33860

OEM: 332010



2.5, 3, 4, 4.5 HP 2-Cyl.
(1987-1998)

No. 33830

OEM: 329103



6 HP 2-Cyl.
(1959-1979)

No. 36310

OEM: 325273



6, 7.5, 8 HP 2-Cyl.
(1980-1998)

No. 34140

OEM: 330818



9.9, 15 HP 2-Cyl.
(1985-1992)

No. 36020

OEM: 338222



9.9, 15 HP 2-Cyl.
(1993-1999)

No. 35840

OEM: 319633



25, 35 HP, 2-Cyl.
(1976-1978)

No. 34570

OEM: 329419



20, 25, 28, 30, 35 HP, 2-Cyl.
(1979-2000)

No. 35990

OEM: 307069



40 HP, 2-Cyl., Crossflow
(1960-1986)

No. 34250

OEM: 335359



Large, 2-Cyl. Loopcharged
(1976-2001)

Johnson / Evinrude

3-CYLINDER & V4 HEAD GASKETS

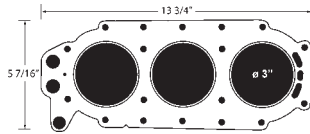
3-Cylinder Head Gaskets



No. 33400

OEM: 313413

Fits (1968-1989)
3-Cyl. Loopcharged
Engines with a
ø 3.000" Piston



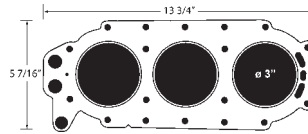
No. 35830*

OEM: 332816

Fits (1968-1989)
3-Cyl. Loopcharged
Engines with a
ø 3.000" Piston

Thicker

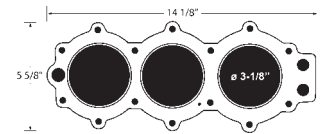
*Same as No. 33400 except thicker to lower cylinder compression for low octane fuel.



No. 34280

OEM: 329836

Fits (1986-2001)
3-Cyl. Loopcharged
Engines with a
ø 3.1875" Piston



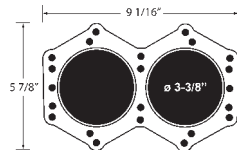
V4 Head Gaskets



No. 34030

OEM: 306048

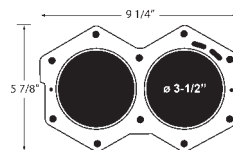
Fits (1968-1972)
90° V4 Crossflow
Engines with a
ø 3.375" Piston



No. 33540

OEM: 318358

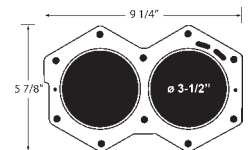
Fits (1973-1994)
90° V4 Crossflow
Engines with a
ø 3.500" Piston



No. 35820*

OEM: 332819

Fits (1973-1994)
90° V4 Crossflow
Engines with a
ø 3.500" Piston



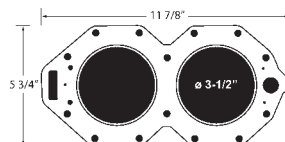
*Same as No. 33540 except thicker to lower cylinder compression for low octane fuel.



No. 34400

OEM: 328623

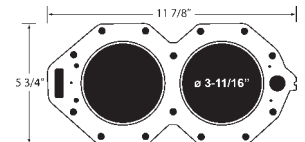
Fits (1985-1987)
90° V4 Loopcharged Engines
with a ø 3.500" Piston



No. 35930

OEM: 340115

Fits (1988-1999)
90° V4 Loopcharged Engines
with a ø 3.6875" Piston



Johnson / Evinrude

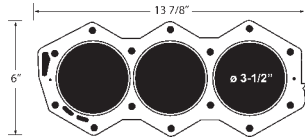
V6 & V8 HEAD GASKETS



No. 33870

OEM: 335360

Fits (1976-1991)
90° V6 Crossflow Engines
with a \varnothing 3.500" Piston



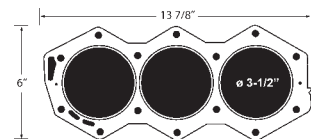
No. 35940*

OEM: 332817

Fits (1976-1991)
90° V6 Crossflow Engines
with a \varnothing 3.500" Piston

Thicker

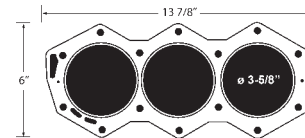
*Same as No. 33870
except thicker to lower
cylinder compression
for low octane fuel.



No. 34240

OEM: 335361

Fits (1980-1991)
90° V6 Crossflow Engines
with a \varnothing 3.625" Piston



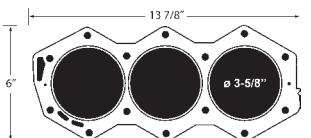
No. 35960*

OEM: 332818

Fits (1980-1991)
90° V6 Crossflow Engines
with a \varnothing 3.625" Piston

Thicker

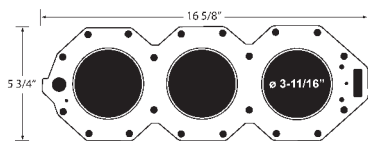
*Same as No. 34240
except thicker to lower
cylinder compression
for low octane fuel.



No. 34590

OEM: 333670

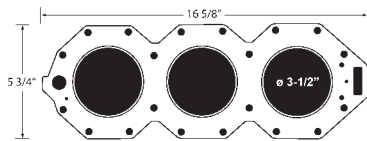
Fits (1988-2001)
90° V6 Loopcharged Engines
with a \varnothing 3.685" Piston



No. 35950

OEM: 331211

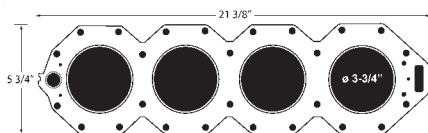
Fits (1985-1987)
90° V6 Loopcharged Engines
with a \varnothing 3.500" Piston



No. 35970

OEM: 340116

Fits (1994-1998)
90° V8 Loopcharged Engines
with a \varnothing 3.685" Piston



Johnson / Evinrude

HEAD GASKETS APPLICATIONS					
1974 and Later Models			Fast Moving Gaskets for Older Models		
Model	Year	GLM No.	Model	Year	GLM No.
2 Colt, Junior ©	1969-90	33850	5, 5.5, 6	1959-73	33830
2.3, 3.3, 3.5	1991-Up	-	9.5	1964-73	-
4	1968-80	34010	33	1965-70	-
2.5, 3, 4, 4.5, Ultra, Excel 4	1981-98	33860	40	1960-73	35990
6 (145cc)	1959-79	33830	50, 60, 65	1958-68	-
6, 7.5, 8 (164cc)	1980-98	36310	55, 60, 65	1968-73	33400
9.9, 15 (216cc)	1974-92	34140	60, 65	1970-73	35830
9.9, 15 (255cc)	1993-99	36020	75, 80, 85, 90, 100, 115	1960-70	34030
25 (361cc)	1974-76	-	125	1971-72	-
25 (521cc)	1977-78	35840	115, 135	1973	33540
35 (521cc)	1976-78	35840			
20, 25, 28, 30, 35 (521cc)	1979-00	34570			
40, 40 Comm. (719cc)	1968-86	35990			
50 (680cc)	1974-75	-			
40, 45, 48, 50, 55, 60 (737cc)	1976-01	34250			
60 3-Cyl. (814cc)	1986-89	33400			
60 3-Cyl. (913cc)	1974-85	33400			
70 3-Cyl. (814cc)	1989-01	34280			
70 3-Cyl. (913cc)	1986-01	34280			
75 3-Cyl. (814cc)	1975-89	33400			
75 3-Cyl. (814cc) Low Octane	1975-78	35830			
85 V4 Crossflow	1974-78	-			
115, 135, 140 V4 Crossflow	1973-78	33540			
85, 88, 90, 100, 110, 115 V4 Crossflow	1978-94	33540			
115 V4 Crossflow	1985	35820			
135, 140 V4 Crossflow	1973-84	35820			
140 V4 Crossflow	1977-84	33540			
120, 140, V4 Loopcharged	1985-87	34400			
120, 130, 140 V4 Loopcharged, 2 L	1988-99	35930			
150, 155, 175, 185, 200 Crossflow	1976-91	33870			
150, 155, 175, 185, 200 Crossflow	1976-91	35940			
175 V6 Crossflow	1986-92	34240			
200, 225 V6 Loopcharged	1986-87	35950			
200, 225 Loopcharged V6, 3 L	1988-93	34590			
200, 225, 250 V6 Loopcharged, 3L	1994-01	34590			
235 V6 Crossflow	1978-79	33870			
235 V6 Crossflow	1980-85	34240			
235 V6 Crossflow	1978-79	35940			
235 V6 Crossflow	1980-85	35960			
2.6 XP-GT V6 Crossflow	1983-85	-			
2.6 XP-GT V6 Crossflow	1983-85	35960			
275, 3.6 L V8 Loopcharged	1985-87	-			
250, 275, 300 V8 Loopcharged, 4 L	1988-93	35970			
300 V8 Loopcharged, 4 L	1993-94	35970			

Johnson / Evinrude

POWERHEAD GASKET KITS

No. 39380

OEM: 394546



9.9-15 HP
(1984-1992)

No. 39353

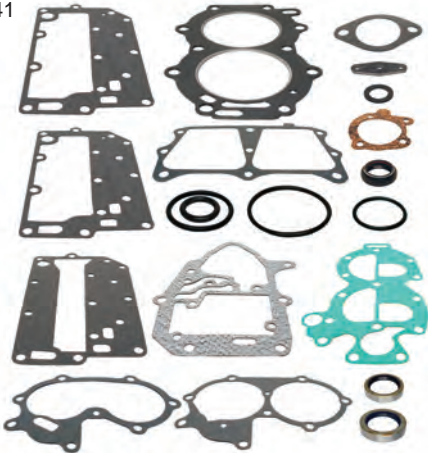
OEM: 436358



9.9-15 HP
(1993-1999)

No. 39420

OEM: 433941



20, 25, 30 HP, Crossflow
(1996-1999)

No. 39355

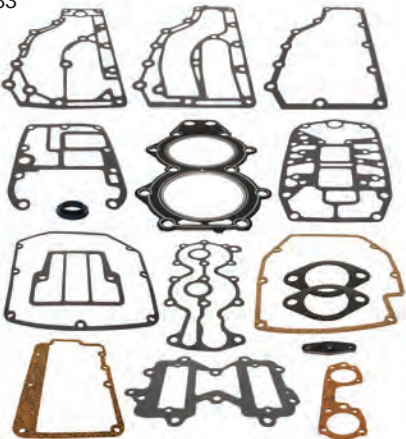
OEM: 390700



40 HP Comm., Crossflow
(1983-1986)

No. 39370

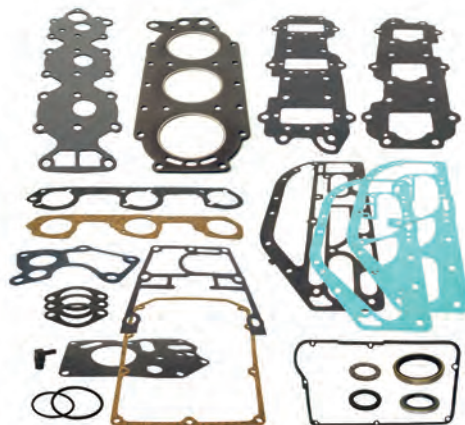
OEM: 439083



40-60 HP, 2-Cyl. Loopcharged
(1998-2001)

No. 39350

OEM: 390078



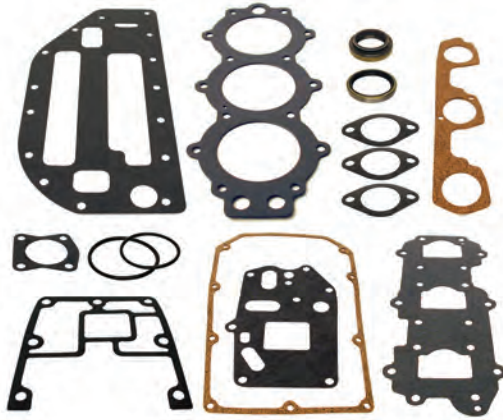
60-70 HP, 3-Cyl.
(1979-1988)

Johnson / Evinrude

POWERHEAD GASKET KITS

No. 39390

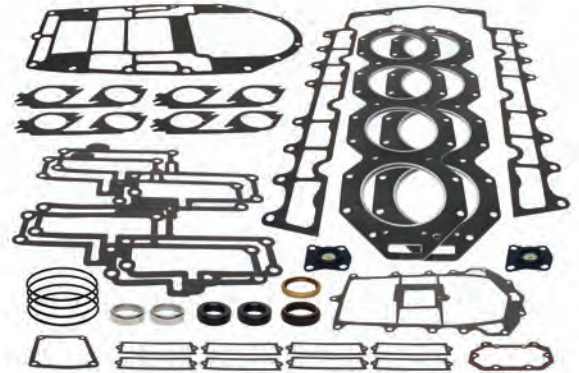
OEM: 438904



60-70 HP, 3-Cyl.
(1986-2001)

No. 39070

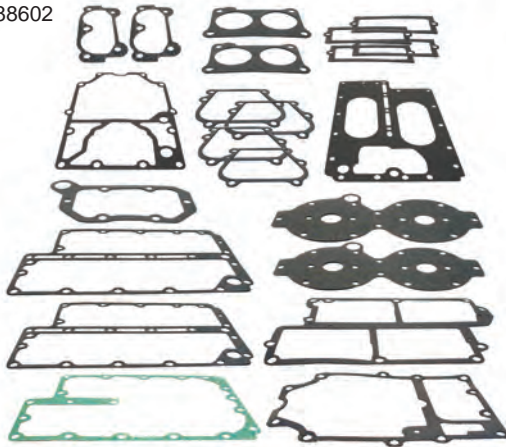
OEM: 398693



V8 250, 275 HP, 300 Special
(1994-1998)

No. 39360

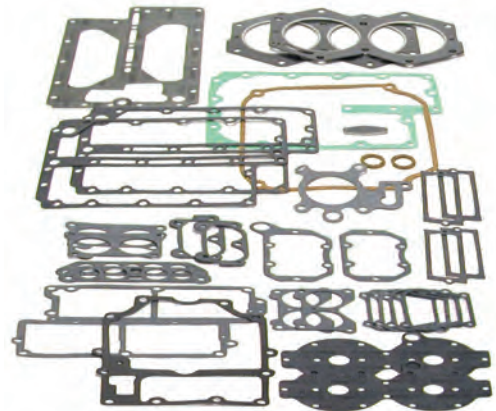
OEM: 388602



90° V4 Crossflow
(1973-1977)

No. 39080

OEM: 439085



90° V4 Crossflow
(1978-1994)

No. 39354

OEM: 396750



90° V4 Loopcharge 120-140 HP
(1985-1987)

No. 39400

OEM: 432570



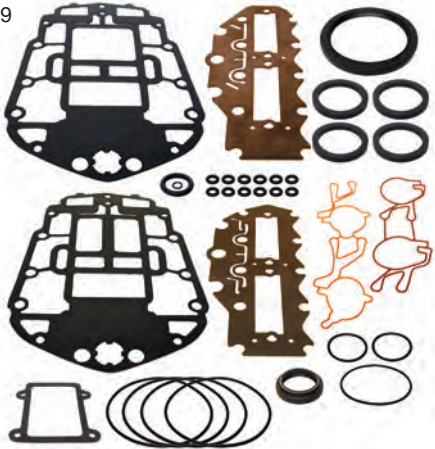
90° V4 Loopcharge 120-140 HP
(1988-1999)

Johnson / Evinrude

POWERHEAD GASKET KITS

No. 39351

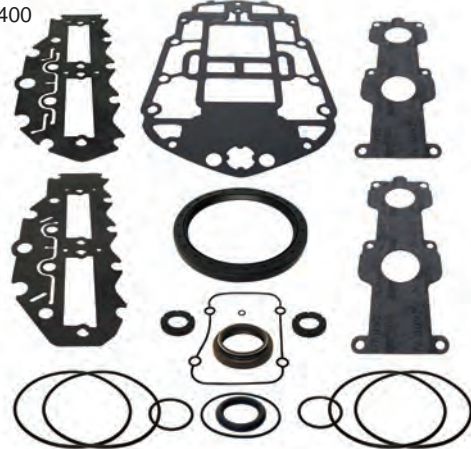
OEM: 439559



60° V4 Loopcharged, Carb., 90-115 HP
(1995-UP)

No. 39356

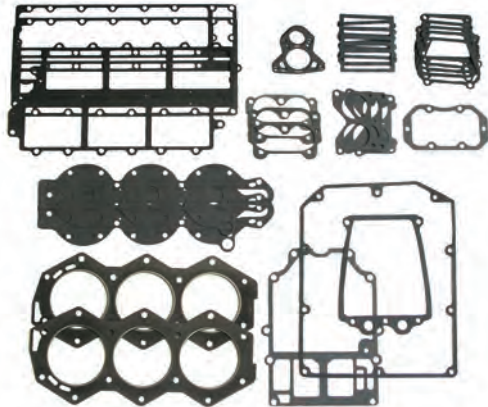
OEM: 5000400



60° V4 Loopcharged, EFI, 90-115 HP
(1998-UP)

No. 39090

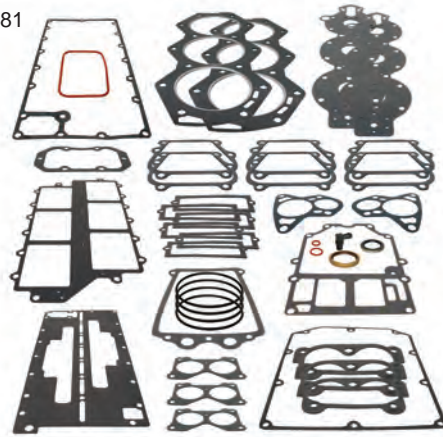
OEM: 391988



V6 Crossflow All (Except 175-235 HP 1980-1991)
(1978-1991)

No. 39430

OEM: 434381



V6 Crossflow
175, 235 HP (1980-1991)

No. 39352

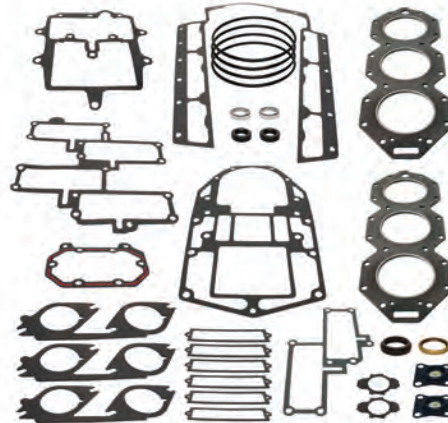
OEM: 437155



60° V6 Loopcharged, Carb., 150-175 HP
(1991-1999)

No. 39930

OEM: 398172



90° V6 Loopcharged, Carb., 200, 225 HP
(1986-1987)



Johnson / Evinrude

POWERHEAD GASKET KITS

No. 39410

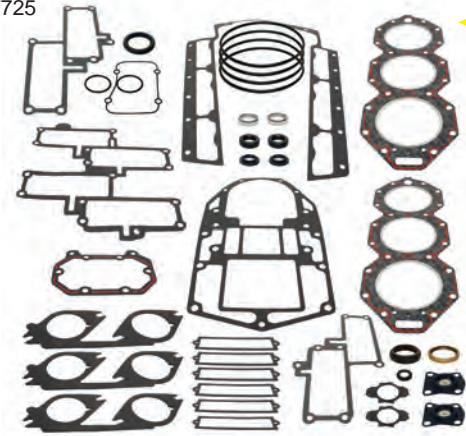
OEM: 436891



90° V6 Loopcharged, Carb., 200-225 HP
(1988-1993)

No. 39510

OEM: 437725



90° V6 Loopcharged, Carb., 200, 225, 250 HP
(1994-2001)

POWERHEAD GASKET KITS APPLICATIONS

Model	Year	GLM No.	Model	Year	GLM No.
2-Cylinder			V4 Crossflow		
2 Colt, Junior®	1985-88	-	85	1973-77	39360
2 Colt, Junior®	1989-90	-	115, 135, 140 Use 33540 HD Gskt, Plus P/N	1973-77	39360
4	1978-82	-	85	1978	-
2.5, 4, 4.5, Ultra or Excel 4	1983-87	-	85, 88, 90, 110, 115	1979 & Up	39080
2.5, 4, 4.5, Ultra or Excel 4	1988-90	-	100, 115, 140	1978-84	39080
3, 4	1991 & Up	-	115	1985	39080
5, 6	1984-90	-	V4 90° Loopcharged		
5, 6, 8	1991 & Up	-	120-140	1985-87	39354
6	1972-79	-	120-140	1988-94	39400
6, 7.5	1981-83	-	130	1995	39400
8	1980-83	-	V4 60° Loopcharged		
8	1984-90	-	90-115 V4 60°	1995 & Up	39351
9.9, 15	1974-92	39380	90-115 FFI	1998 & Up	39356
9.9, 15	1993 & Up	39353	V6 90° Crossflow		
18	1970-73	-	150	1978-91	39090
25	1973-76	-	155	1986-91	39090
25	1977-78	-	175	1977-85	39090
20, 25, 28, 30	1979 & Up	39420	185	1984-85	39090
35	1979-86	39420	200	1976-83	39090
40	1970-71	-	235	1978-79	39090
40 Comm.	1987-91	39355	175	1986-91	39430
40, 45, 48, 55	1980 & Up	39370	235	1980-85	39430
50	1971-75	39370	235	1983-85	-
55	1976	39370	V6 60° Loopcharged		
55	1977-79	39370	150-175 V6 60°	1991 & Up	39352
50	1980	39370	150-175 FFI	1997-98	-
55, 60	1980-85	39370	150-175 FFI	2000 & Up	-
3-Cylinder			V6 90° Loopcharged		
50	1995	39390	200, 225	1985-87	39930
60	1986-88	39350	200, 225	1988-1993	39410
60	1989 & Up	39390	200, 225	1994-01	39510
65 Use 33400 HD Gskt, Plus P/N	1972-73	39350	V8		
65	1984-86	39350	275, 3.6 L	1985-87	-
65	1987 & Up	39390	250, 275, 300 Special	1988 & Up	39070
70	1974-85	39350	200-250 FFI	2001	-
70	1986 & Up	39390			

Johnson / Evinrude

POWERHEAD MOUNTING GASKETS

No. 35190

OEM: 324717



9.9, 15 HP (1972-1985)

No. 33080

OEM: 325721



9.9, 15 HP (1986-Up)

No. 33430

OEM: 314421



18, 25 HP

No. 33190

OEM: 319348



28, 33, 40 HP

No. 34350

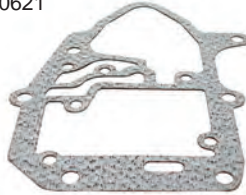
OEM: 319710



25, 35 HP (1976-1978)

No. 33710

OEM: 330621



25, 35 HP (1979-Up)

No. 35340

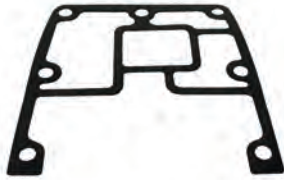
OEM: 351018



2-Cyl., Loopcharged

No. 35430

OEM: 329828



3-Cyl., 60, 70 HP

No. 33410

OEM: 313763



Thin Gasket

3-Cyl.

No. 34550

OEM: 328618

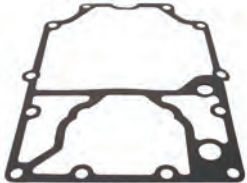


Thick Gasket

3-Cyl.

No. 34880

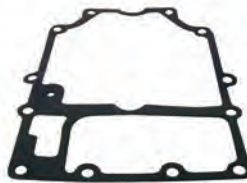
OEM: 318373



90° V4 Crossflow (1973-1977)

No. 33640

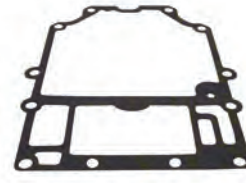
OEM: 342513



90° V4 Crossflow (1978-1997)

No. 34460

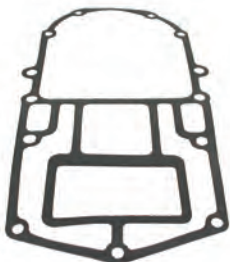
OEM: 323214



90° V6 Crossflow

No. 35370

OEM: 328590



90° V4 Loopcharged

No. 35790

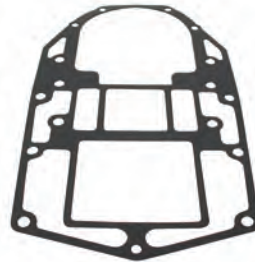
OEM: 335503



90° V6 Loopcharged

No. 35780

OEM: 333879



90° V6 Loopcharged

No. 35460

OEM: 329975



90° V8 Loopcharged

Johnson / Evinrude

POWERHEAD MOUNTING GASKETS

No. 36500

OEM: 343853



60° V4 (1997)

No. 36510

OEM: 344386



60° V4 (1998-Up)

No. 36560

OEM: 335419



60° V6

INTERMEDIATE HOUSING EXHAUST GASKETS

No. 35360

OEM: 351019



2-Cyl., Loopcharged

No. 35420

EXHAUST RELIEF COVER
OEM: 329826



2-Cyl., Loopcharged
Exhaust Relief Cover

No. 34600

OEM: 331016



3-Cyl. (1972-1985)

No. 35810

OEM: 336308



3-Cyl., 60, 70 HP (1986-UP)

No. 34500

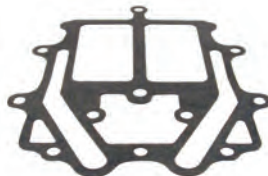
OEM: 324516



90° V6 Crossflow

No. 33670

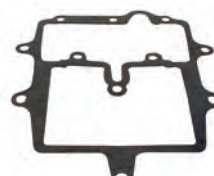
OEM: 323292



90° V6 Crossflow

No. 35680

OEM: 331585



90° V6 Crossflow

No. 34470

OEM: 323222



90° V4, V6 Crossflow

No. 34490

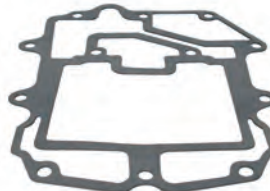
OEM: 323459



90° V4 Crossflow

No. 35770

OEM: 343809



90° V6 Loopcharged

No. 35760

OEM: 333564



90° V6 Loopcharged

SCREW / SEAL

No. 22301

OEM: 317763



For Crankcase
Cover

No. 85830

OEM: 320936



No. 85840

OEM: 320961



No. 86210

OEM: 324937










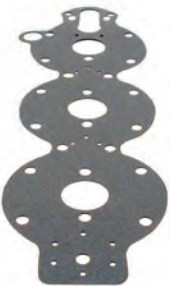










Johnson / Evinrude

POWERHEAD EXHAUST GASKETS

<p>No. 33170 OEM: 313065</p>  <p>5,5,5,6 HP</p>	<p>No. 35200 OEM: 325211</p>  <p>5, 5.5, 6 HP</p>	<p>No. 34320 OEM: 318925</p>  <p>9.9, 15 HP</p>	<p>No. 33690 OEM: 324323</p>  <p>25, 35 HP</p>
<p>No. 35330 OEM: 326264</p>  <p>2-Cyl. Crossflow</p>	<p>No. 33230 OEM: 304762</p>  <p>2-Cyl. Crossflow</p>	<p>No. 34800 OEM: 315868</p>  <p>2-Cyl. Loopcharged</p>	<p>No. 34850 OEM: 315869</p>  <p>2-Cyl. Loopcharged</p>
<p>No. 34610 OEM: 331916</p>  <p>3-Cyl.</p>	<p>No. 34620 OEM: 331917</p>  <p>3-Cyl.</p>	<p>No. 35450 OEM: 343863</p>  <p>3-Cyl., 60-70 HP</p>	<p>No. 34300 OEM: 317955</p>  <p>90° V4 Crossflow</p>
<p>No. 34290 OEM: 317914</p>  <p>90° V4 Crossflow</p>	<p>No. 33240 OEM: 305176</p>  <p>90° V4 Crossflow</p>	<p>No. 33680 OEM: 323469</p>  <p>90° V4 Crossflow</p>	<p>No. 33510 OEM: 318156</p>  <p>90° V4 Crossflow</p>
<p>No. 34650 OEM: 393561</p>  <p>90° V6 Crossflow, 235 HP</p>	<p>No. 33620 OEM: 321435</p>  <p>90° V6 Crossflow</p>	<p>No. 33590 OEM: 321182</p>  <p>90° V6 Crossflow</p>	<p>No. 32560 OEM: 336430</p>  <p>90° V6 Crossflow</p>

Johnson / Evinrude

POWERHEAD WATER PASSAGE COVER GASKETS

<p>No. 34580 OEM: 329920</p>  <p>9.9, 15 HP</p>	<p>No. 33560 OEM: 319665</p>  <p>25, 35 HP</p>	<p>No. 33700 OEM: 327674</p>  <p>25, 35 HP</p>	<p>No. 34780 OEM: 315538</p>  <p>50, 55 HP</p>
<p>No. 36640 OEM: 318962</p>  <p>2-Cyl. Loopcharged</p>	<p>No. 33530 OEM: 318335</p>  <p>V4</p>	<p>No. 34310 OEM: 318609</p>  <p>3-Cyl.</p>	<p>No. 34370 OEM: 321028</p>  <p>V6</p>
<p>No. 86214 REGULATOR MOUNT GASKET OEM: 3010036</p>  <p>60° V4/V6 (1997-2000)</p>		<p>No. 36540 REGULATOR MOUNT GASKET OEM: 342291</p>  <p>60° V4/V6</p>	<p>No. 35470 REGULATOR MOUNT GASKET OEM: 344472</p>  <p>90° V4/V6</p>
<p>No. 34870 OEM: 317951</p>  <p>V4/V6</p>	<p>No. 34450 OEM: 322858</p>  <p>V4/V6</p>	<p>No. 35760 OEM: 333564</p>  <p>90° V6 Loopcharged</p>	
<h2>POWERHEAD TRANSFER PORT GASKETS - CROSSFLOW ENGINES</h2>			
<p>No. 34990 OEM: 319332</p>  <p>9.9, 15 HP</p>	<p>No. 34340 OEM: 319661</p>  <p>25, 35 HP</p>	<p>No. 36630 OEM: 304784</p>  <p>2-Cyl.</p>	<p>No. 33280 OEM: 307133</p>  <p>90° V4</p>

Johnson / Evinrude

CARBURETOR TO INTAKE MANIFOLD GASKETS

No. 33740

CARB. TO MANIFOLD
GASKET
OEM: 325092



No. 34980

CARB. TO MANIFOLD
GASKET
OEM: 318932



No. 35750

THROTTLE BODY
TO MANIFOLD
OEM: 332319



No. 33460

CARB. TO MANIFOLD
GASKET
OEM: 315052



V4

No. 34540

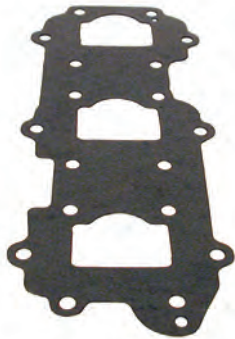
CARB. TO MANIFOLD
GASKET
OEM: 327707



V4/V6

No. 34530

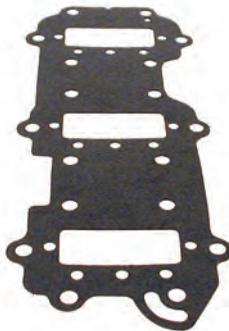
CARB. TO MANIFOLD GASKET
OEM: 326926



3-Cyl.

No. 34860

CARB. TO MANIFOLD GASKET
OEM: 317305



3-Cyl.

No. 36620

THROTTLE BODY GASKET
OEM: 344526



60° EFI

No. 86211

PORT INTAKE TO CARB.
GASKET
OEM: 335818



60° V4

No. 86212

STBD. INTAKE TO CARB.
GASKET
OEM: 335819



60° V4

No. 86650

PORT INTAKE TO CARB.
GASKET
OEM: 335403



60° V6

No. 86651














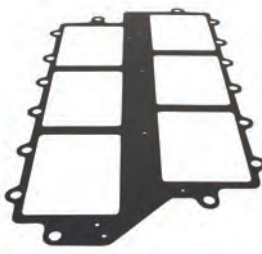
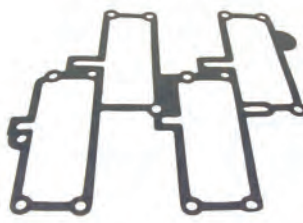
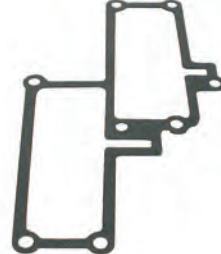




STBD. INTAKE TO CARB.
GASKET
OEM: 335404



60° V6

Johnson / Evinrude

INTAKE MANIFOLD GASKETS / REED PLATE GASKETS

<p>No. 34970 REED PLATE GASKET OEM: 318924</p>  <p>9.9, 15 HP</p>	<p>No. 35320 REED PLATE GASKET OEM: 325260</p>  <p>9.9, 15 HP</p>	<p>No. 34390 REED PLATE GASKET OEM: 321479</p>  <p>25, 35 HP</p>	<p>No. 33090 REED PLATE GASKET OEM: 326260</p>  <p>25, 35 HP</p>
<p>No. 36660 REEDPLATE GASKET OEM: 311364</p> 	<p>No. 36670 REEDPLATE GASKET OEM: 311365</p> 	<p>No. 34790 INTAKE MANIFOLD GASKET OEM: 315578</p>  <p>2-Cyl. Loopcharged</p>	<p>No. 35800 INTAKE MANIFOLD GASKET OEM: 335633</p>  <p>2-Cyl. Loopcharged</p>
<p>No. 35400 REED BOX GASKET OEM: 328626</p>  <p>90° V4/V6 Loopcharged</p>	<p>No. 35740 REED BOX GASKET OEM: 332266</p>  <p>90° V4/V6 Loopcharged</p>	<p>No. 33660 REED BOX GASKET OEM: 321907</p>  <p>90° V4/V6 Crossflow</p>	<p>No. 36650 REED PLATE OEM: 317254</p>  <p>2-Cyl. Crossflow</p>
<p>No. 33180 INTAKE MANIFOLD GASKET OEM: 319174</p>  <p>90° V4 Crossflow</p>	<p>No. 33610 INTAKE MANIFOLD GASKET OEM: 329718</p>  <p>90° V6 Crossflow</p>	<p>No. 35390 INTAKE MANIFOLD GASKET OEM: 328622</p>  <p>90° V4/V6 Loopcharged</p>	<p>No. 35540 INTAKE MANIFOLD GASKET OEM: 331532</p>  <p>90° V6 Loopcharged</p>
<p>No. 36520 PORT INTAKE MANIFOLD GASKET OEM: 336388</p>  <p>60° V4</p>	<p>No. 36530 STARBOARD INTAKE MANIFOLD GASKET OEM: 336389</p>  <p>60° V4</p>	<p>No. 36570 PORT INTAKE MANIFOLD GASKET OEM: 336226</p>  <p>60° V6</p>	<p>No. 36580 STARBOARD INTAKE MANIFOLD GASKET OEM: 336227</p>  <p>60° V6</p>

Johnson / Evinrude

AIR SILENCER GASKETS

No. 34480

AIR SILENCER GASKET
OEM: 323338



25, 35 HP

No. 36550

AIR SILENCER GASKET
OEM: 336821



No. 37800

AIR SILENCER GASKET
OEM: 338882



No. 33750

AIR SILENCER GASKET
OEM: 386573, 319771



No. 35180

AIR SILENCER GASKET
OEM: 321497



No. 34420

AIR SILENCER GASKET
OEM: 333008



3-Cyl.

No. 34640

AIR SILENCER GASKET
OEM: 314115



70, 75 HP

No. 35380

AIR SILENCER GASKET
OEM: 328604



No. 35490

AIR SILENCER GASKET
OEM: 330909



No. 35000

AIR SILENCER GASKET
OEM: 320679



No. 35480

AIR SILENCER GASKET
OEM: 330698



No. 34430

AIR SILENCER GASKET
OEM: 321794



3-Cyl.

No. 33630

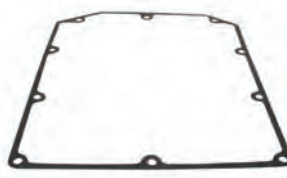
AIR SILENCER GASKET
OEM: 321722



V4

No. 34380

AIR SILENCER GASKET
OEM: 321183



V6

No. 34740

AIR SILENCER GASKET
OEM: 314322



70, 75 HP

No. 35350

COVER TO BASE GASKET
OEM: 327236



V6

No. 35730

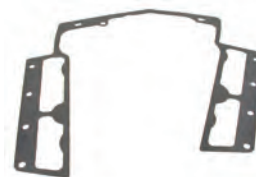
COVER TO BASE GASKET
OEM: 331598



V6

No. 35500

COVER TO BASE GASKET
OEM: 331101



V4

Section 15

Johnson / Evinrude Oil Seals Shaft & Bore Size, O-Ring Size Chart

Oil Seals Shaft & Bore Size 174
O-Ring Size Chart 175

Johnson / Evinrude

OIL SEALS SHAFT & BORE SIZE

GLM	OEM	Shaft Size	Bore Size	GLM	OEM	Shaft Size	Bore Size
Table By OEM Numbers							
86530	302564	0.7813	1.3750	86200	321928	0.6250	1.3750
86360	303345	0.5625	1.0000	86510	324639	0.4375	0.9375
86380	305987	1.0000	1.3750	86750	326716	0.7500	1.3750
86370	309989	1.3750	2.0000	86450	327031	0.4375	0.8750
85110	310599	1.0000	1.5000	86240	329922	0.8750	1.3750
86040	310649	2.5000	3.0000	86250	329923	0.8750	1.3750
86390	313282	0.5540	1.0625	86030	330137	1.1250	1.6250
86740	313283	0.8125	1.3125	86270	330327	0.6250	1.1250
86410	313284	0.6250	1.1250	86790	331103	1.1250	1.6250
86050	313353	1.9375	2.4375	86460	332205	0.7500	1.1250
85010	313392	1.1875	1.8750	86520	332261	0.6250	1.3750
86012	314281	1.2500	1.6875	86470	332942	1.6250	2.0625
86400	314167	0.4219	0.9375	86810	334950	1.2500	1.6875
86120	318972	0.5000	0.8750	86440	339620	1.6250	2.1250
85130	320862	1.1875	1.6875	86011	341280	0.8750	1.3750
85120	321453	0.8750	1.2500	86013	342786	0.7500	1.1875
86150	321459	0.6250	1.1250	86590	908855	0.6250	1.0000
86160	321466	0.7500	1.1250	86070	911019	1.0000	2.5000
86060	321467	1.0000	1.3750	86530	911685	2.0000	2.5000
86170	321480	0.5000	1.2500	86550	911788	1.0000	1.3750
86180	321481	0.6875	1.2500	86560	911785	1.3750	2.1875
86420	321786	0.6250	1.1250	86010	981195	1.5000	2.1250
86190	321787	0.6250	1.1250	86080	981196	1.7500	2.5000
86430	321788	0.5000	1.0000	86090	981268	1.6250	2.5000
86760	321831	0.7500	1.2500	86560	3852548	1.3750	2.1875
86770	321895	1.6250	1.9219	86610	3853655	0.5000	0.9062
Table By Shaft Size							
86400	314167	0.4219	0.9375	86011	341280	0.8750	1.3750
86450	327031	0.4375	0.8750	86240	329922	0.8750	1.3750
86510	324639	0.4375	0.9375	86250	329923	0.8750	1.3750
86120	318972	0.5000	0.8750	85110	310599	1.0000	1.5000
86170	321480	0.5000	1.2500	86060	321467	1.0000	1.3750
86430	321788	0.5000	1.0000	86070	911019	1.0000	2.5000
86610	3853655	0.5000	0.9062	86380	305987	1.0000	1.3750
86390	313282	0.5540	1.0625	86550	911788	1.0000	1.3750
86360	303345	0.5625	1.0000	86030	330137	1.1250	1.6250
86410	313284	0.6250	1.1250	86790	331103	1.1250	1.6250
86150	321459	0.6250	1.1250	85010	313392	1.1875	1.8750
86190	321787	0.6250	1.1250	85130	320862	1.1875	1.6875
86200	321928	0.6250	1.3750	86012	314281	1.2500	1.6875
86270	330327	0.6250	1.1250	86810	334950	1.2500	1.6875
86420	321786	0.6250	1.1250	86370	309989	1.3750	2.0000
86520	332261	0.6250	1.3750	86560	911785	1.3750	2.1875
86590	908855	0.6250	1.0000	86560	3852548	1.3750	2.1875
86180	321481	0.6875	1.2500	86010	981195	1.5000	2.1250
86160	321466	0.7500	1.1250	86090	981268	1.6250	2.5000
86460	332205	0.7500	1.1250	86440	339620	1.6250	2.1250
86013	342786	0.7500	1.1875	86470	332942	1.6250	2.0625
86750	326716	0.7500	1.3750	86770	321895	1.6250	1.9219
86760	321831	0.7500	1.2500	86080	981196	1.7500	2.5000
86530	302564	0.7813	1.3750	86050	313353	1.9375	2.4375
86740	313283	0.8125	1.3125	86530	911685	2.0000	2.5000
85120	321453	0.8750	1.2500	86040	310649	2.5000	3.0000



Johnson / Evinrude

O-RING SIZE CHART

GLM	OEM	I.D.	O.D.	W.	GLM	OEM	I.D.	O.D.	W.	GLM	OEM	I.D.	O.D.	W.
Table By OEM Numbers														
80120	202893	3/8	1/2	1/16	81230	309731	1 3/16	1 3/8	3/32	81140	329380	5/8	13/16	3/32
81070	301824	7/32	13/32	3/32	82250	310327	1 7/8	2 1/8	1/8	81100	329381	3/8	9/16	3/32
45230	301877	31/128	73/128	21/128	82390	310414	3 5/8	3 7/8	1/8	80100	332583	1/4	3/8	1/16
81170	301967	13/16	1	3/32	82100	310584	3/4	1	1/8	80100	332584	1/4	3/8	1/16
82260	302337	2	2 1/4	1/8	81160	310585	3/4	15/16	3/32	81080	333572	1/4	7/16	3/32
82170	302493	1 3/16	1 7/16	1/8	81160	310967	3/4	15/16	3/32	81540	335523	3 3/4	3 15/16	3/32
81260	302537	1 3/8	1 9/16	3/32	80180	311338	3/4	7/8	1/16	81450	338518	2 9/16	2 3/4	3/32
82140	302540	1	1 1/4	1/8	82480	313175	4 3/4	5	1/8	81300	338522	1 5/8	1 13/16	3/32
82240	302588	1 3/4	2	1/8	81310	313340	1 11/16	1 7/8	3/32	81120	339543	1/2	11/16	3/32
81100	303067	3/8	9/16	3/32	82370	313446	3 3/8	3 5/8	1/8	82360	553126	3 1/4	3 1/2	1/8
80110	303191	5/16	7/16	1/16	81340	313754	1 7/8	2 1/16	3/32	81220	554545	1 1/8	1 5/16	3/32
81110	303347	7/16	5/8	3/32	80220	314491	1	1 1/8	1/16	81550	908194	4	4 3/16	3/32
82150	303360	1 1/16	1 5/16	1/8	81380	314728	2 1/8	2 5/16	3/32	81440	908383	2 1/2	2 11/16	3/32
80140	304174	1/2	5/8	1/16	80100	317178	1/4	3/8	1/16	81140	909047	5/8	13/16	3/32
82400	305123	3 3/4	4	1/8	45200	318372	8 mm	16 mm	4 mm	41120	909048	1/2	11/16	3/32
82080	305146	5/8	7/8	1/8	83250	318717	1 1/2	1 7/8	3/16	42140	909139	1	1 1/4	1/8
82030	305242	5/16	9/16	1/8	83200	319085	1 1/8	1 1/2	3/16	80230	909140	1 1/16	1 3/16	1/16
82230	305270	1 5/8	1 7/8	1/8	81330	319662	1 3/4	1 15/16	3/32	81280	909316	1 1/2	1 11/16	3/32
80100	305739	1/4	3/8	1/16	82130	320140	15/16	1 3/16	1/8	81090	909747	5/16	1/2	3/32
82310	307082	2 5/8	2 7/8	1/8	82320	320303	2 3/4	3	1/8	82520	910238	5 1/4	5 1/2	1/8
80130	307450	7/16	9/16	1/16	80080	321117	3/16	5/16	1/16	82250	910582	1 7/8	2 1/8	1/8
80090	307853	7/32	11/32	1/16	81250	322501	1 5/16	1 1/2	3/32	80100	911311	1/4	3/8	1/16
82350	308621	3 1/8	3 3/8	1/8	80090	322598	7/32	11/32	1/16	82380	911686	3 1/2	3 3/4	1/8
81290	308458	1 9/16	1 3/4	3/32	81140	326649	5/8	13/16	3/32	82430	911700	4 1/8	4 3/8	1/8
81190	308624	15/16	1 1/8	3/32	82460	326741	4 1/2	4 3/4	1/8	81210	911718	1 1/16	1 1/4	3/32
81270	308626	1 7/16	1 5/8	3/32	82440	326849	4 1/4	4 1/2	1/8	81230	911871	1 3/16	1 3/8	3/32
82280	308627	2 1/4	2 1/2	1/8	45230	326956	31/128	73/128	21/128	81180	3852565	7/8	1 1/16	3/32
81400	308876	2 1/4	2 7/16	3/32	81250	331188	1 5/16	1 1/2	3/32					
Table By Nominal Size														
80080	321117	3/16	5/16	1/16	81170	301967	13/16	1	3/32	82140	302540	1	1 1/4	1/8
80090	307853	7/32	11/32	1/16	81180	3852565	7/8	1 1/16	3/32	82150	303360	1 1/16	1 5/16	1/8
80090	322598	7/32	11/32	1/16	81190	308624	15/16	1 1/8	3/32	82170	302493	1 3/16	1 7/16	1/8
80100	305739	1/4	3/8	1/16	81210	911718	1 1/16	1 1/4	3/32	82230	305270	1 5/8	1 7/8	1/8
80100	317178	1/4	3/8	1/16	81220	554545	1 1/8	1 5/16	3/32	82240	302588	1 3/4	2	1/8
80100	332583	1/4	3/8	1/16	81230	309731	1 3/16	1 3/8	3/32	82250	310327	1 7/8	2 1/8	1/8
80100	332584	1/4	3/8	1/16	81230	911871	1 3/16	1 3/8	3/32	82250	910582	1 7/8	2 1/8	1/8
80100	911311	1/4	3/8	1/16	81250	322501	1 5/16	1 1/2	3/32	82260	302337	2	2 1/4	1/8
80110	303191	5/16	7/16	1/16	81260	302537	1 3/8	1 9/16	3/32	82280	308627	2 1/4	2 1/2	1/8
80120	202893	3/8	1/2	1/16	81270	308626	1 7/16	1 5/8	3/32	82310	307082	2 5/8	2 7/8	1/8
80130	307450	7/16	9/16	1/16	81280	909316	1 1/2	1 11/16	3/32	82320	320303	2 3/4	3	1/8
80140	304174	1/2	5/8	1/16	81290	308458	1 9/16	1 3/4	3/32	82350	308621	3 1/8	3 3/8	1/8
80180	311338	3/4	7/8	1/16	81300	338522	1 5/8	1 13/16	3/32	82360	553126	3 1/4	3 1/2	1/8
80220	314491	1	1 1/8	1/16	81310	313340	1 11/16	1 7/8	3/32	82370	313446	3 3/8	3 5/8	1/8
80230	909140	1 1/16	1 3/16	1/16	81330	319662	1 3/4	1 15/16	3/32	82380	911686	3 1/2	3 3/4	1/8
41120	909048	1/2	11/16	3/32	81340	313754	1 7/8	2 1/16	3/32	82390	310414	3 5/8	3 7/8	1/8
81070	301824	7/32	13/32	3/32	81380	314728	2 1/8	2 5/16	3/32	82400	305123	3 3/4	4	1/8
81080	333572	1/4	7/16	3/32	81400	308876	2 1/4	2 7/16	3/32	82430	911700	4 1/8	4 3/8	1/8
81090	909747	5/16	1/2	3/32	81440	908383	2 1/2	2 11/16	3/32	82440	326849	4 1/4	4 1/2	1/8
81100	303067	3/8	9/16	3/32	81450	338518	2 9/16	2 3/4	3/32	82460	326741	4 1/2	4 3/4	1/8
81100	329381	3/8	9/16	3/32	81540	335523	3 3/4	3 15/16	3/32	82480	313175	4 3/4	5	1/8
81110	303347	7/16	5/8	3/32	81550	908194	4	4 3/16	3/32	82520	910238	5 1/4	5 1/2	1/8
81120	339543	1/2	11/16	3/32	42140	909139	1	1 1/4	1/8	45230	301877	31/128	73/128	21/128
81140	326649	5/8	13/16	3/32	82030	305242	5/16	9/16	1/8	45230	326956	31/128	73/128	21/128
81140	329380	5/8	13/16	3/32	82080	305146	5/8	7/8	1/8	83200	319085	1 1/8	1 1/2	3/16
81140	909047	5/8	13/16	3/32	82100	310584	3/4	1	1/8	83250	318717	1 1/2	1 7/8	3/16
81160	310585	3/4	15/16	3/32	82130	320140	15/16	1 3/16	1/8	45200	318372	8 mm	16 mm	4 mm
81160	310967	3/4	15/16	3/32	81250	331188	1 5/16	1 1/2	3/32					

* Quad Ring

Limited Warranty of GLM Products, Inc.

1. This product of GLM Products, Inc. ("GLM") is warranted to be free from defects in material and workmanship for a period of two years from the date of purchase for aluminum elbow/manifold and all other GLM parts and accessories, three years from the date of purchase for cast iron elbow/manifold. Products used for commercial, rental, or income producing activity are warranted for a period of ninety (90) days. Only a person who has proof of purchase of the GLM product will receive warranty service.
2. GLM does not warrant or make any representations in respect to installation errors made by a servicing dealer, servicing mechanic, or the individual. This warranty applies to defects in material and workmanship only, it does not apply to the following: alteration, removal of parts, adjustments, tune-ups, normal wear, damages due to accident, improper installation or service, misuse, neglect, lack of maintenance, use of any accessory or part not manufactured or sold by GLM, operation with fuels, oils, or lubricants which are not suitable for use with the product, water entering engine cylinder through exhaust system or carburetor, participation in or preparing for racing or other competitive activity or operating with a racing type lower unit. GLM's liability under this warranty shall be terminated on any part damaged by flood, fire, storm, or other natural acts or where the model number and other identification has been altered, defaced or removed.
3. GLM will not be liable for any labor charges and incidental, consequential (such as loss of business), special or indirect damages resulting from the product or caused by the defect or reasonable delay in correcting the defect are not covered under the warranty.
4. GLM reserves the right to inspect and determine whether or not any part has failed due to a defect in material or workmanship. **Do not disassemble any parts including drive units that have been assembled by GLM. GLM's obligation shall be limited to repairing, replacing or crediting the product determined to be defective, at GLM's sole discretion:** GLM reserves the right to credit refund your purchase price for the product rather than repair or replace the product, or any part thereof. Any part is covered only for the original warranty period. Once the warranty on the product has expired, the warranty on any replaced or repaired part also expires. GLM shall be allowed to keep parts it deems defective under this warranty.
5. **ALL WARRANTIES BY AND FROM GLM, EXPRESS OR IMPLIED, INCLUDING WITHOUT LIMITATION IMPLIED WARRANTIES OF MERCHANTABILITY AND FITNESS FOR A PARTICULAR PURPOSE, ARE LIMITED IN DURATION TO THE DURATION OF THIS WARRANTY FOR THE PRODUCT INVOLVED. GLM DOES NOT WARRANT, GUARANTEE OR MAKE ANY REPRESENTATIONS REGARDING THE USE OR THE RESULTS OF THE USE OF THE PRODUCT IN TERMS OF ITS CORRECTNESS, RELIABILITY OR OTHERWISE. THE ENTIRE RISK AS TO THE RESULT AND PERFORMANCE OF THE PRODUCT IS ASSUMED BY YOU. IN NO EVENT WILL GLM, OR ITS RESPECTIVE DIRECTORS, OFFICERS, EMPLOYEES OR AGENTS (COLLECTIVELY, "GLM") BE LIABLE TO YOU FOR ANY CONSEQUENTIAL, INCIDENTAL, SPECIAL OR INDIRECT DAMAGES (INCLUDING DAMAGES FOR LOSS OF BUSINESS PROFITS, BUSINESS INTERRUPTION, LOSS OF BUSINESS INFORMATION AND THE LIKE) ARISING OUT OF THE USE OR INABILITY TO USE THE PRODUCT.** GLM's liability to you for actual damages from any cause whatsoever, and regardless of the form of the action (whether in contract, tort (including negligence), product liability or otherwise), will be limited to the purchase price paid for the product. No GLM dealer, agent or employee is authorized to make any modification or extension to this warranty. Because some states do not allow the exclusion of implied warranties and/or the exclusion or limitation of liability for consequential or incidental damages, the above limitations may not apply to you. This warranty gives you specific legal rights, and you may have other rights which vary from state to state.
6. You are required to notify GLM of any defect within the applicable warranty period and immediately obtain from GLM or its distributor a warranty application and a GLM RGA number. Upon GLM's receipt of the completed warranty application and part claimed under this warranty (with the GLM RGA number marked on the shipping and packaging of the part), GLM will inspect the part for warranty coverage. Only when the defect is covered by the warranty will the part be repaired or replaced, at GLM's sole option. If warranty service is required, you must deliver your product, at your expense, with proof-of-purchase (including original purchase invoice and invoice for installation of warranted part) to GLM for repair. Service is provided by GLM at its corporate headquarters at 705 Los Angeles Avenue, Monrovia, California 91016, Tel: (626) 357-0077, Fax: (626) 357-0600. When repair is completed, GLM will ship back to its indicated address. Shipping methods will be determined by GLM.
7. This warranty comprises the sole and entire warranty pertaining to the product furnished to you by GLM, and GLM makes no other warranty, guarantee or representation of any kind whatsoever pertaining to the product. Any other representations, or promises by any person are unauthorized and are not binding upon GLM unless in writing.

Warranty Service Procedure

1. GLM will directly and promptly approve and honor legitimate warranty claims on product only under the condition that the claim is made through a servicing Dealer. ****Do not disassemble any parts including drive units that have been assembled by GLM.****
2. GLM will credit or reimburse the Dealer for qualified warranty claims submitted that comply to GLM identified warranty policies.

ANY CLAIM UNDER GLM'S WARRANTY (Please see Limited Warranty of GLM Products) SHALL BE IN WRITING TO GLM PRODUCTS, INC. WITHIN THE WARRANTY PERIOD. TO ASSURE FAST AND EFFICIENT SERVICE PLEASE SHIP ALL WARRANTY PART(S) AND DOCUMENTATION DIRECTLY TO GLM. ALL WARRANTY CLAIM PRODUCTS MUST BE SHIPPED FREIGHT PREPAID TO GLM FOR WARRANTY INSPECTION. (FREIGHT CHARGES WILL BE REIMBURSED ONLY UPON APPROVAL ON WARRANTY)

1. All returns must have a GLM "RGA #" assigned (contact GLM directly for the "Return Goods Authorization #"). It is imperative to indicate this number on outside of all boxes and included on all submitted documentation. No returns will be accepted without an RGA #.
2. All returns must accompany a copy of the completed warranty application. (Application is available at www.glmmarine.com, in the back of each GLM's catalog or through your GLM distributor.)
3. **ALL** parts involved in the claim.
4. Copy of invoices as follows:
 - Original purchase invoice from distributor.
 - Original invoice for installation of warranted parts.
 - Proposed invoice/ work-order to GLM, if any, for warranty claim.NOTE: GLM complies with OEM standard flat hours and rates.
Copies of all invoices for items in above proposed invoice.

Send parcel(s) to:

**GLM Products, Inc. - Warranty
705 Los Angeles Avenue
Monrovia, CA 91016
RGA#**



GLM Products, Inc. Warranty Claim Application

Note: Please fill out all information and send all requested material. Failure to complete this form and supply all requested material will delay your claim. Do not disassemble units that were assembled by GLM. Other applications that used only GLM parts should have just the parts returned to GLM not the complete unit.

RGA # _____
Date Called: _____
Caller Name: _____
Company Name: _____

Contact GLM at 626/357-0077 for a **Returned Goods Authorization #**. All returned goods **must** have an RGA # marked on package (s) or they will be refused. No exceptions.

Ship to: GLM Products, Inc.
705 Los Angeles Avenue
Monrovia, CA 91016

Distributor Information:

Company: _____ Contact: _____ City: _____ State: _____

Dealer Information:

Company: _____ Address: _____ City: _____
State: _____ Zip: _____ Tel: _____ Fax: _____ Contact: _____

Dealer Customer Information:

Name: _____ Address: _____ City: _____
State: _____ Zip: _____ Tel: _____ Fax: _____

Application Details:

Manufacturer: _____ Model: _____ Year: _____
Length: _____ Beam: _____ Engine / Drive: _____ Horse Power: _____

List any modifications to boat or drive system that were not installed by the original manufacturer:

Details of Return: Please list all item (s) being returned and describe detailed reason for warranty claim.

If you need more space for this description please continue on a blank sheet of paper.

Documentation and other items required to process warranty: Please make sure that all items listed are sent with this application. Failure to do so will delay processing this claim.

1. All parts claimed and listed on this application. This is **all parts** being claimed regardless of manufacturer.
2. Copy of invoices as follows:
 - A. Original purchase invoice from Distributor.
 - B. Proposed invoice to GLM from the Dealer for repairs.
 - C. Invoice for installation of warranted parts.
 - D. Invoices for any other items being claimed

Note: GLM reserves the right to credit the Dealer, via the Distributor, for all GLM products involved in this claim.



Superior Marine Manifolds

MerCruiser V6



100% Complete
Conversion Kits

Gaskets & Hardware
Included

MerCruiser GM V6
MerCruiser GM V8 S.B.
MerCruiser GM V8 B.B.
OMC / Volvo Ford V8 (Carb.)
OMC / Volvo Ford V8 (EFI)
Volvo GM V6 th 1993
OMC / Volvo GM V6
OMC / Volvo GM V8 S.B.
Volvo GM V8 to 1991
OMC / Volvo GM V8 S.B.



100% Complete
Manifold Sets

Gaskets & Hardware
Included

4-Cylinder thru V8 B.B.
Manifolds



MerCruiser
OMC
Volvo Penta
Marine Power
Indmar
Barr

Gaskets Included

Dry Joint Alternative
Manifold-Elbow Set

MerCruiser V6



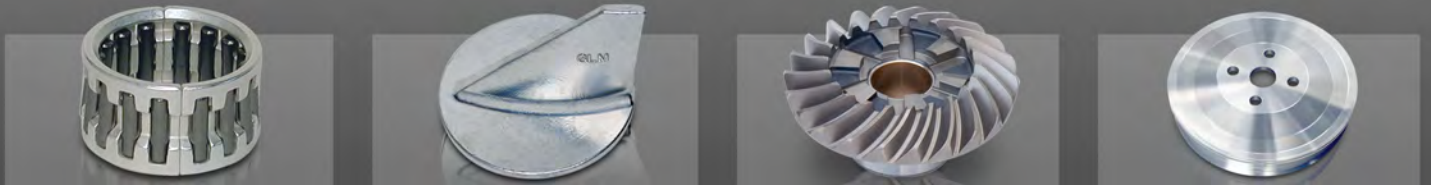
MerCruiser V8



Gaskets & Hardware
Included

and much more!

Over 4,000 Aftermarket Marine Parts



www.glmmarine.com



www.glmmarine.com

For Current Catalogs & Updates

On-line Catalog Series - Mobile - Tablet - Desktop



Master
(Print Version)



Manifolds



MerCruiser



Mercury/Mariner/Force



OMC/Volvo Penta



Johnson/Evinrude



Yamaha



Anodes



GLM Products, Inc.

705 Los Angeles Ave., Monrovia, CA 91016

Tel (626) 357-0077, Fax (626) 357-0600

info@glmmarine.com

Digital Version:
GYJE18V4