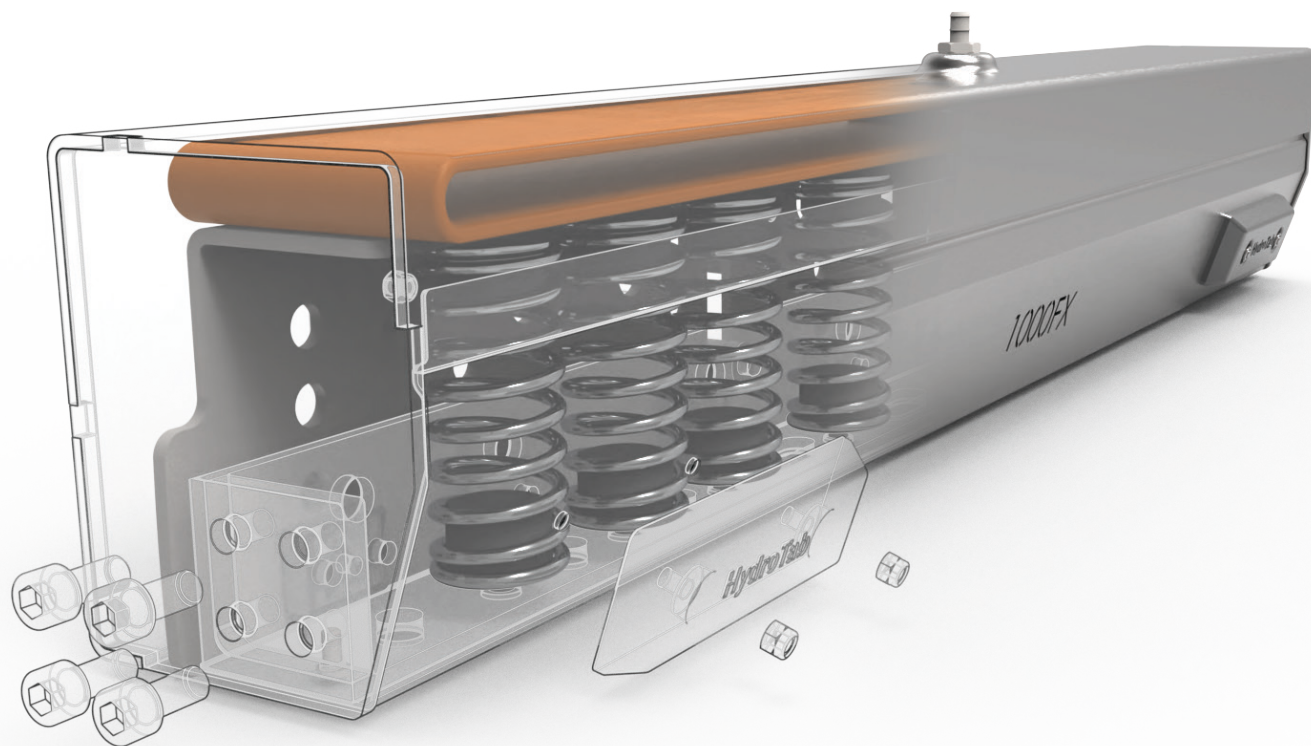
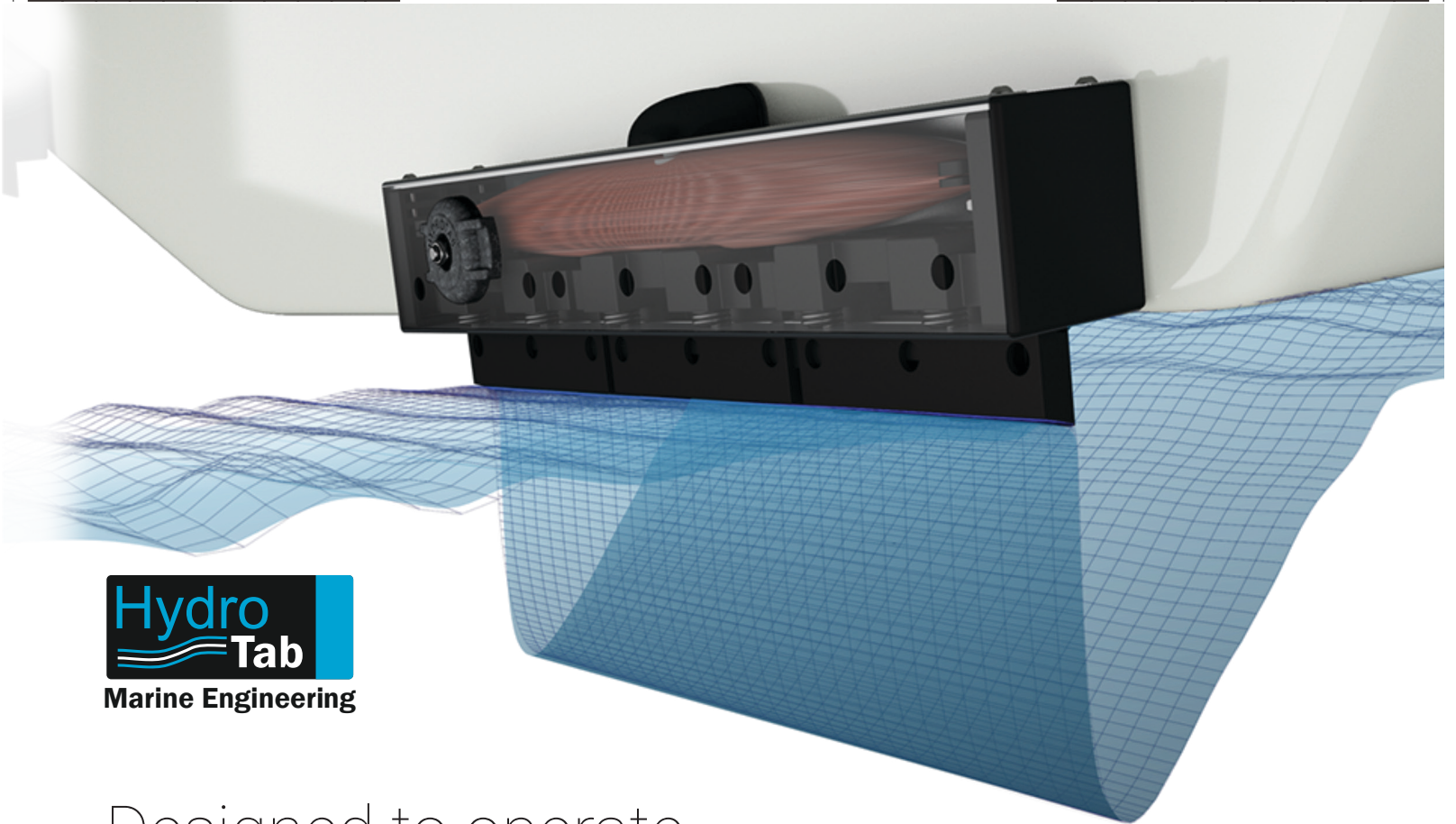


Interceptor Trim Tabs



2021 ver.1





Designed to operate...

HydroTab is an innovative patented trim & stability system designed to optimize boat control even under extreme weather conditions.

HydroTab's innovation is based on its simple mechanics which provides the system with high robustness and durability in the harsh sea environment.

Our trim tab interceptors are made to operate and improve your boat cruising experience.

- Maximum boat control
- High trim and stability performance
- Instant response
- Enhanced fuel economy
- Excellent cruising experience

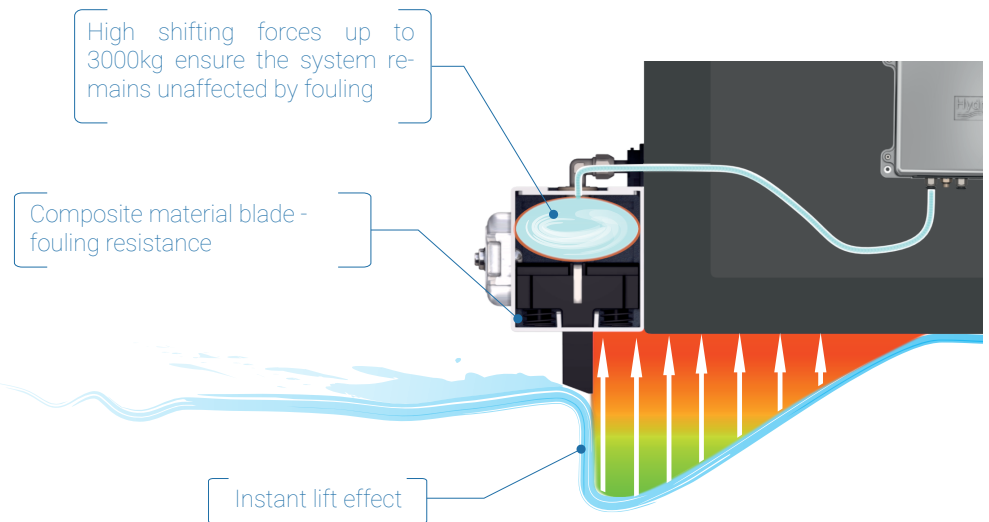


The Operating principle of Hydrotab

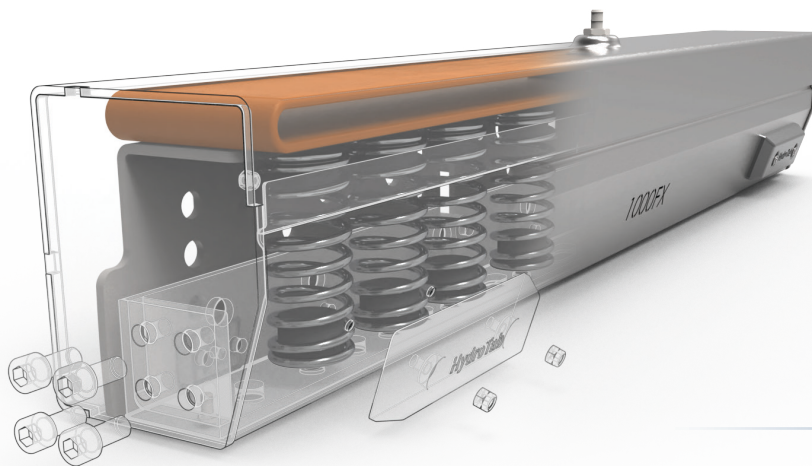
The interceptor's blade, when extended, changes the water flow which creates an area of lift below the hull. This lift force is responsible for changing the angle of the ship, stabilizing it.

The motion of the interceptor is achieved through a high durability bladder which is expanded pneumatically. The lack of any electric, hydraulic or any other damage-susceptible parts, dramatically reduces the chance of failure.

This simple principle allows us to develop a very simple, open to the sea, environmental mechanism without any sealing, which at the same time creates very high shifting forces (10Kgrs per cm of length).



This offers maximum durability against barnacle/marine growth, hits and bumps against floating objects, as well as extreme temperatures shifts.

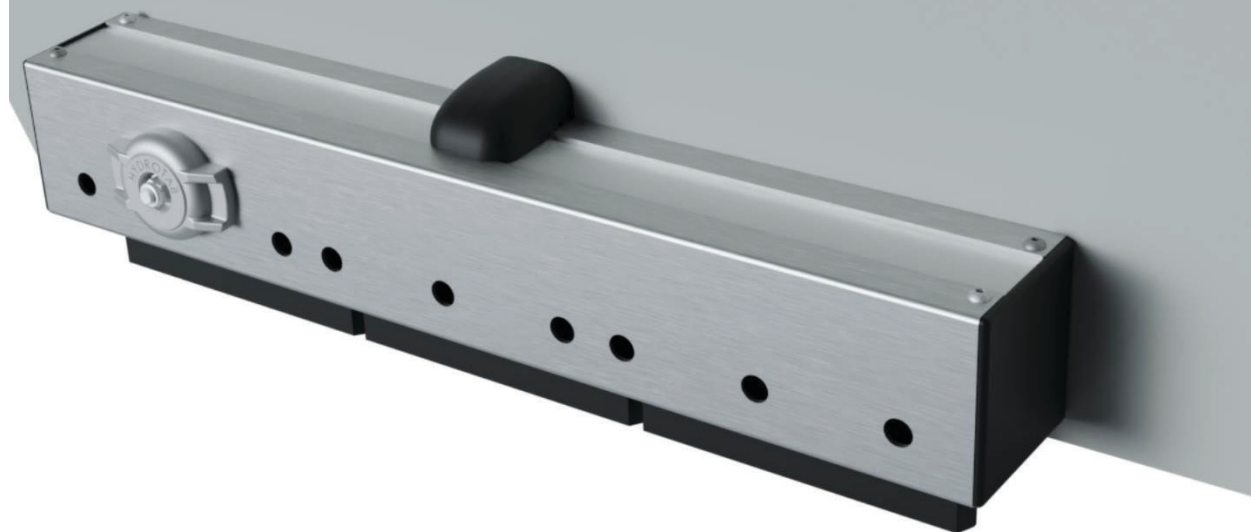


Construction

Hydrotab interceptors are characterized by extreme robustness and total simplicity in construction.

The housing and blades are made of high quality materials, while the air chamber is made of a synthetic multilayer material, highly resistant to high pressure (up to 30bars), and appropriate for sea water.

The innovative design and high quality materials make Hydrotab interceptors reliable and failure free marine equipment.

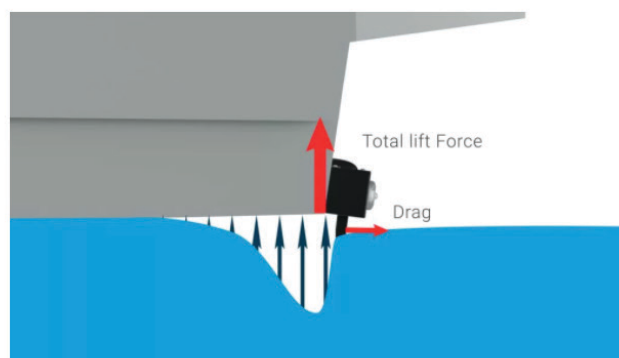
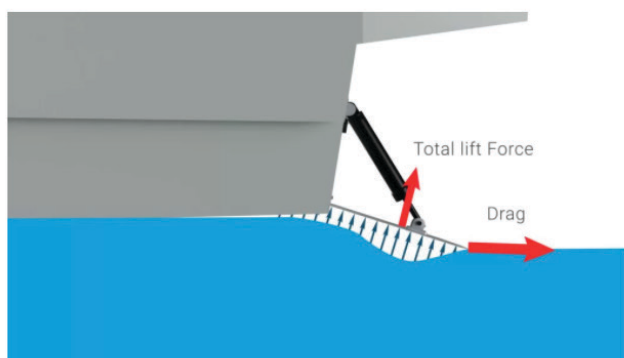


Hydrotab or Trim Tabs?

Find out what makes Hydrotab's Interceptors far superior to traditional trim tabs, and why they are the future of boat stabilization

Efficiency

Conventional Trim Tabs' lift effect is applied in an angle relative to the hull, resulting in loss of lifting force and substantial drag. The sharp but minor (few mm) deployment of Interceptors ensures a greater lift force, vertical to the hull and with less drag due to little loss of work!



Trim Tabs

- Small & off-axis lift effects causes less trimming ability .
- Loss of trimming work due to water flow leakage from the sides
- Substantial drag due to off-axis lift force.

Interceptors

- Sharper water displacement - entire blade surface used for lift .
- No loss of work due to geometry.
- Lift effect is vertical & close to the hull
- Minimal drag forces due to the small blade extension

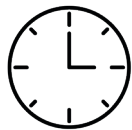


Robustness

Unlike trim tabs and other products, Hydrotab's Interceptors consist of few moving parts which makes it virtually impossible to fail. The compact body and the high shifting forces ensure continuous operation even in situations of extreme fouling.



Speed



Interceptors are much faster than trim tabs and other interceptors, with instant lift effects and quick response times up to 1 second.

Environmentally friendly



Due to being pneumatically operated, our Interceptors don't leak any harmful chemicals into the sea.

Design & Installation



Trim Tabs

- Difficult and time consuming installation .
- Bulky, protruding geometry.
- Potentially dangerous protrusions



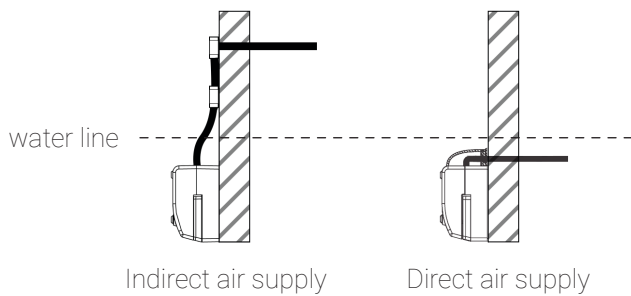
Interceptors

- Compact body & small volume.
- Blends with any hull in style.
- Extremely simple installation.
- No dangerous protrusions.
- Does not obstruct swimming ladders.

SR Series

30mm stroke, 300/450mm length

We proudly present our new composite SR pneumatic trim tabs interceptors series, based on the patented technology of Hydrotab. Composite material and compact eye-catching look without any compromise regarding the robustness and the well-known fail free operation of our interceptors. A product open to the sea without any need of sealing. Seamlessly blends with any transom in style.

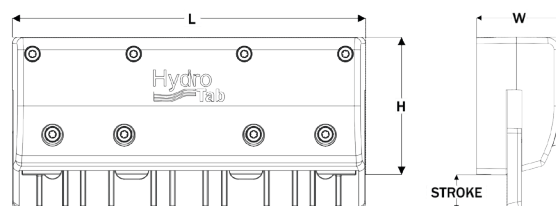


Patented

- Suitable for 16-45ft boats
- 30mm stroke
- Composite, lightweight material

Technical data

SR Series Model	Length (mm)	Width (mm)	Height (mm)	Max Deployment (stroke) (mm)
300SR	300	75	143,5	30
450SR	450	75	143,5	30





BT Series

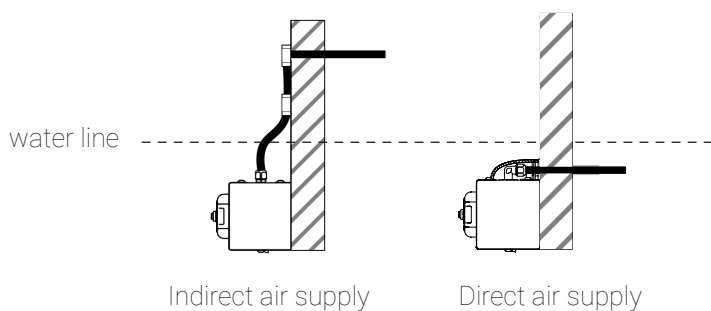
38mm stroke, 160-2000mm length

BT is the compact, INOX-316 body Series of Hydrotab. T-shape design very well balanced operation ensure a reliable fail-free operation and instant improvement of your boat ride. Can be custom made to length, up to 2m.



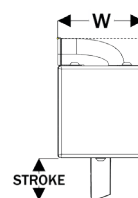
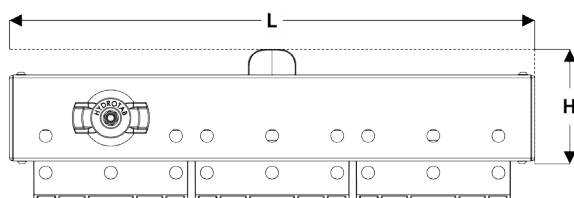
Patented

- 38mm stroke
- 6 different standard models offer great flexibility
- Custom length up to 2m on request



Technical data

SR Series Model	Length (mm)	Width (mm)	Height (mm)	Max Deployment (stroke) (mm)
160BT	210	89	115,5	38
320BT	370	89	115,5	38
480BT	545	89	115,5	38
640BT	700	89	115,5	38
800BT	870	89	115,5	38
960BT	1030	89	115,5	38

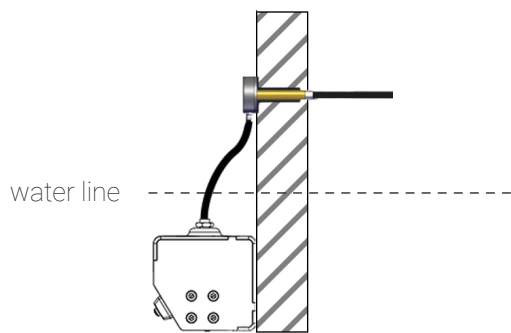


FW Series

45mm stroke, 640-1200mm length

FW is the Heavy Duty Fully INOX-316 Series of Hydrotab. An extended stroke and wider pneumatic bladder, ensures even more efficiency and reliability. The FW Series design allow us to offer solution of custom design following the transom of your vessel.

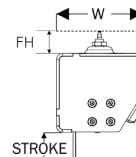
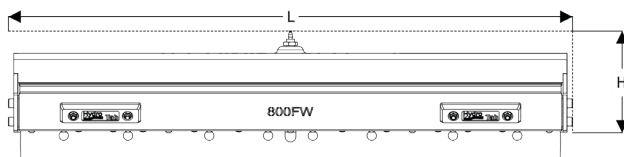
Patented



- Suitable for boat above 30ft
- 45mm stroke
- Easy access and inspection even inside the water
- 4 standard different models offer great flexibility

Technical data

FW Series Model	Length (mm)	Width (mm)	Height (mm)	Max Deployment (stroke) (mm)
640FW	640	120	145	45
700FW	700	120	145	45
800FW	800	120	145	45
1000FW	1000	120	145	45
1100FW	1100	120	145	45
1200FW	1200	120	145	45





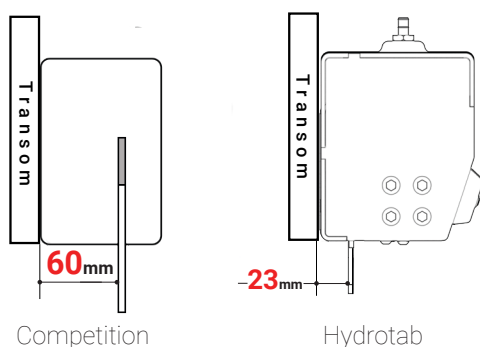
FX Series

60mm stroke, 640-1200mm length

FX is the newest heavy duty, fully INOX-316 Series of Hydrotab interceptors. With the biggest stroke yet, and the blade extremely close to the transom, the FX series provides unparalleled speed and efficiency.



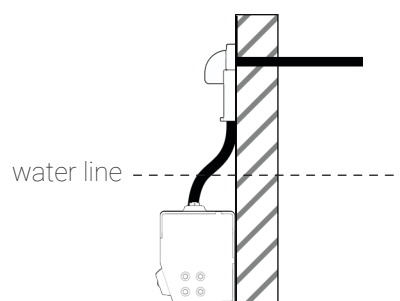
Patented



- Suitable for boat above 30ft
- 60mm stroke
- Blade closer to the hull

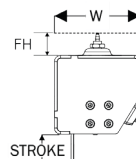
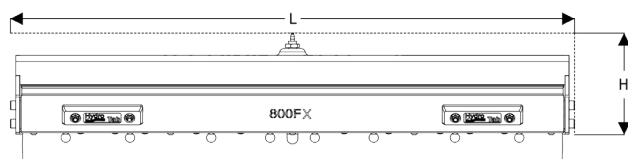
Maximized efficiency design

By placing the blade closer to the hull, we achieve a larger active area due to less water flow leakage from the sides



Technical data

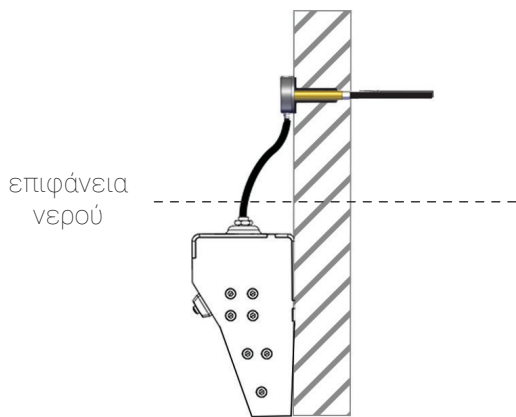
FX Series Model	Length (mm)	Width (mm)	Height (mm)	Max Deployment (stroke) (mm)
700FX	700	134	173	60
800FX	800	134	173	60
1000FX	1000	134	173	60



TS Series

45mm stroke, custom dimensions

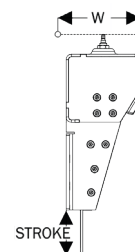
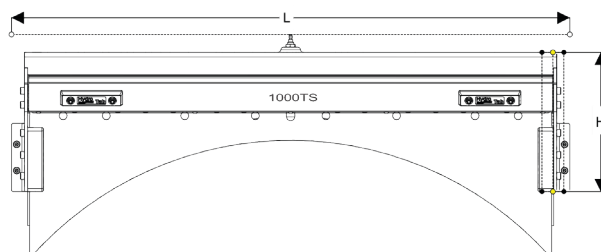
TS Series combines all the advantages and attributes of FW Series on a product designed to fit on tunnel shaped hulls.



- Accommodates tunnel hulls
- Custom blade shape and dimensions.
- 45mm stroke

Technical data

TS Series Model	Length (mm)	Width (mm)	Height (mm)	Max Deployment (stroke) (mm)
640TS	675	120	Depends on tunnel shape	45
700TS	735	120	Depends on tunnel shape	45
800TS	835	120	Depends on tunnel shape	45

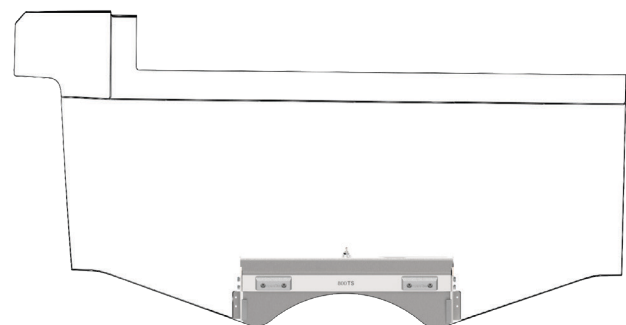


Custom solutions

HydroTab's unique design and technology offer you the possibility to develop a custom sized product that fulfils the specific needs of your boat



HydroTab's custom flaps are ideal for situations involving strakes, angles, curves or tunnels, and can be made to any length and shape!





Moby Controller

Ultrathin wide screen joystick automatic controller

HydroTab Innovates once more presenting Moby. The new ultrathin, wide screen, joystick automatic controller for HydroTab trim tabs interceptors. Designed and manufactured to get the full potential out of your HydroTab interceptors, optimize your boat cruising experience and save fuel.



True NMEA 2K system
no extra cables



Steering Assistance



Auto Roll and Auto
Trim functions



Easy-to-navigate menu



Built-in 10Hz GPS



Large 3.2" TFT
Intelligent Display



Built-in 3D Gyro and
3D Accelerometer



Fully or light loaded
selection function



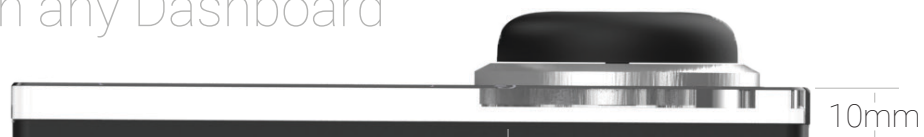
Auto Diagnostics

Operating modes

- Full automatic stabilization
- Auto pitch
- Manual control

Slim Design

Blends with any Dashboard



Developed under NMEA 2000 protocol
Compatible with NMEA 0183



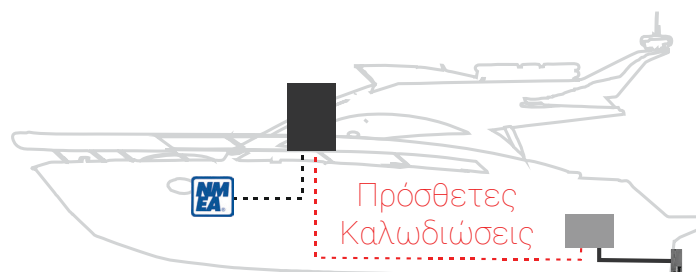


- Ultra thin minimal design that blends with any panel and dashboard
- New innovative joystick system IP68 with no moving parts. Ideal use for waterjet equipped boat
- New streamlined intuitive GUI (Graphic User Interface)
- Scratch proof, antireflective glass screen
- Direct NMEA 2000 backbone installation.
- No need for extra wiring
- Wide, crisp 3,5 inch color screen
- Complete system with integrated-IMU-GPS-Antenna
- Easy data exchange for custom-dashboard applications

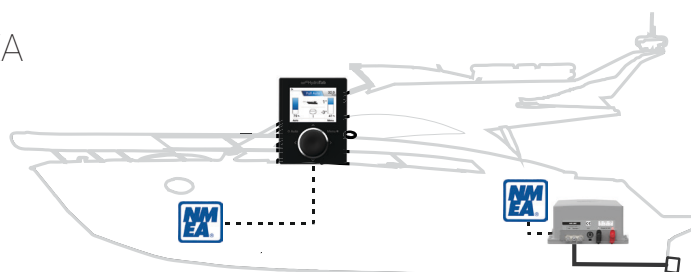


A true NMEA product

Unlike the competition's products that require extra wiring, the Moby controller and the corresponding AirUnit are two independent NMEA devices that connect to an existing network, simplifying the installation.



Άλλα συστήματα φλαπς



Σύστημα φλαπς Hydrotab



3DHC Controller

Ergonomic, manual control of Trim & Roll



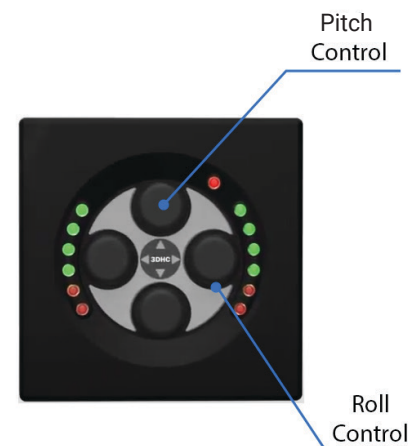
- User friendly operation
- Position indication
- Optimized position storage
- Auto Retraction on engine switch on/off
- Emergency retraction
- Ergonomic design
- Day & Night function

Easy control of your boat

The 3DHC controller allows the complete control of your boat trimming with the simple push of a button, by controlling both interceptors dynamically!

Control the pitch and roll of your boat, and with position indication, position storage and auto-retraction on shut on/off, controlling your your boat ride has never been easier!

Controllers





Ideal for any project



Control your boat in style with the controller system of your choice. Hydrotab offers a wide range of solution from basic affordable rocker switches to high performance, sophisticated Moby Automatic NMEA controller with integrated gyroscope and accelerometer. We provide the ideal solution for any of your projects!



All-in-one package

Choose the perfect system for you, with an all-in-the-box complete, convenient package that comes with anything you need to install the interceptor and controller!

Οι πληροφορίες του καταλόγου ενδέχεται να διαφοροποιηθούν χωρίς προηγούμενη ενημέρωση





www.hydrotab.gr



Olympic Engineering Ltd
4 Papazoglou str, GR 17778
Athens, Greece
TEL: +30 210 48 36 343,5,6
FAX: +30 210 48 36 342
E-mail: info@hydrotab.gr
www.hydrotab.gr

